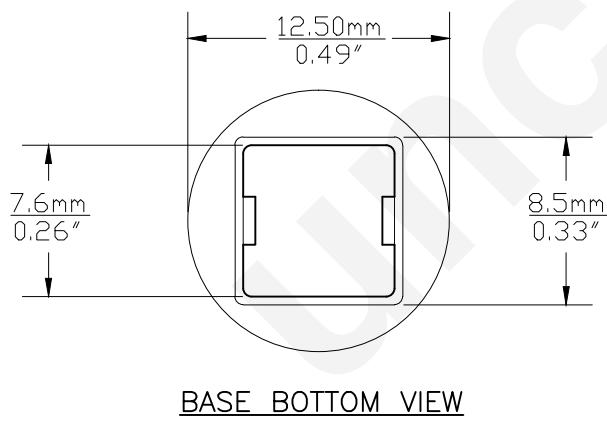
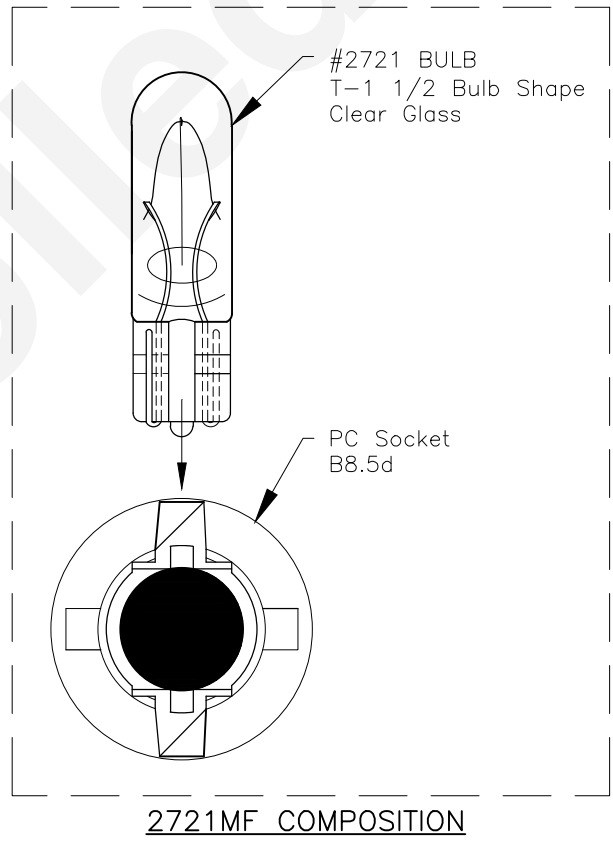
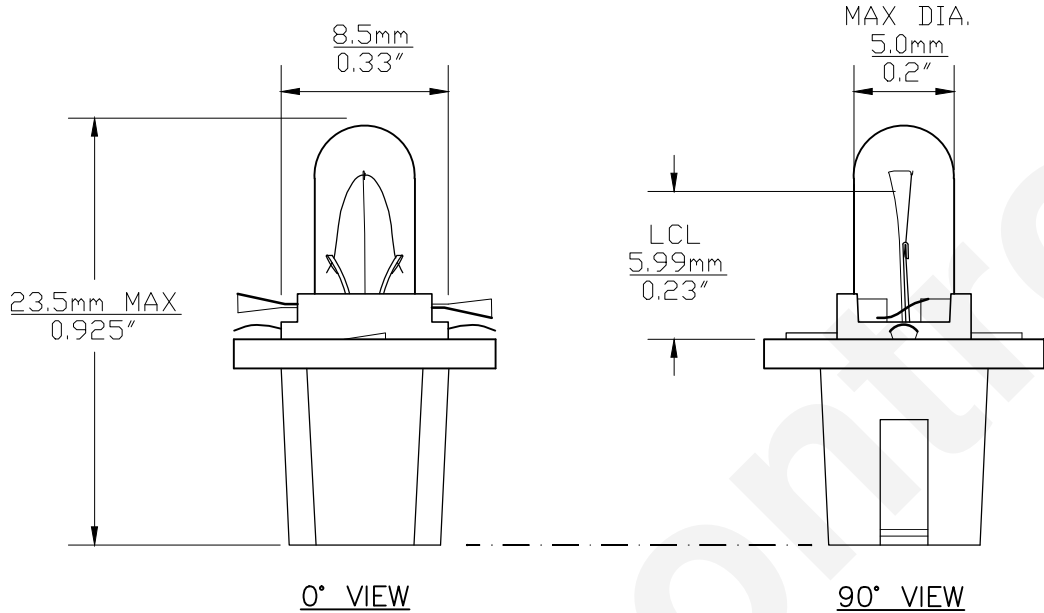




PART NO.	BASE TYPE	DESIGN VOLTS	DESIGN AMPS	MSCD	FILAMENT TYPE	AVERAGE LIFE HOURS
2721MF	PC Socket B8.5d	12.0V	0.1±15%	0.48±30%	C-2V	300

REVISIONS			
REV #	DESCRIPTION	DATE	APPROVED
1	ADDRESS CHANGE	04/11/2007	D.C.
2	REDRAWN FOR ADDITIONAL VIEWS	07/03/2014	R.M.



Note: Made according to SAE specifications

UNLESS OTHERWISE SPECIFIED: DIMENSIONS ARE IN INCHES TOLERANCES		CEC INDUSTRIES LTD	
DECIMALS	ANGULAR	599 BOND STREET LINCOLNSHIRE, IL 60069	
.XX ± .05	± 0.5°		
.XXX ± .010			
FRACTIONAL	± 1/64		
DRAWN ANNA SOLOVEYCHIK	DATE 03/06/2003	TITLE LIGHT BULB NO. 2721MF	
CHECKED		SIZE A	REV 2
DESIGN		FSCM NO.	DWG NO. 2721MF
MATERIAL		SCALE	PLOT SCALE
		FILE 2721MF.pdf	SHEET 1 OF 1
			DRAWING NOT TO SCALE

