

1

2

3

4

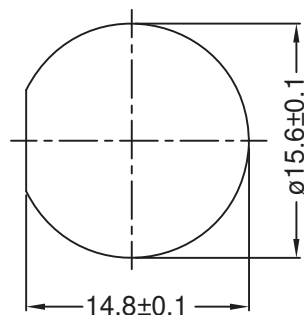
5

6

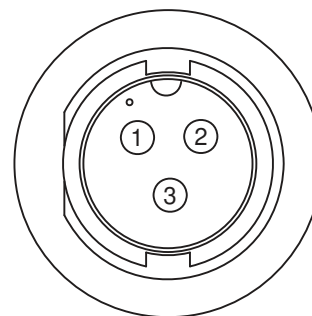
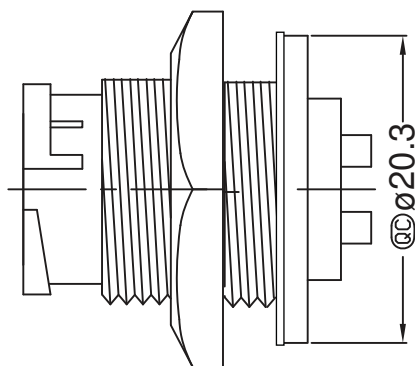
7

A

A



Recommended Panel Cut-Out

Pin Assignments  
Front View

B

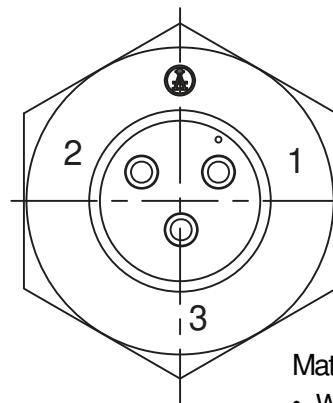
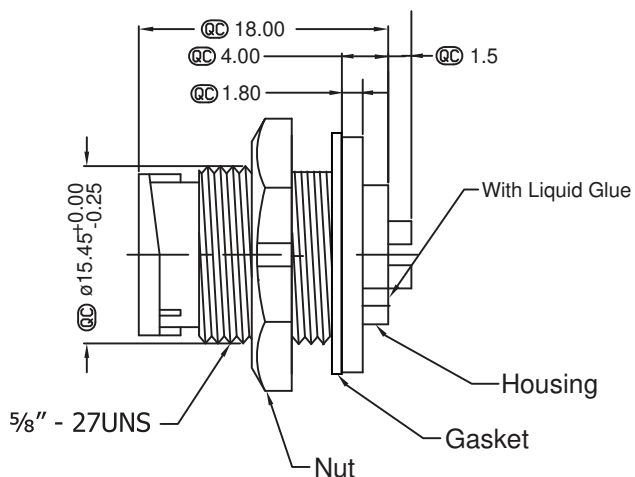
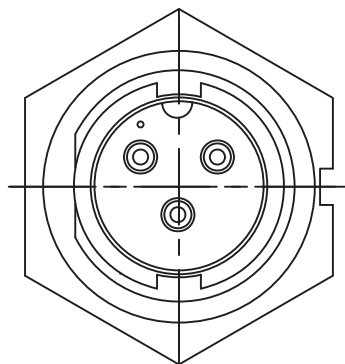
B

C

C

D

D



Material:

- Waterproof Rate: IP67
- Connector: Nylon+GF, Black
- Pin: Copper Alloy, Gold Plated

E

E

F

F

**QC** Quality Control: Important Dimension to check

G

G

|           |       |     |              |      |      |  |          |          |             |   |
|-----------|-------|-----|--------------|------|------|--|----------|----------|-------------|---|
| Scale     | 1:1   |     |              |      |      |  | Date     | Name     | Title       |   |
| TOLERANCE |       |     |              |      |      |  | Drawn    | 06.03.14 | Wilson      | Waterproof Circular connector<br>5A Solder type, Panel mount, Male, 3 pin |
| X.X       | ±0.40 |     |              |      |      |  | Approved | 06.03.14 | Groll       | ASSMANN WSW-No.   |
| X.XX      | ±0.25 |     |              |      |      |  |          |          |             | A-CR-03PMMS-LC-WP   |
| X.XXX     | ±0.15 |     |              |      |      |  |          |          |             | Drawing-No.   |
| DIM       | TOL   |     |              |      |      |  |          |          | ASS 6237 CO | rev00   |
| X.°       | ±3°   |     |              |      |      | Replace  |          |          | Sheet       |   |
| X.X°      | ±X°   |     |              |      |      |  |          |          | 1/1         |   |
| Angle     | TOL   | Id. | Modification | Date | Name | 1840 W. Drake Drive, Suite 101 • Tempe, AZ 85283<br>Toll Free: 1-877-277-6266 • Email: info@assmann.us |          |          |             |   |

Unit: mm



H

H

1

2

3

4

5

6

7