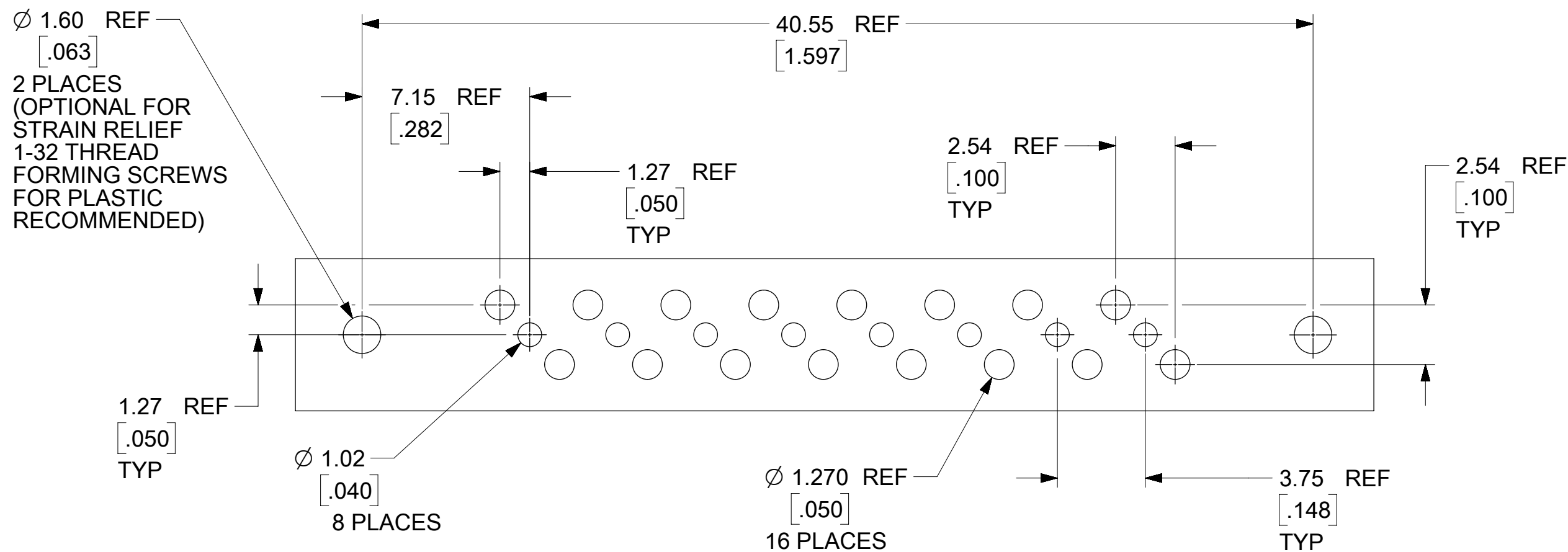
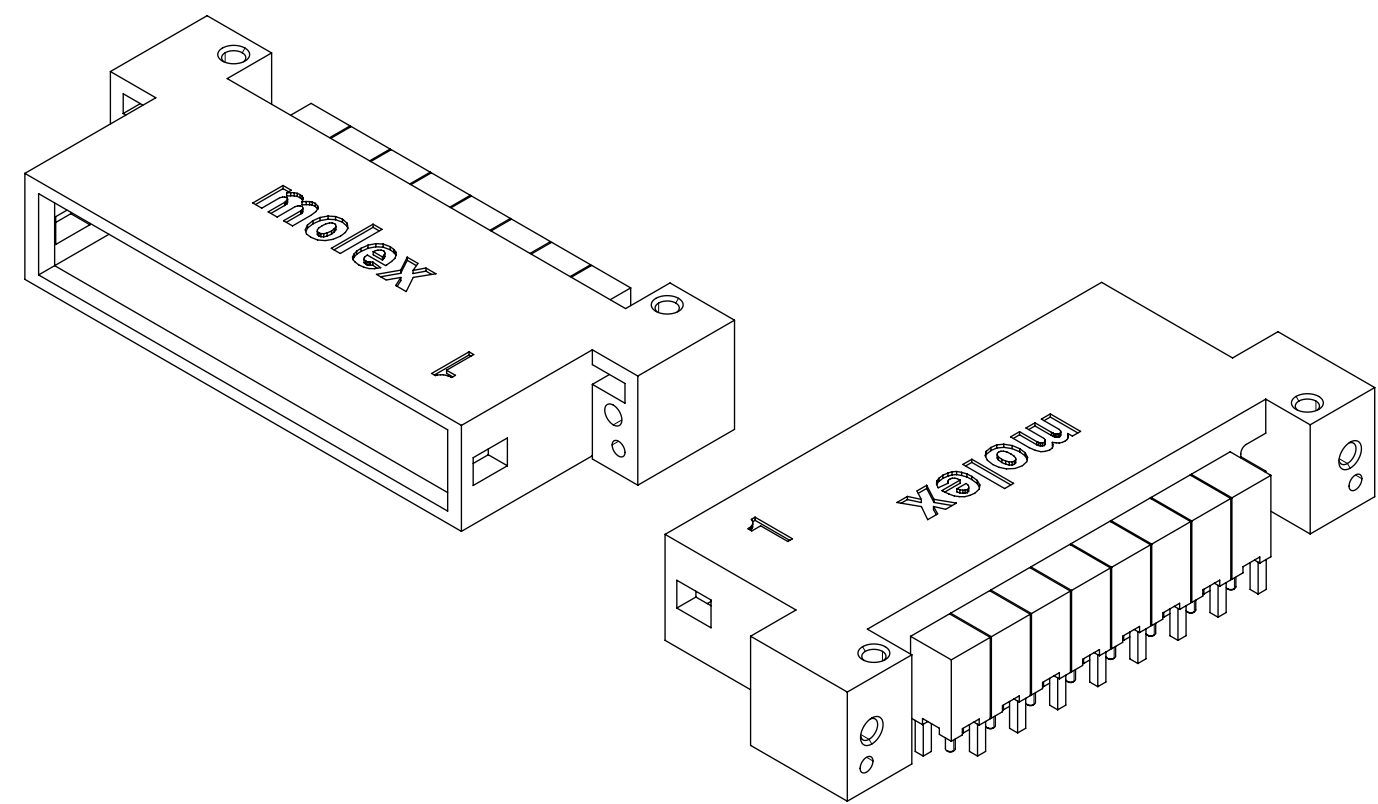
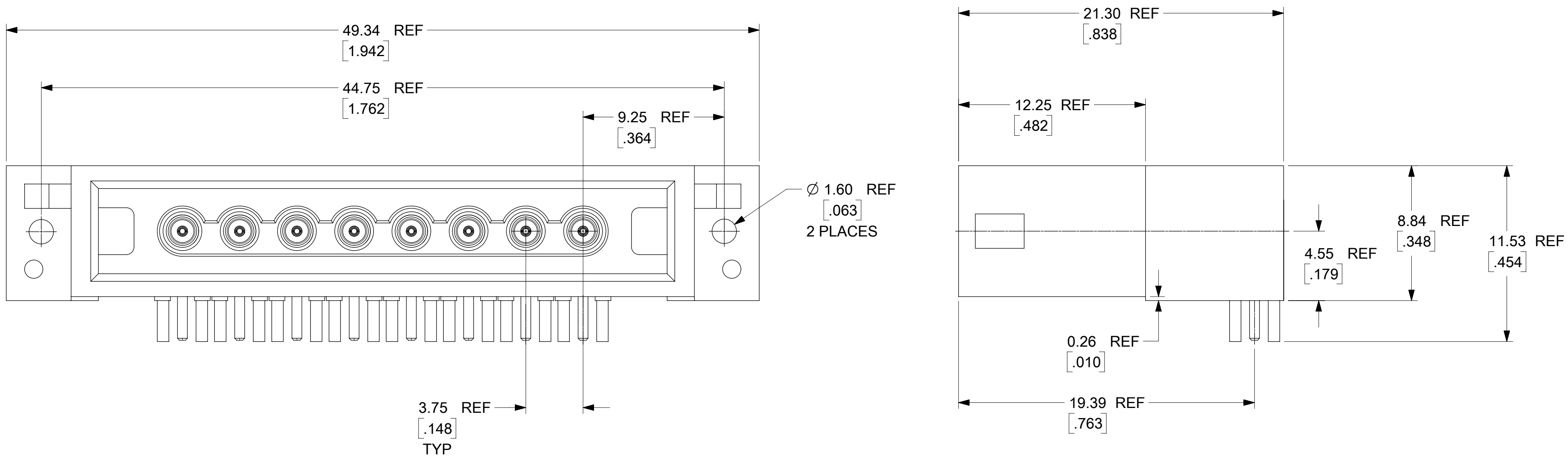


MATERIALS AND FINISHES:

MPRF JACK (73158-0010/-0011)
SEE SD-73158-001

HOUSING HIGH TEMPERATURE NYLON
UL94V-0
COLOR : BLACK



RECOMMENDED PCB LAYOUT

73358-1041	STANDARD
73358-1040	NON MAGNETIC
PART NO.	STYLE

SYMBOLS	THIS DRAWING CONTAINS INFORMATION THAT IS PROPRIETARY TO MOLEX ELECTRONIC TECHNOLOGIES, LLC AND SHOULD NOT BE USED WITHOUT WRITTEN PERMISSION			
	DIMENSION UNITS	SCALE	CURRENT REV DESC: REDRAWN AND REVISED	
▽ = 0	MM/IN	NTS	EC NO: 175019 DRWN: BSHAH 2018/04/11 CHK'D: SSSHAH 2018/04/17 APPR: AROBERTSON 2018/04/17 INITIAL REVISION: DRWN: SSHAH 2013/02/05 APPR: JWIENER 2013/05/16	
▽ = 0	GENERAL TOLERANCES (UNLESS SPECIFIED)			
▽ = 0				
▽ = 0				
▽ = 0	4 PLACES ±	±	PRODUCT CUSTOMER DRAWING DOCUMENT NUMBER: SD-73358-104 DOC TYPE: PSD DOC PART: 001 REVISION: B3	
▽ = 0	3 PLACES ±	± 0.005		
▽ = 0	2 PLACES ±	± 0.13 ± 0.01	MATERIAL NUMBER: SEE TABLE CUSTOMER: [] SHEET NUMBER: 1 OF 4	
▽ = 0	1 PLACE ±	± 0.25 ±		
▽ = 0	0 PLACES ±	±		
▽ = 0	ANGULAR TOL ± 2.0 °			
▽ = 0	DRAFT WHERE APPLICABLE MUST REMAIN WITHIN DIMENSIONS	THIRD ANGLE PROJECTION	DRAWING: C-SIZE	SERIES: 73358



MPRF GANG OF 4/6/8 JACK
50 OHMS RA PCB EWR-11982 MPRF-J

