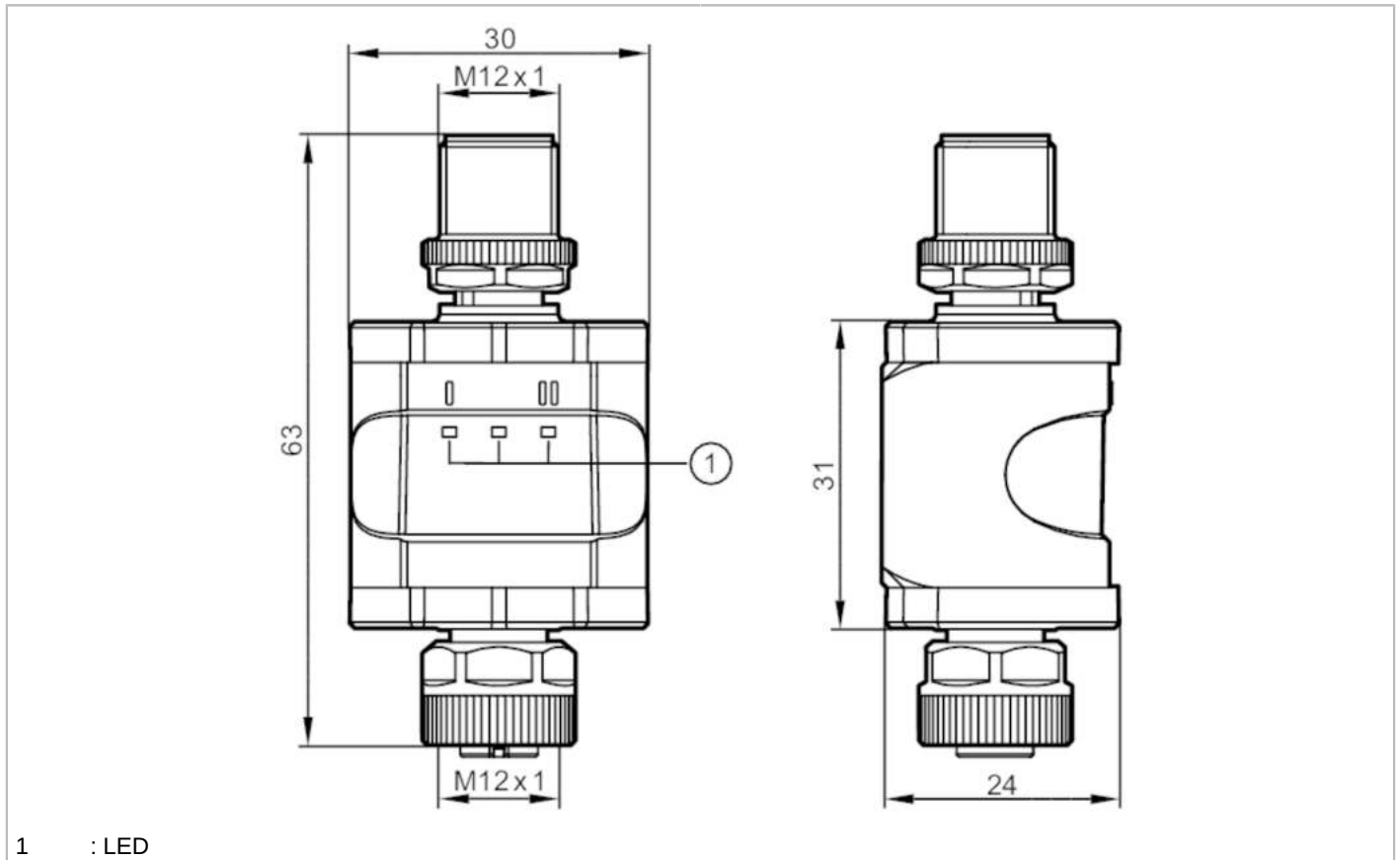


# DP1222



## Converter 0...10 V - IO-Link

Converter 2x0-10V/IO-Link



Product characteristics	
Number of inputs and outputs	Number of analogue inputs: 2
Electrical data	
Operating voltage [V]	18...30 DC; (to SELV/PELV)
Nominal voltage DC [V]	24
Current consumption [mA]	< 380
Inputs / outputs	
Number of inputs and outputs	Number of analogue inputs: 2
Inputs	
Max. total current rating of inputs [mA]	200
Number of analogue inputs	2
Analogue input (voltage) [V]	0...10
Interfaces	
Communication interface	IO-Link
Transmission type	COM2 (38,4 kBaud)
IO-Link revision	1.1
SDCI standard	IEC 61131-9
Profiles	Smart Sensor 0x4000: Identification and Diagnosis 0x8001: Switching Signal Channel 0x8006: Adjustable Switching Signal Channel
SIO mode	no

# DP1222



## Converter 0...10 V - IO-Link

Converter 2x0-10V/IO-Link

Required master port type	A/B	
Process data analogue	2	
Supported DeviceIDs	Type of operation	DeviceID
	DP1222	613
	DP1222_STATUS_B / CMPT = 2 (Factory setting)	1428

### DP1222 / CMPT = 1

Min. process cycle time	[ms]	4.3
-------------------------	------	-----

### DP1222\_STATUS\_B / CMPT = 2 (Factory setting)

Min. process cycle time	[ms]	4.6
-------------------------	------	-----

### Operating conditions

Ambient temperature	[°C]	-25...70
Note on ambient temperature	2000 m:	-25...70 °C
	3000 m:	-25...64 °C
	4000 m:	-25...62 °C
Storage temperature	[°C]	-25...70
Max. relative air humidity	[%]	90; (linearly decreasing to 50 % (40 °C) non condensing)
Max. height above sea level	[m]	4000
Protection		IP 67
Pollution degree		2

### Tests / approvals

MTTF	[years]	504
------	---------	-----

### Mechanical data

Weight	[g]	92
Materials		housing: PA

### Displays / operating elements

Display	operation	1 x LED, green
	analogue input	2 x LED, yellow

### Accessories

Accessories (optional)	mounting clip
------------------------	---------------

### Remarks

Remarks	For further information please see the operating instructions.
Pack quantity	1 pcs.

### Electrical connection - plug



1:	L+
2:	not used
3:	L-
4:	C/Q IO-Link

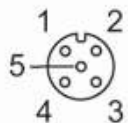
# DP1222



## Converter 0...10 V - IO-Link

Converter 2x0-10V/IO-Link

### Electrical connection - socket



1:	L+
2:	0...10 V analogue input 2
3:	L-
4:	0...10 V analogue input 1
5:	not used