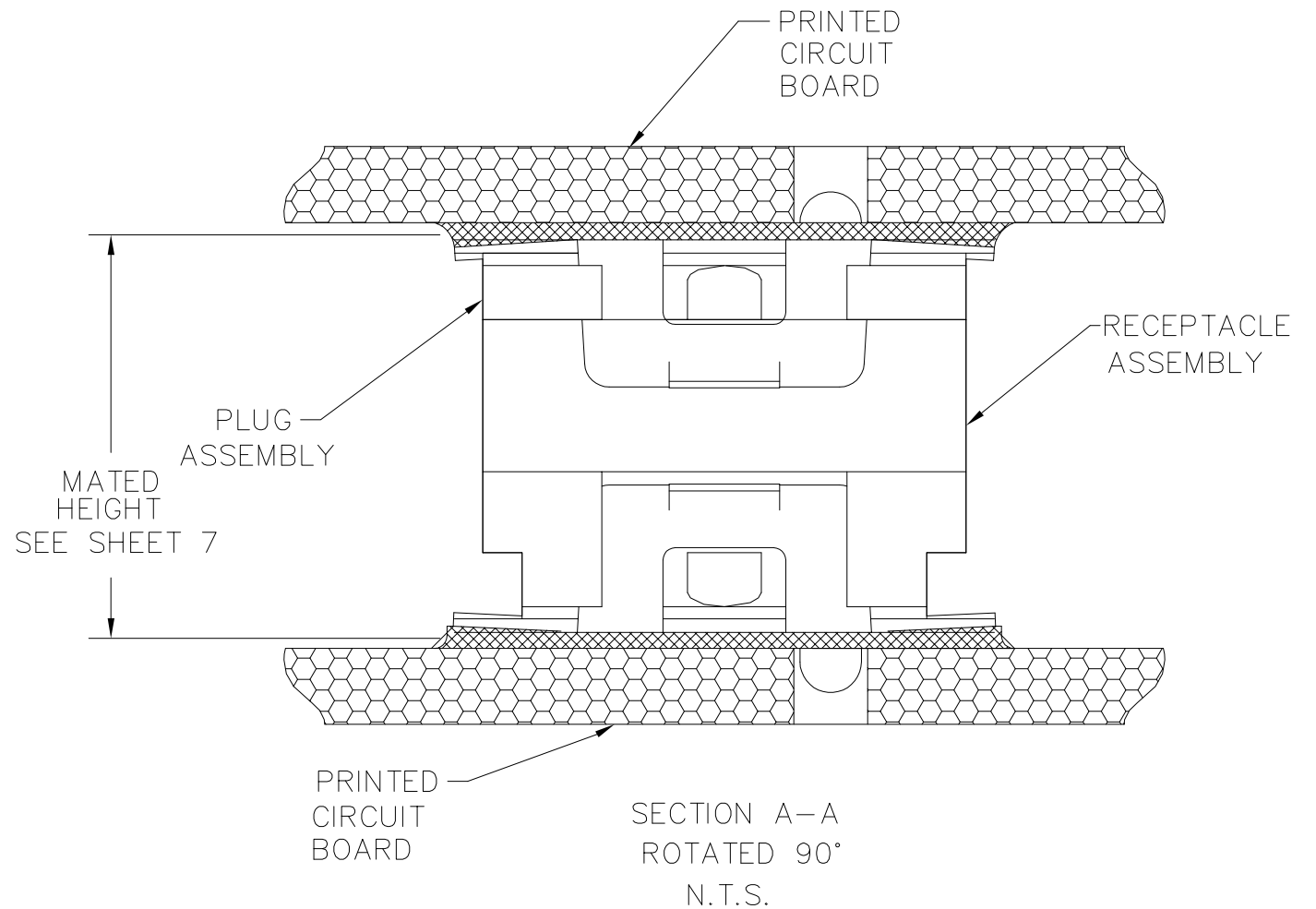
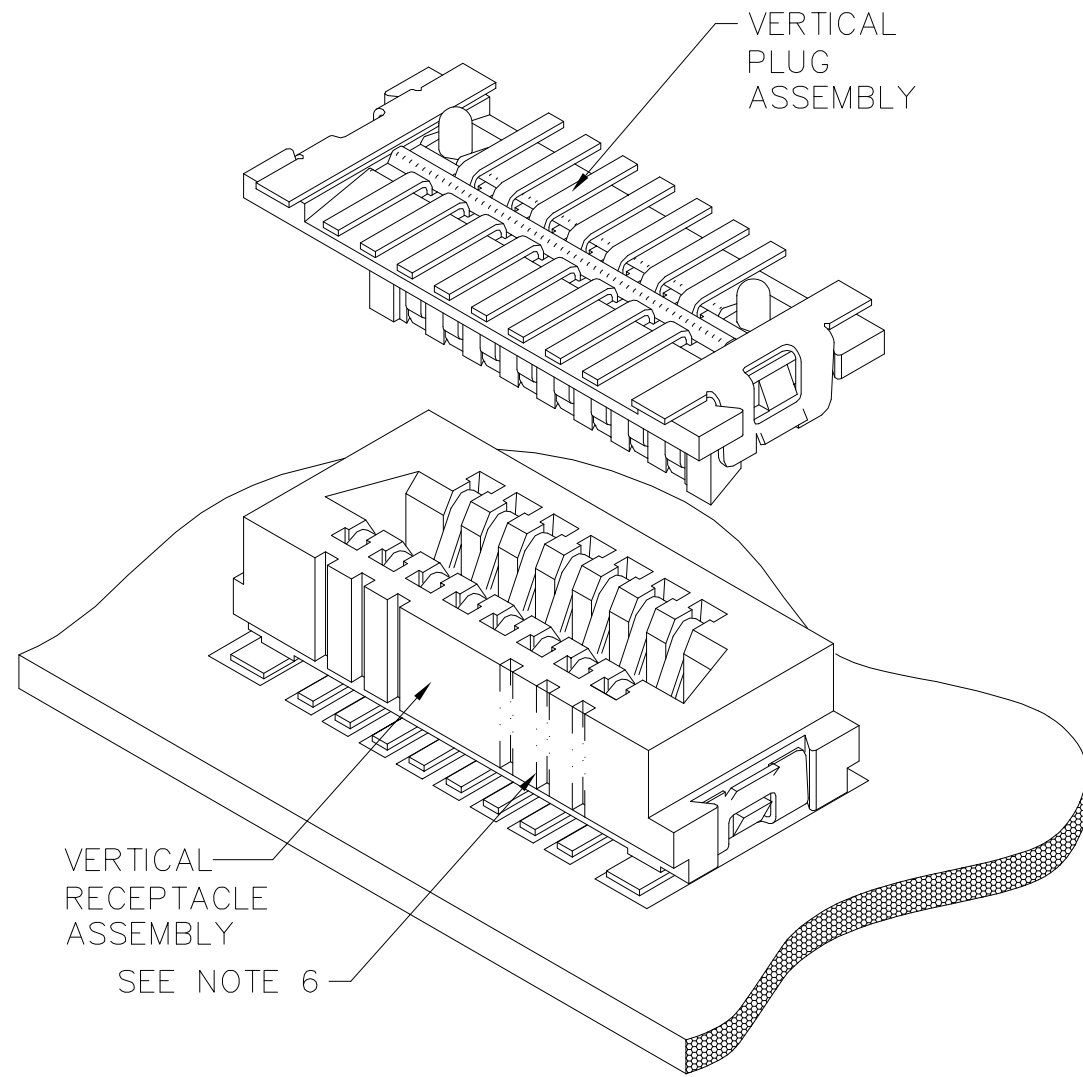


PRODUCT NUMBER  
SEE TABLE



NOTES:

- MATERIALS:  
HOUSING - LCP, UL-94V-0. COLOR: NATURAL.  
TERMINALS - COPPER ALLOY,  
PLATED WITH GOLD OR GXT IN CONTACT AREA  
AND 100u"/2.54u Sn ON SOLDER LEGS WITH  
AN OVERALL 50u"/1.27u Ni UNDERPLATE.  
RETENTION DEVICE - BRASS,  
PLATED WITH 100u"/2.54u Sn OVER NICKEL.
- REFERENCE GS-12-0977 FOR PRODUCT PERFORMANCE  
AND ENVIRONMENTAL RESISTANCE DATA.
- SEE TA-774 FOR FURTHER DESCRIPTION OF  
HOW THIS DIMENSION IS APPLIED.
- RECOMMENDED SOLDER PASTE THICKNESS IS  
.006 TO .008 INCHES THICK.
- THE TOE HEIGHT OF THE SOLDER TAIL SHALL BE  
MEASURED FROM THE LOWEST POINT OF THE .004  
CO-PLANARITY GRAVITY PLANE. THIS MEASUREMENT  
IS NOT TO EXCEED A WINDOW OF .000 TO .007 INCHES.
- THREE SLOTS MAY BE LOCATED AT EITHER END OF  
HOUSING.

- THE HOUSING WILL WITHSTAND EXPOSURE TO 260°C PEAK TEMPERATURE  
FOR 30 SECONDS IN A CONVECTION INFRA RED OR VAPOR PHASE  
REFLOW OVEN. SEE APPLICATION/PROCEDURES IF THEY ARE AVAILABLE
- PRODUCT WITH "LF" AT THE END MEETS EUROPEAN UNION DIRECTIVES AND OTHER  
COUNTRY REGULATION AS DESCRIBED IN GS-47-0004.

EXAMPLE: 10162581-3131125LF  
IS A CONAN® RECEPTACLE ASSEMBLY,  
HAVING PEGS AND WITH A PICK AND PLACE CAP.  
IT IS .13 [3.2] HIGH AND 25 POSITIONS AND IS  
PACKAGED IN PRESSURE SEALED TAPE, REEL AND LEAD FREE.

mat'l. code		surface		tolerance		projection		product family	
Bob		ISO 1302 ✓		ISO 406 ISO 1101		1101		CONAN HPL548	
ltr		ecn no		dr		date		title	
A		Bob		2021-03-22		2021-03-22		ASSEMBLY	
B		ELX-N-41224		Bob		2021-06-16		CONAN RECEPTACLE	
								dwg no	
								sheet 1 of 4	
								size	
								A3	
								type	
								Product Customer Drawing	
sheet index		revision		A		B			
				1~4		1~4			

PRODUCT NUMBER  
SEE TABLE

# CONAN<sup>®</sup> ASSEMBLY PART NUMBER

10162581 - T C W X Y ZZ LF

LEAD FREE  
SEE NOTE 8

TYPE	T
WI/O PEGS	2
WITH PEGS	3

PICK AND PLACE CAP OR TAPE	C
WITH CAP	1

PACKAGING	W
PRESSURE SEALED TAPE & REEL	3

Y	RECEPTACLE HEIGHT	PLUG HEIGHT	MATED HEIGHT
1	.129 [3.28]	1 .034 [.86]	.163 [4.15]
SEE Y=1 FOR ALL RECEPTACLES		2 .048 [1.23]	.177 [4.50]
		3 .068 [1.73]	.197 [5.00]
		4 .107 [2.72]	.236 [6.00]
		5 .1465 [3.721]	.276 [7.00]

ZZ	NUMBER OF POSITIONS
09	9
11	11
15	15
21	21
25	25
31	31
41	41
51	51
69	69

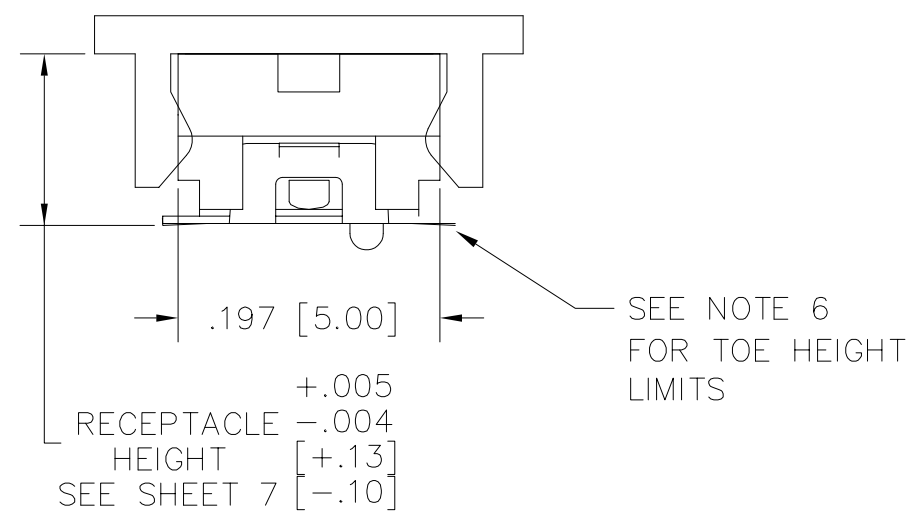
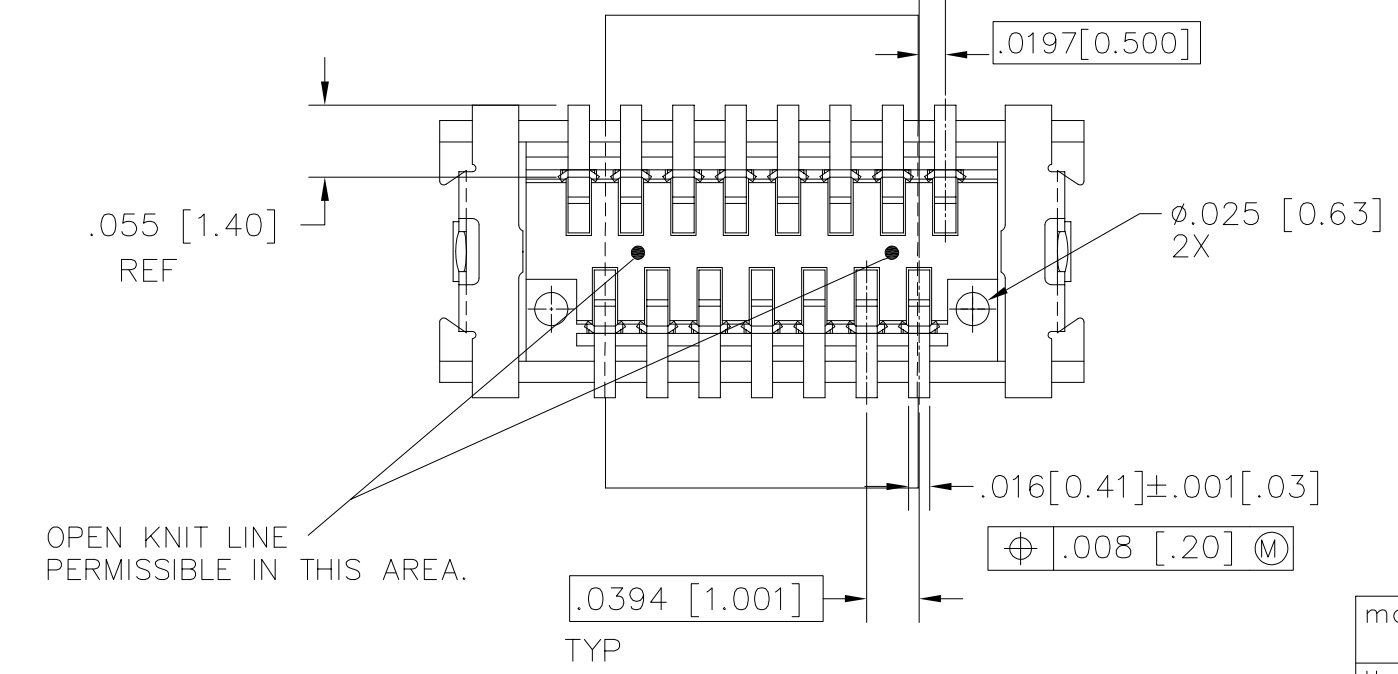
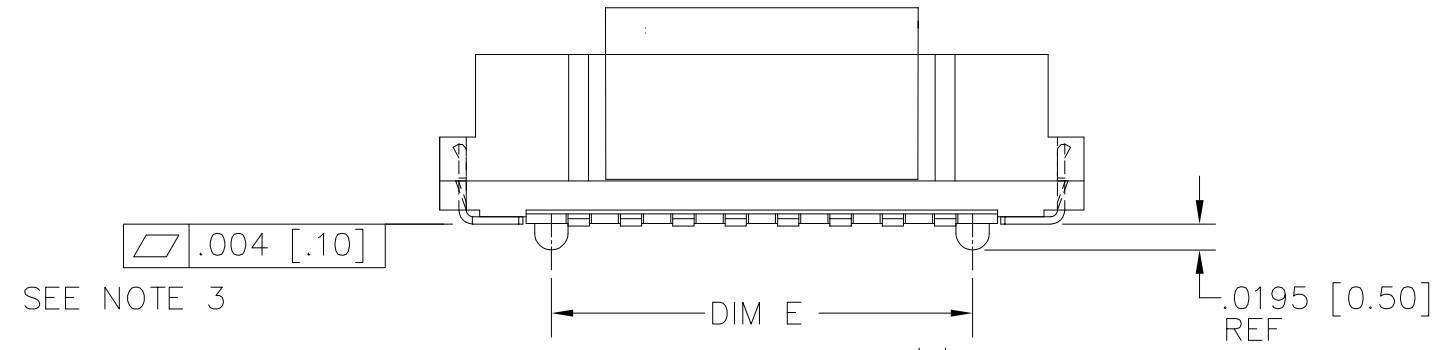
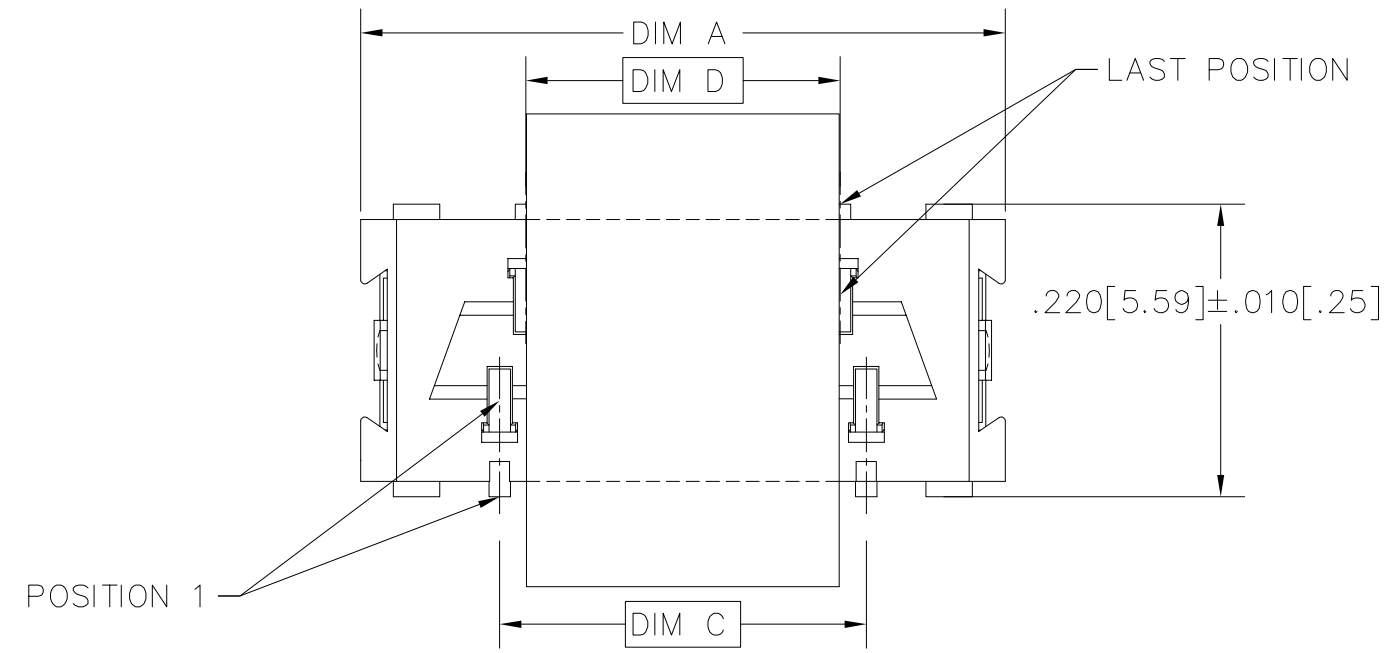
X	PLATING
4	GOLD FLASH

PRODUCT NUMBER	POS	DIM "A"	DIM "C"	DIM "D"	DIM "E"
10162582-TCWXY09LF	9	.366 [9.30]	.157 [4.00]	.118 [3.00]	.1990 [5.055]
-TCWXY11LF	11	.406 [10.30]	.197 [5.00]	.157 [4.00]	.2380 [6.045]
-TCWXY15LF	15	.484 [12.30]	.276 [7.00]	.236 [6.00]	.3170 [8.052]
-TCWXY21LF	21	.602 [15.30]	.394 [10.00]	.354 [9.00]	.4350 [11.049]
-TCWXY25LF	25	.681 [17.30]	.472 [12.00]	.433 [11.00]	.5140 [13.056]
-TCWXY31LF	31	.800 [20.30]	.591 [15.00]	.551 [14.00]	.6320 [16.053]
-TCWXY41LF	41	.996 [25.30]	.787 [20.00]	.748 [19.00]	.8290 [21.057]
-TCWXY51LF	51	1.193 [30.30]	.984 [25.00]	.945 [24.00]	1.0260 [26.060]
-TCWXY69LF	69	1.547 [39.30]	1.339 [34.00]	1.299 [33.00]	1.3800 [35.052]

mat'l. code		surface		tolerance		projection		product family	
Bob		ISO 1302 ✓		ISO 406 ISO 1101				CONAN HPL548	
ltr	ecn no	dr	date	tolerances unless otherwise specified		mm		title	
B				angles linear .0±.3 .00±.13 .000±.05				ASSEMBLY CONAN RECEPTACLE	
sheet index		revision		dr		engr		dwg no	
sheet		A B		Bob Gu 2021-03-22		Bob Gu 2021-06-16		sheet 2 of 4 size	
		1~4 1~4		chr LQ Lei 2021-06-16		appd Tim Yao 2021-06-16		10162581 A3	
								type Product Customer Drawing	

© 2016 AFCI  
 Amphenol FCI

PRODUCT NUMBER  
SEE TABLE



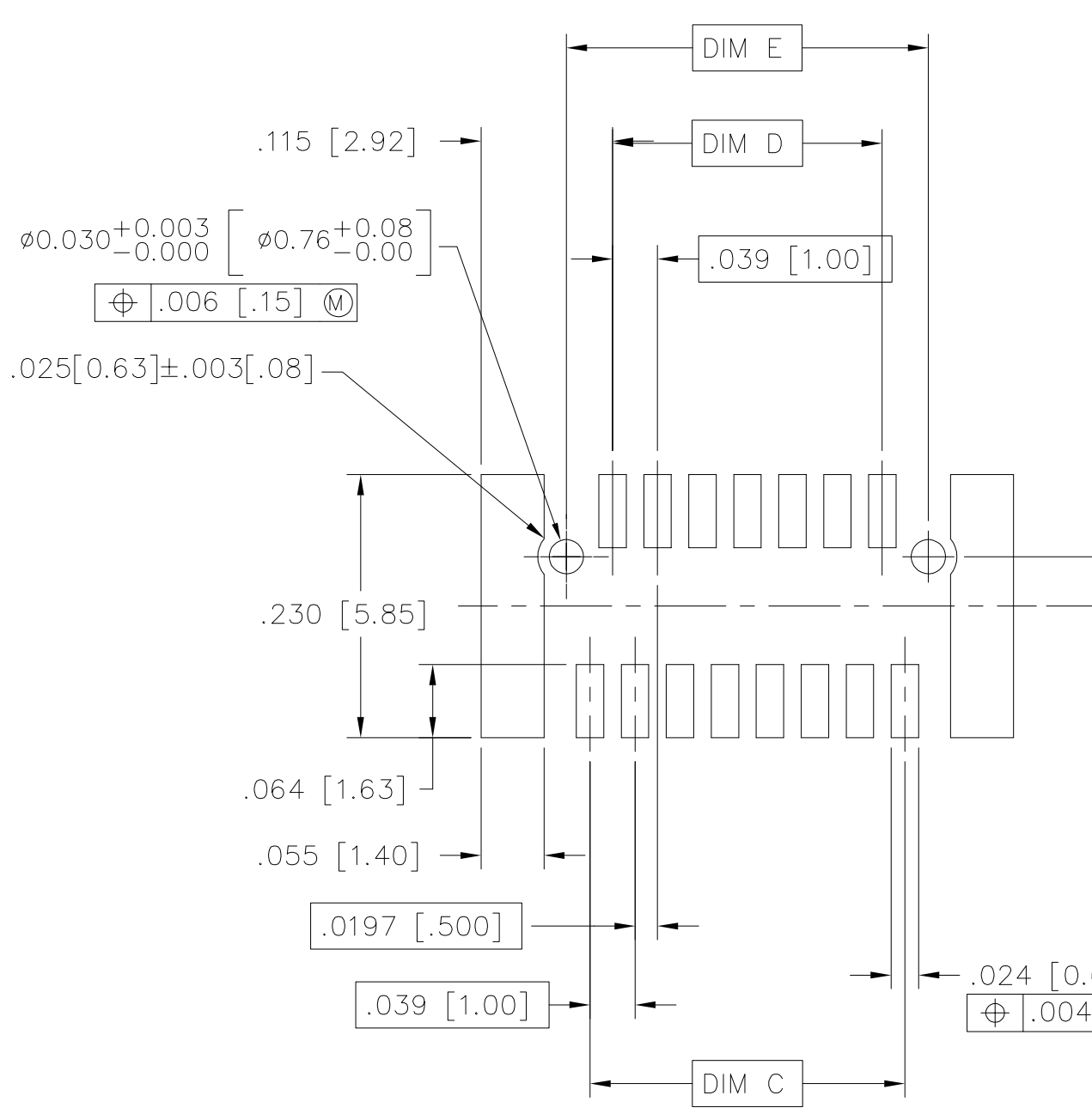
mat'l. code Bob		surface ISO 1302 ✓		tolerance ISO 406 ISO 1101		projection 1101		product family CONAN HPL548	
ltr B		ecn no dr		date		tolerances unless otherwise specified		title ASSEMBLY CONAN RECEPTACLE	
						angles linear 0°±2° .0±.3 .00±.13 .000±.05		mm scale 1:1	
				dr Bob Gu 2021-03-22				dwg no 10162581	
				enr Bob Gu 2021-06-16				sheet 3 of 4	
				chr LQ Lei 2021-06-16				size A3	
				appd Tim Yao 2021-06-16				type Product Customer Drawing	
sheet index		revision sheet		A 1~4		B 1~4			

Amphenol FCI

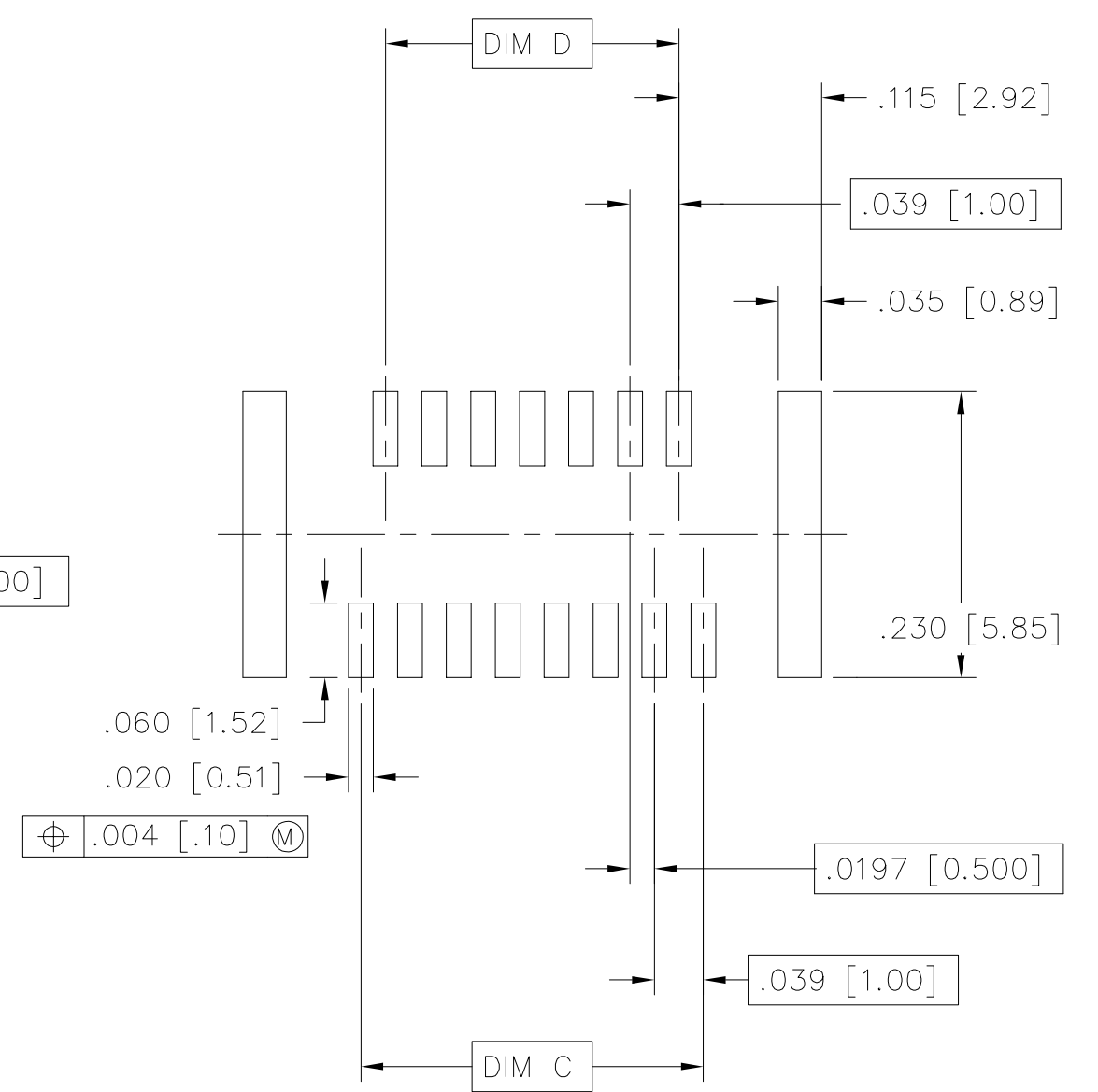
© 2016 AFCI

©

PRODUCT NUMBER  
SEE TABLE



RECOMMENDED  
PAD LAYOUT  
FOR RECEPTACLE



RECOMMENDED  
STENCIL LAYOUT  
FOR RECEPTACLE

Amphenol  
FCI

© 2016 AFCI

mat'l. code		surface		tolerance		projection		product family	
Bob		ISO 1302 ✓		ISO 406 ISO 1101		mm		CONAN HPL548	
Itr		ecn no		dr		date		title	
B								ASSEMBLY CONAN RECEPTACLE	
		angles		linear		.0±.3		dwg no	
		0°±2°				.00±.13		sheet 4 of 4	
						.000±.05		size	
		dr		Bob Gu		2021-03-22		10162581	
		enr		Bob Gu		2021-06-16		A3	
		chr		LQ Lei		2021-06-16		type	
		appd		Tim Yao		2021-06-16		Product Customer Drawing	
sheet index		revision		A		B			
		sheet		1~4		1~4			