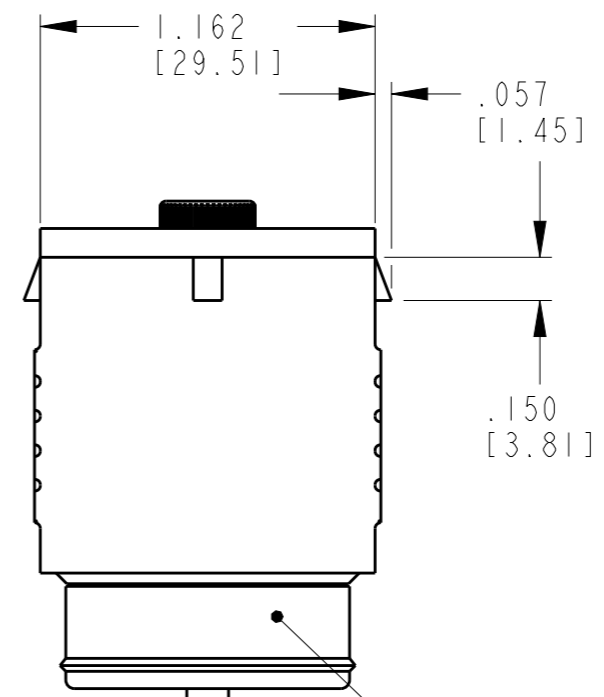
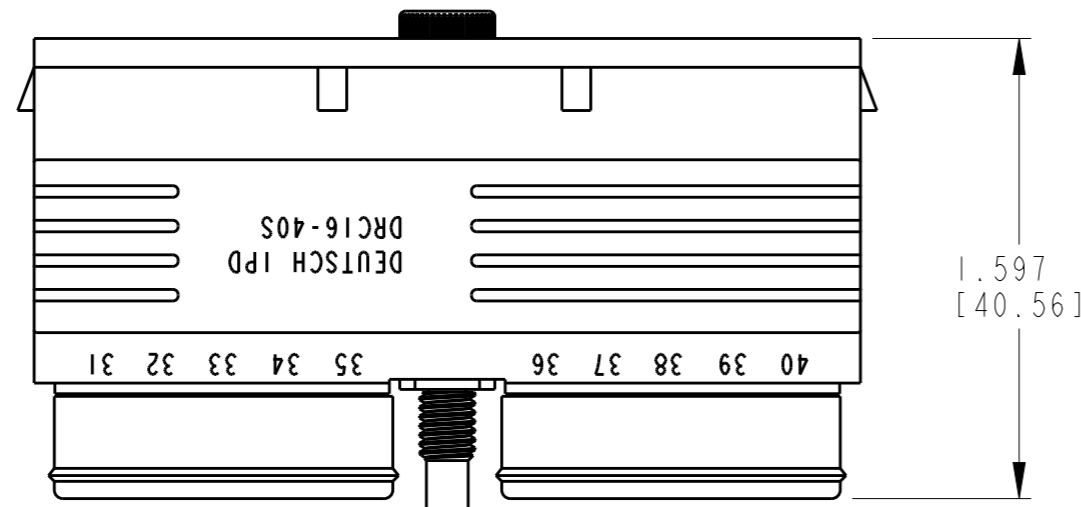
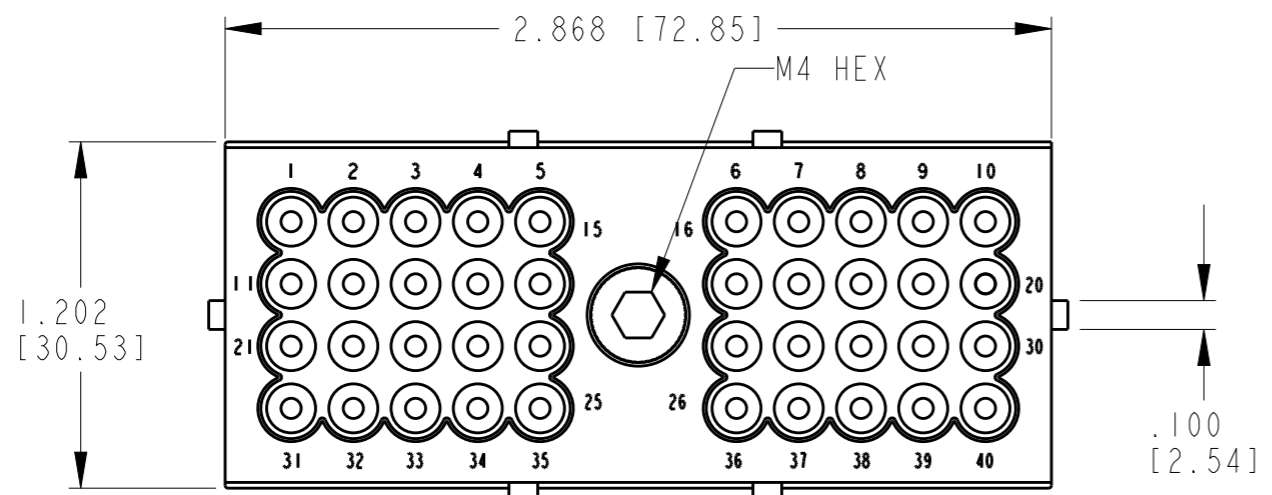


THIS DRAWING IS UNPUBLISHED
 RELEASED FOR PUBLICATION 2017
 © COPYRIGHT 2017 BY - TE CONNECTIVITY ALL RIGHTS RESERVED.

REVISIONS					
P	LTR	DESCRIPTION	DATE	DWN	APVD
	J	REVISED PER PCN E-17-012901	13JUN2017	CM	DM

CONTACT SIZE	MIN. INSUL. OD [mm]	MAX. INSUL. OD [mm]	WIRE RANGE [mm ²] REF ONLY
16	.100 [2.54]	.134 [3.40]	14-18 AWG [2.0-.75]



5. MATERIAL:
 PLUG: PPS GF40 (BLACK)
 SEAL/GROMMET: VMQ (RED-ORANGE)
 CLIP: STEEL, UNPLATED
 BOLD: STAINLESS STEEL WITH SILVER PLATING AND MAY TARNISH.

4. MATING TORQUE REQUIREMENT: 25-28 in-lb (2.82-3.16 Nm).

3. THIS PLUG MATES WITH DRC10-40P-XXXX; DRC12-40PXE-XXXX;
 DRC13-40PX-XXXX; DRC14-40PXE-XXXX.
 CONSULT FACTORY FOR MODIFICATIONS.
 X = A, B, C, D KEYS, XXXX = MODIFICATIONS

2. FOR CONTACTS AND WIRE PERFORMANCE AND APPLICATION CHARACTERISTICS, SEE ENVELOPE DRAWING 0425-015-0000.

1. PLUG IS SUPPLIED WITH DUST CAP, 0515-001-4005 (NOT SHOWN)

NOTES:

M5 X .8-6g
 RETAINING BOLT

INTERFACE SEAL

TE INTERNAL PN	DEUTSCH PN
DRC16-40S	DRC16-40S

THIS DRAWING IS A CONTROLLED DOCUMENT.		DWN J. APOSTOL 11JUL2000	TE Connectivity	
DIMENSIONS: INCHES [mm]		CHK B. BYFORD 14FEB2006		
TOLERANCES UNLESS OTHERWISE SPECIFIED:		APVD R. REED 21FEB2006	NAME DRC CONNECTOR PLUG 40 CONTACTS	
0 PLC ± 1 PLC ± 2 PLC ± 3 PLC ±.025 [.635] 4 PLC ± ANGLES ±0° 30' 0"		PRODUCT SPEC -	SIZE A3	
MATERIAL		APPLICATION SPEC -	CAGE CODE 4AFU8	DRAWING NO. DRC16-40S
FINISH -		WEIGHT -	RESTRICTED TO -	
5		CUSTOMER DRAWING	SCALE 1.5:1	SHEET 1 OF 1 REV J