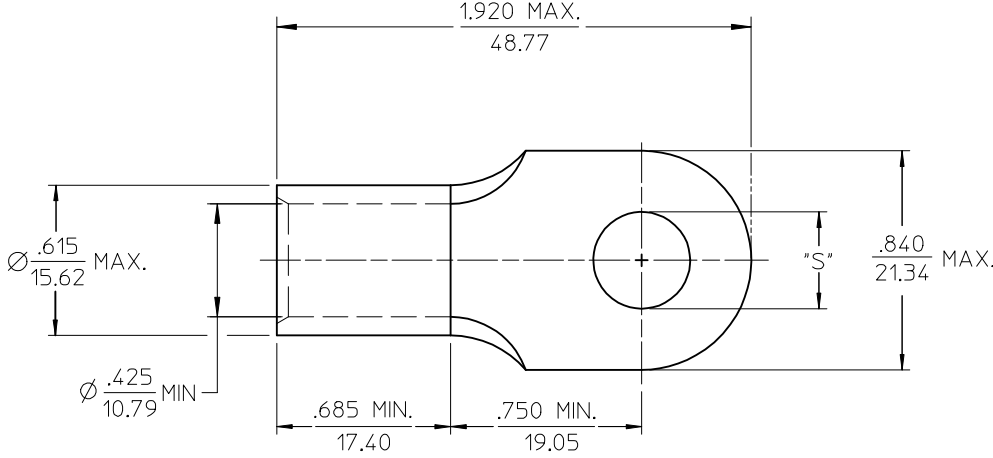


MATERIAL NO.	ENG. NO.	STUD SIZE	±.003 "S"	STOCK THICKNESS
191930330	H-381-14	1/4	.265	.075 (1.90)
191930333	H-381-56	5/16	.328	
191930331	H-381-38	3/8	.390	
191930556	H-381-12	1/2	.515	



SALES DRAWING

- NOTE(S):
1. MATERIAL: COPPER
  2. PLATING: ELECTROPLATE TIN.
  3. ALL DIMENSIONS IN INCHES/(MM)
  4. WIRE SIZE: 1/0 AWG  
50 MM<sup>2</sup>

REVISED/UPDATE TO MX STD EC NO: ETC2003-0315 DRWN:DMYRICK 2003/08/20 CHKD:HEB 2003/08/21 APPR:RDEROSS 2003/08/21	QUALITY SYMBOLS	GENERAL TOLERANCES (UNLESS SPECIFIED)	SCALE 2:1	DESIGN UNITS INCH	THIRD ANGLE PROJECTION	REVISE ON CAD ONLY
	▽ = 0 ▽ = 0	4 PLACES ± --- ± --- 3 PLACES ± --- ± .005 2 PLACES ± 0.13 ± .01 1 PLACE ± 0.25 ± ---	DIMENSION STYLE IN/MM		TITLE RING TONGUE TERMINAL VERSAKRIMP SERIES 1/0 AWG	
		ANGULAR ± 1/2° DRAFT WHERE APPLICABLE MUST REMAIN WITHIN DIMENSIONS	DRAWN BY DLM CHECKED BY HEB APPROVED BY RWD	DATE 03/06/13 DATE 03/06/13 DATE 03/06/13	MOLEX INCORPORATED (SEE CHART)	
	A				MATERIAL NO. SD-19193-020	DOCUMENT NO. SD-19193-020