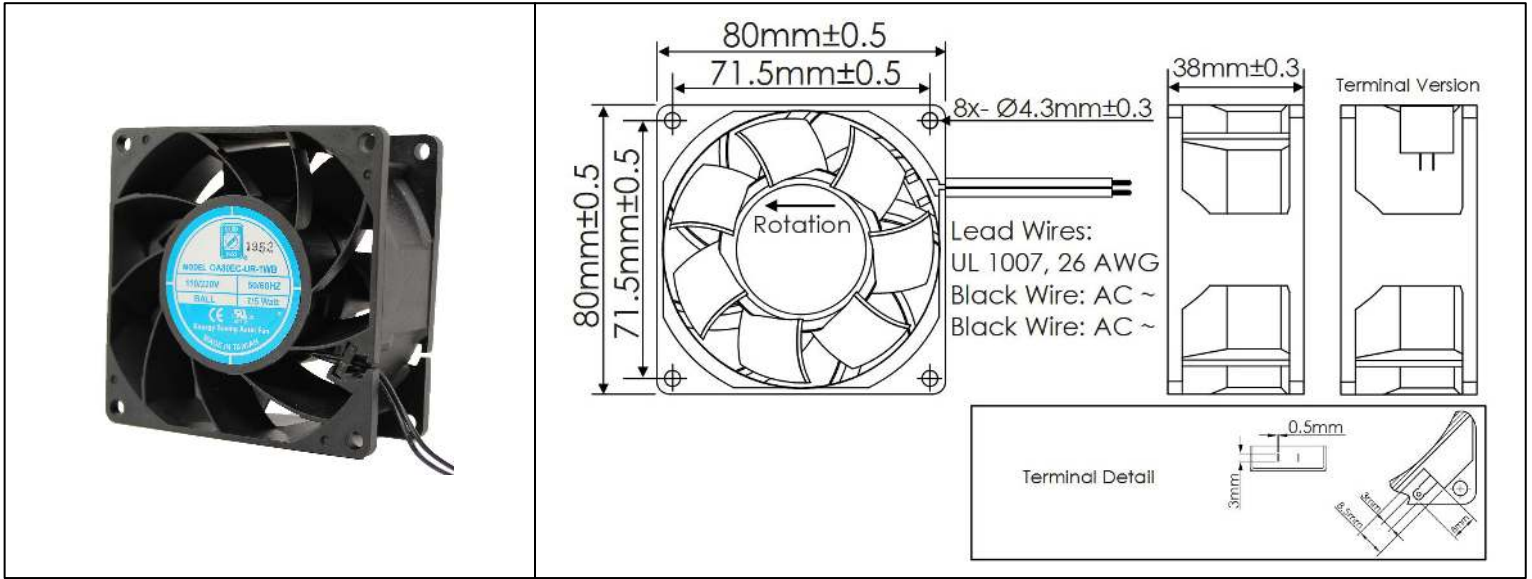


OA80EC Series



EC Fan Universal Voltage
80mm x 38mm (3.15" x 1.50")



| | | | |
|-----------------------|---|--|--|
| Frame | PBT, UL 94 V-0 Plastic | <u>Operating Temperature</u> -20°C ~ +65°C <u>Storage Temperature</u> -20°C ~ +75°C <u>Life Expectancy</u> 70,000 Hours (L10 at 40°C) Weight: 0.39 lbs | |
| Impeller | PBT, UL 94 V-0 Plastic | | |
| Connection | 2x Wire Leads, 26 AWG | | |
| Motor | Electronically Commutated, Electronically Protected | | |
| Bearing System | Ball Bearings | | |
| Dielectric Strength | 1500VAC/min, <1mA | | |
| Insulation Resistance | ≥10MΩ @ 500V DC | | |

| | |
|--|---------------------|
| Part Number | OA80EC-UR-1*B |
| Rated Voltage (Volts AC) | 110/220 |
| Voltage Range (Volts AC) | 85 ~ 265 |
| Power Frequency (Hz) | 50/60 |
| Rated Power (Watts) | 7 ~ 5 (6.5 Typical) |
| Rated Speed (RPM) | 3000 |
| Max Airflow (CFM) | 38.6 |
| Noise Level (dBA) | 32.3 |
| Max Static Pressure (\"H ₂ O) | 0.22 |

*Insert "W" for Wire Leads or "T" for Terminals.