



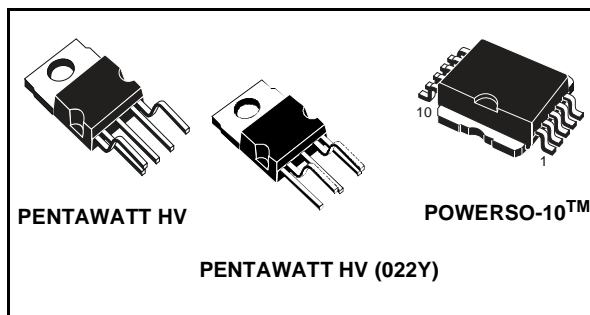
# VIPer100A-E VIPer100ASP-E

## SMPS PRIMARY I.C.

### General Features

Type	V <sub>DSS</sub>	I <sub>n</sub>	R <sub>DS(on)</sub>
VIPer100A-E/ASP-E	700V	3 A	2.8 Ω

- ADJUSTABLE SWITCHING FREQUENCY UP TO 200 kHz
- CURRENT MODE CONTROL
- SOFT START AND SHUTDOWN CONTROL
- AUTOMATIC BURST MODE OPERATION IN STAND-BY CONDITION ABLE TO MEET "BLUE ANGEL" NORM (<1w TOTAL POWER CONSUMPTION)
- INTERNALLY TRIMMED ZENER REFERENCE
- UNDERVOLTAGE LOCK-OUT WITH HYSTERESIS
- INTEGRATED START-UP SUPPLY
- OVER-TEMPERATURE PROTECTION
- LOW STAND-BY CURRENT
- ADJUSTABLE CURRENT LIMITATION

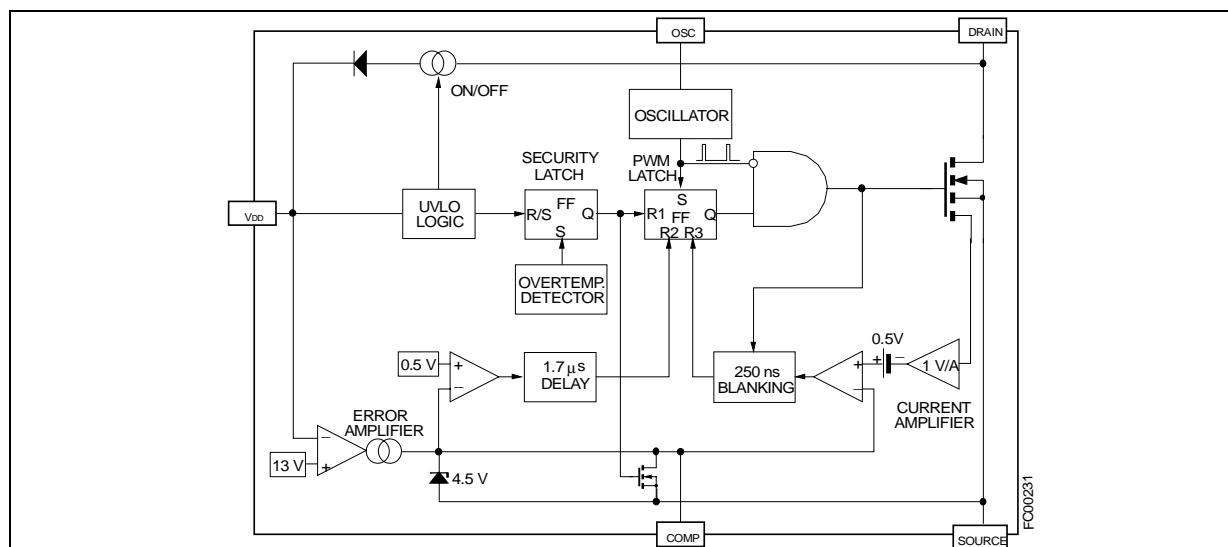


### Description

VIPer100A-E/ASP-E, made using VIPower M0 Technology, combines on the same silicon chip a state-of-the-art PWM circuit together with an optimized, high voltage, Vertical Power MOSFET (700V/ 3A).

Typical applications cover offline power supplies with a secondary power capability of 50W in wide range condition and 100W in single range or with doubler configuration. It is compatible from both primary or secondary regulation loop despite using around 50% less components when compared with a discrete solution. Burst mode operation is an additional feature of this device, offering the ability to operate in stand-by mode without extra components.

### Block Diagram



## Contents

<b>1</b>	<b>Electrical Data</b> .....	<b>4</b>
1.1	Maximum Rating .....	4
1.2	Electrical Characteristics .....	5
<b>2</b>	<b>Thermal Data</b> .....	<b>7</b>
<b>3</b>	<b>Pin Description</b> .....	<b>8</b>
3.1	Drain Pin (Integrated Power MOSFET Drain): .....	8
3.2	Source Pin: .....	8
3.3	V <sub>DD</sub> Pin (Power Supply): .....	8
3.4	Compensation Pin .....	8
3.5	OSC Pin (Oscillator Frequency): .....	9
<b>4</b>	<b>Typical Circuit</b> .....	<b>10</b>
<b>5</b>	<b>Operation Description</b> .....	<b>11</b>
5.1	Current Mode Topology: .....	11
5.2	Stand-by Mode .....	11
5.3	High Voltage Start-up Current Source .....	12
5.4	Transconductance Error Amplifier .....	13
5.5	External Clock Synchronization: .....	14
5.6	Primary Peak Current Limitation .....	14
5.7	Over-Temperature Protection .....	14
5.8	Operation Pictures .....	15

<b>6</b>	<b>Electrical Over Stress</b> .....	<b>21</b>
6.1	Electrical Over Stress Ruggedness .....	21
<b>7</b>	<b>Layout</b> .....	<b>22</b>
7.1	Layout Considerations .....	22
<b>8</b>	<b>Package Mechanical Data</b> .....	<b>23</b>
<b>9</b>	<b>Order Codes</b> .....	<b>27</b>
<b>10</b>	<b>Revision history</b> .....	<b>28</b>

# 1 Electrical Data

## 1.1 Maximum Rating

**Table 1. Absolute Maximum Rating**

Symbol	Parameter	Value	Unit
$V_{DS}$	Continuous Drain-Source Voltage ( $T_J = 25$ to $125^\circ\text{C}$ )	-0.3 to 700	V
$I_D$	Maximum Current	Internally limited	A
$V_{DD}$	Supply Voltage	0 to 15	V
$V_{OSC}$	Voltage Range Input	0 to $V_{DD}$	V
$V_{COMP}$	Voltage Range Input	0 to 5	V
$I_{COMP}$	Maximum Continuous Current	$\pm 2$	mA
$V_{ESD}$	Electrostatic Discharge ( $R = 1.5\text{k}\Omega$ ; $C = 100\text{pF}$ )	4000	V
$I_{D(AR)}$	Avalanche Drain-Source Current, Repetitive or Not Repetitive ( $T_c = 100^\circ\text{C}$ ; Pulse width limited by $T_J$ max; $\delta < 1\%$ )	1.4	A
$P_{tot}$	Power Dissipation at $T_c = 25^\circ\text{C}$	82	W
$T_j$	Junction Operating Temperature	Internally limited	$^\circ\text{C}$
$T_{stg}$	Storage Temperature	-65 to 150	$^\circ\text{C}$

## 1.2 Electrical Characteristics

$T_J = 25^\circ\text{C}$ ;  $V_{DD} = 13\text{V}$ , unless otherwise specified

**Table 2. Power Section**

Symbol	Parameter	Test Conditions	Min	Typ	Max	Unit
$BV_{DS}$	Drain-Source Voltage	$I_D = 1\text{mA}$ ; $V_{COMP} = 0\text{V}$	700			V
$I_{DSS}$	Off-State Drain Current	$V_{COMP} = 0\text{V}$ ; $T_j = 125^\circ\text{C}$ $V_{DS} = 700\text{V}$			1	mA
$R_{DS(on)}$	Static Drain-Source On Resistance	$I_D = 2\text{A}$ $I_D = 2\text{A}$ ; $T_j = 100^\circ\text{C}$		2.0	2.8 5.0	$\Omega$
$t_f$	Fall Time	$I_D = 0.2\text{A}$ ; $V_{IN} = 300\text{V}$ (1) <a href="#">Figure 7</a>		100		ns
$t_r$	Rise Time	$I_D = 0.4\text{A}$ ; $V_{IN} = 300\text{V}$ (1) <a href="#">Figure 7</a>		50		ns
$C_{oss}$	Output Capacitance	$V_{DS} = 25\text{V}$		150		pF

(1) On Inductive Load, Clamped.

**Table 3. Supply Section**

Symbol	Parameter	Test Conditions	Min	Typ	Max	Unit
$I_{DDch}$	Start-Up Charging Current	$V_{DD} = 5\text{V}$ ; $V_{DS} = 35\text{V}$ (see <a href="#">Figure 6</a> )(see <a href="#">Figure 11</a> )		-2		mA
$I_{DD0}$	Operating Supply Current	$V_{DD} = 12\text{V}$ ; $F_{SW} = 0\text{kHz}$ (see <a href="#">Figure 6</a> )		12	16	mA
$I_{DD1}$	Operating Supply Current	$V_{DD} = 12\text{V}$ ; $F_{sw} = 100\text{kHz}$		15.5		mA
		$V_{DD} = 12\text{V}$ ; $F_{sw} = 200\text{kHz}$		19		mA
$V_{DDoff}$	Undervoltage Shutdown	(see <a href="#">Figure 6</a> )	7.5	8	9	V
$V_{DDon}$	Undervoltage Reset	(see <a href="#">Figure 6</a> )		11	12	V
$V_{DDhyst}$	Hysteresis Start-up	(see <a href="#">Figure 6</a> )	2.4	3		V

**Table 4. Oscillator Section**

Symbol	Parameter	Test Conditions'	Min	Typ	Max	Unit
$F_{SW}$	Oscillator Frequency Total Variation	$R_T = 8.2\text{K}\Omega$ ; $C_T = 2.4\text{nF}$ $V_{DD} = 9$ to $15\text{V}$ ; with $R_T \pm 1\%$ ; $C_T \pm 5\%$ (see <a href="#">Figure 10</a> )(see <a href="#">Figure 14</a> )	90	100	110	KHz
$V_{OSCH}$	Oscillator Peak Voltage			7.1		V
$V_{OSCL}$	Oscillator Valley Voltage			3.7		V

**Table 5. Error Amplifier Section**

Symbol	Parameter	Test Conditions'	Min	Typ	Max	Unit
V <sub>DDREG</sub>	V <sub>DD</sub> Regulation Point	I <sub>COMP</sub> =0mA (see Figure 5)	12.6	13	13.4	V
ΔV <sub>DDreg</sub>	Total Variation	T <sub>j</sub> =0 to 100°C		2		%
G <sub>BW</sub>	Unity Gain Bandwidth	From Input =V <sub>DD</sub> to Output = V <sub>COMP</sub> COMP pin is open (see Figure 15)		150		KHz
A <sub>VOL</sub>	Open Loop Voltage Gain	COMP pin is open (see Figure 15)	45	52		dB
G <sub>m</sub>	DC Transconductance	V <sub>COMP</sub> =2.5V(see Figure 5)	1.1	1.5	1.9	mA/V
V <sub>COMPLO</sub>	Output Low Level	I <sub>COMP</sub> =-400μA; V <sub>DD</sub> =14V		0.2		V
V <sub>COMPHI</sub>	Output High Level	I <sub>COMP</sub> =400μA; V <sub>DD</sub> =12V		4.5		V
I <sub>COMPLO</sub>	Output Low Current Capability	V <sub>COMP</sub> =2.5V; V <sub>DD</sub> =14V		-600		μA
I <sub>COMPHI</sub>	Output High Current Capability	V <sub>COMP</sub> =2.5V; V <sub>DD</sub> =12V		600		μA

**Table 6. PWM Comparator Section**

Symbol	Parameter	Test Conditions'	Min	Typ	Max	Unit
H <sub>ID</sub>	ΔV <sub>COMP</sub> / ΔI <sub>DPEAK</sub>	V <sub>COMP</sub> = 1 to 3 V	0.7	1	1.3	V/A
V <sub>COMPoff</sub>	V <sub>COMP</sub> Offset	I <sub>DPEAK</sub> = 10mA		0.5		V
I <sub>Dpeak</sub>	Peak Current Limitation	V <sub>DD</sub> = 12V; COMP pin open	3	4	5.3	A
t <sub>d</sub>	Current Sense Delay to Turn-Off	I <sub>D</sub> = 1A		250		ns
t <sub>b</sub>	Blanking Time			250	360	ns
t <sub>on(min)</sub>	Minimum On Time			350	1200	ns

**Table 7. Shutdown and Overtemperature Section**

Symbol	Parameter	Test Conditions'	Min	Typ	Max	Unit
V <sub>COMPth</sub>	Restart Threshold	(see Figure 8)		0.5		V
t <sub>DISsu</sub>	Disable Set Up Time	(see Figure 8)		1.7	5	μs
T <sub>tsd</sub>	Thermal Shutdown Temperature	(see Figure 8)	140	170		°C
T <sub>hyst</sub>	Thermal Shutdown Hysteresis	(see Figure 8)		40		°C

## 2 Thermal Data

**Table 8. Thermal data**

Symbol	Parameter		PENTAWATT HV	Unit
$R_{thJC}$	Thermal Resistance Junction-case	Max	1.4	°C/W
$R_{thJA}$	Thermal Resistance Ambient-case	Max	60	°C/W

## 3 Pin Description

### 3.1 Drain Pin (Integrated Power MOSFET Drain):

Integrated Power MOSFET drain pin. It provides internal bias current during start-up via an integrated high voltage current source which is switched off during normal operation. The device is able to handle an unclamped current during its normal operation, assuring self protection against voltage surges, PCB stray inductance, and allowing a snubberless operation for low output power.

### 3.2 Source Pin:

Power MOSFET source pin. Primary side circuit common ground connection.

### 3.3 $V_{DD}$ Pin (Power Supply):

This pin provides two functions :

- It corresponds to the low voltage supply of the control part of the circuit. If  $V_{DD}$  goes below 8V, the start-up current source is activated and the output power MOSFET is switched off until the  $V_{DD}$  voltage reaches 11V. During this phase, the internal current consumption is reduced, the  $V_{DD}$  pin is sourcing a current of about 2mA and the COMP pin is shorted to ground. After that, the current source is shut down, and the device tries to start up by switching again.
- This pin is also connected to the error amplifier, in order to allow primary as well as secondary regulation configurations. In case of primary regulation, an internal 13V trimmed reference voltage is used to maintain  $V_{DD}$  at 13V. For secondary regulation, a voltage between 8.5V and 12.5V will be put on  $V_{DD}$  pin by transformer design, in order to stuck the output of the transconductance amplifier to the high state. The COMP pin behaves as a constant current source, and can easily be connected to the output of an optocoupler. Note that any overvoltage due to regulation loop failure is still detected by the error amplifier through the  $V_{DD}$  voltage, which cannot overpass 13V. The output voltage will be somewhat higher than the nominal one, but still under control.

### 3.4 Compensation Pin

This pin provides two functions :

- It is the output of the error transconductance amplifier, and allows for the connection of a compensation network to provide the desired transfer function of the regulation loop. Its bandwidth can be easily adjusted to the needed value with usual components value. As stated above, secondary regulation configurations are also implemented through the COMP pin.
- When the COMP voltage is going below 0.5V, the shut-down of the circuit occurs, with a zero duty cycle for the power MOSFET. This feature can be used to switch off the converter, and is automatically activated by the regulation loop (no matter what the configuration is) to provide a burst mode operation in case of negligible output power or open load condition.



### 3.5 OSC Pin (Oscillator Frequency):

An  $R_t-C_t$  network must be connected on that to define the switching frequency. Note that despite the connection of  $R_t$  to  $V_{DD}$ , no significant frequency change occurs for  $V_{DD}$  varying from 8V to 15V. It provides also a synchronisation capability, when connected to an external frequency source.

Figure 1. Connection Diagrams (Top View)

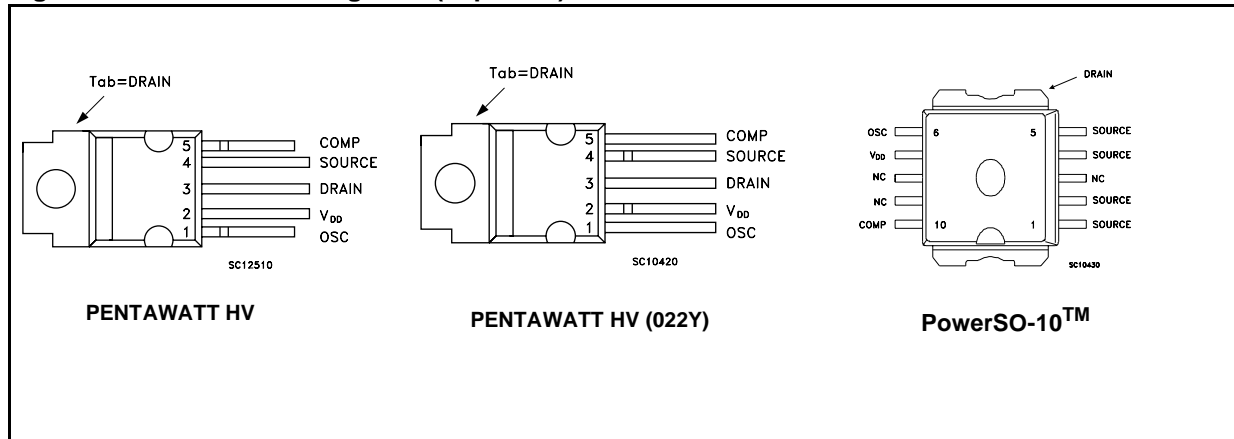
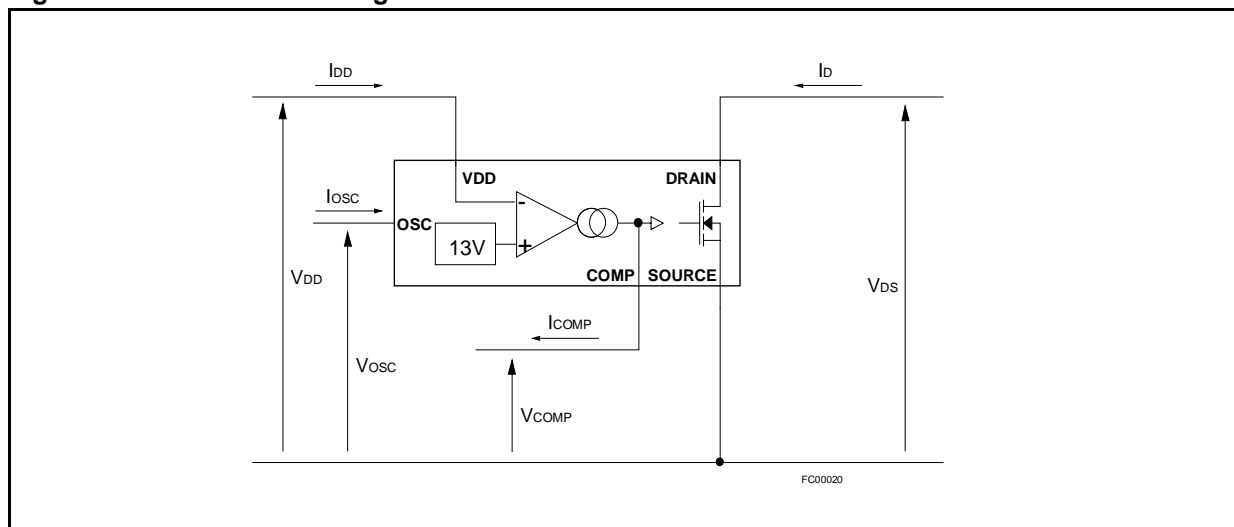


Figure 2. Current and Voltage Convention



# 4 Typical Circuit

Figure 3. Offline Power Supply With Auxiliary Supply Feedback

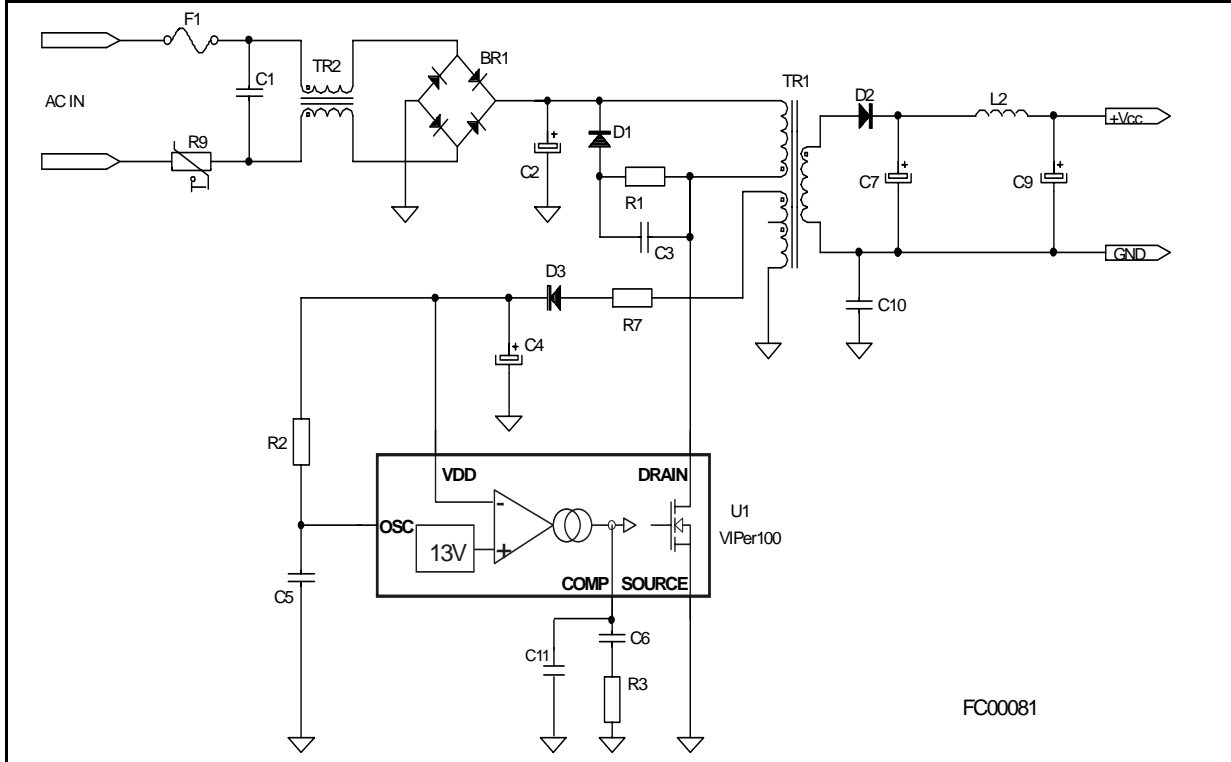
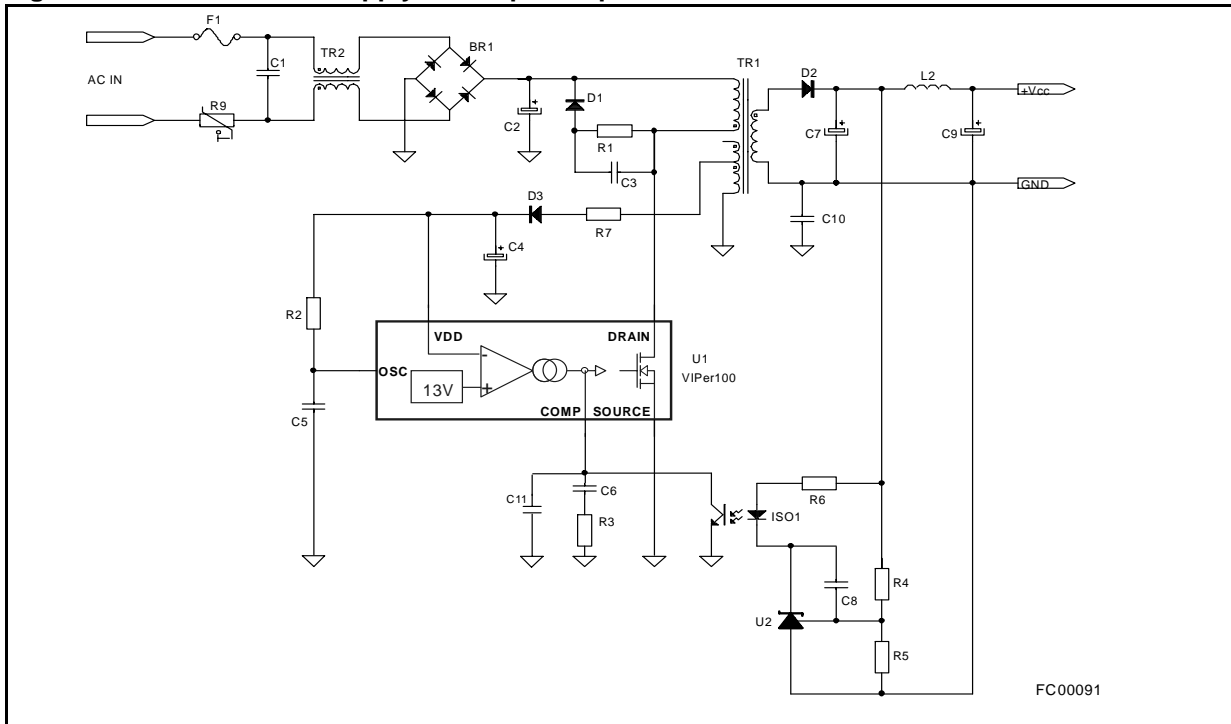


Figure 4. Offline Power Supply With Optocoupler Feedback



## 5 Operation Description

### 5.1 Current Mode Topology:

The current mode control method, like the one integrated in the VIPer100A-E/ASP-E, uses two control loops - an inner current control loop and an outer loop for voltage control. When the Power MOSFET output transistor is on, the inductor current (primary side of the transformer) is monitored with a SenseFET technique and converted into a voltage  $V_S$  proportional to this current. When  $V_S$  reaches  $V_{COMP}$  (the amplified output voltage error) the power switch is switched off. Thus, the outer voltage control loop defines the level at which the inner loop regulates peak current through the power switch and the primary winding of the transformer.

Excellent open loop D.C. and dynamic line regulation is ensured due to the inherent input voltage feedforward characteristic of the current mode control. This results in improved line regulation, instantaneous correction to line changes, and better stability for the voltage regulation loop.

Current mode topology also ensures good limitation in case there is a short circuit. During the first phase the output current increases slowly following the dynamic of the regulation loop. Then it reaches the maximum limitation current internally set and finally stops because the power supply on  $V_{DD}$  is no longer correct. For specific applications the maximum peak current internally set can be overridden by externally limiting the voltage excursion on the COMP pin. An integrated blanking filter inhibits the PWM comparator output for a short time after the integrated Power MOSFET is switched on. This function prevents anomalous or premature termination of the switching pulse in case there are current spikes caused by primary side capacitance or secondary side rectifier reverse recovery time.

### 5.2 Stand-by Mode

Stand-by operation in nearly open load conditions automatically leads to a burst mode operation allowing voltage regulation on the secondary side. The transition from normal operation to burst mode operation happens for a power  $P_{STBY}$  given by :

$$\text{Where: } P_{STBY} = \frac{1}{2} L_p I_{STBY}^2 F_{SW}$$

$L_p$  is the primary inductance of the transformer.  $F_{SW}$  is the normal switching frequency.

$I_{STBY}$  is the minimum controllable current, corresponding to the minimum on time that the device is able to provide in normal operation. This current can be computed as :

$$I_{STBY} = \frac{(t_b + t_d) V_{IN}}{L_p}$$

$t_b + t_d$  is the sum of the blanking time and of the propagation time of the internal current sense and comparator, and represents roughly the minimum on time of the device. Note: that  $P_{STBY}$  may be affected by the efficiency of the converter at low load, and must include the power drawn on the primary auxiliary voltage.

As soon as the power goes below this limit, the auxiliary secondary voltage starts to increase above the 13V regulation level, forcing the output voltage of the transconductance amplifier to low state ( $V_{COMP} < V_{COMPth}$ ). This situation leads to the shutdown mode where the power switch is maintained in the Off state, resulting in missing cycles and zero duty cycle. As soon as  $V_{DD}$  gets back to the regulation level and the  $V_{COMPth}$  threshold is reached, the device operates again. The above cycle repeats indefinitely, providing a burst mode of which the effective duty cycle is much lower than the minimum one when in normal operation. The equivalent switching frequency is also lower than the normal one, leading to a reduced consumption on the input main supply lines. This mode of operation allows the VIPer100A-E/ASP-E to meet the new German "Blue Angel" Norm with less than 1W total power consumption for the system when working in stand-by mode. The output voltage remains regulated around the normal level, with a low frequency ripple corresponding to the burst mode. The amplitude of this ripple is low, because of the output capacitors and low output current drawn in such conditions. The normal operation resumes automatically when the power gets back to higher levels than  $P_{STBY}$ .

### 5.3 High Voltage Start-up Current Source

An integrated high voltage current source provides a bias current from the DRAIN pin during the start-up phase. This current is partially absorbed by internal control circuits which are placed into a standby mode with reduced consumption and also provided to the external capacitor connected to the  $V_{DD}$  pin. As soon as the voltage on this pin reaches the high voltage threshold  $V_{DDon}$  of the UVLO logic, the device becomes active mode and starts switching. The start-up current generator is switched off, and the converter should normally provide the needed current on the  $V_{DD}$  pin through the auxiliary winding of the transformer, as shown on (see Figure 11).

In case there are abnormal conditions where the auxiliary winding is unable to provide the low voltage supply current to the  $V_{DD}$  pin (i.e. short circuit on the output of the converter), the external capacitor discharges to the low threshold voltage  $V_{DDoff}$  of the UVLO logic, and the device goes back to the inactive state where the internal circuits are in standby mode and the start-up current source is activated. The converter enters a endless start-up cycle, with a start-up duty cycle defined by the ratio of charging current towards discharging when the device tries to start. This ratio is fixed by design to 2A to 15A, which gives a 12% start-up duty cycle while the power dissipation at start-up is approximately 0.6W, for a 230Vrms input voltage.

This low value start-up duty cycle prevents the application of stress to the output rectifiers as well as the transformer when a short circuit occurs.

The external capacitor  $C_{VDD}$  on the  $V_{DD}$  pin must be sized according to the time needed by the converter to start up, when the device starts switching. This time  $t_{SS}$  depends on many parameters, among which transformer design, output capacitors, soft start feature, and compensation network implemented on the COMP pin. The following formula can be used for defining the minimum capacitor needed:

$$\text{where: } C_{VDD} > \frac{I_{DD'ss}}{V_{DDhyst}}$$

$I_{DD}$  is the consumption current on the  $V_{DD}$  pin when switching. Refer to specified  $I_{DD1}$  and  $I_{DD2}$  values.

$t_{SS}$  is the start up time of the converter when the device begins to switch. Worst case is generally at full load.

$V_{DDhyst}$  is the voltage hysteresis of the UVLO logic (refer to the minimum specified value).

The soft start feature can be implemented on the COMP pin through a simple capacitor which will be also used as the compensation network. In this case, the regulation loop bandwidth is rather low, because of the large value of this capacitor. In case a large regulation loop bandwidth is mandatory, the schematics of (see [Figure 17](#)) can be used. It mixes a high performance compensation network together with a separate high value soft start capacitor. Both soft start time and regulation loop bandwidth can be adjusted separately.

If the device is intentionally shut down by tying the COMP pin to ground, the device is also performing start-up cycles, and the  $V_{DD}$  voltage is oscillating between  $V_{DDon}$  and  $V_{DDoff}$ .

This voltage can be used for supplying external functions, provided that their consumption does not exceed 0.5mA. (see [Figure 18](#)) shows a typical application of this function, with a latched shutdown. Once the "Shutdown" signal has been activated, the device remains in the Off state until the input voltage is removed.

## 5.4 Transconductance Error Amplifier

The VIPer100A-E/ASP-E includes a transconductance error amplifier. Transconductance  $G_m$  is the change in output current ( $I_{COMP}$ ) versus change in input voltage ( $V_{DD}$ ). Thus:

$$G_m = \frac{\partial I_{COMP}}{\partial V_{DD}}$$

The output impedance  $Z_{COMP}$  at the output of this amplifier (COMP pin) can be defined as:

$$Z_{COMP} = \frac{\partial V_{COMP}}{\partial I_{COMP}} = \frac{1}{G_m} \times \frac{\partial V_{COMP}}{\partial V_{DD}}$$

This last equation shows that the open loop gain  $A_{VOL}$  can be related to  $G_m$  and  $Z_{COMP}$ :

$$A_{VOL} = G_m \times Z_{COMP}$$

where  $G_m$  value for VIPer100A-E/ASP-E is 1.5 mA/V typically.

$G_m$  is defined by specification, but  $Z_{COMP}$  and therefore  $A_{VOL}$  are subject to large tolerances. An impedance  $Z$  can be connected between the COMP pin and ground in order to define the transfer function  $F$  of the error amplifier more accurately, according to the following equation (very similar to the one above):

$$F(s) = G_m \times Z(s)$$

The error amplifier frequency response is reported in [Figure 10](#). for different values of a simple resistance connected on the COMP pin. The unloaded transconductance error amplifier shows an internal  $Z_{COMP}$  of about 330K $\Omega$ . More complex impedance can be connected on the COMP pin to achieve different compensation level. A capacitor will provide an integrator function, thus eliminating the DC static error, and a resistance in series leads to a flat gain at higher frequency, insuring a correct phase margin. This configuration is illustrated in [Figure 20](#)

As shown in [Figure 19](#) an additional noise filtering capacitor of 2.2nF is generally needed to avoid any high frequency interference.

Is also possible to implement a slope compensation when working in continuous mode with duty cycle higher than 50%. [Figure 21](#) shows such a configuration. Note: R1 and C2 build the classical compensation network, and Q1 is injecting the slope compensation with the correct polarity from the oscillator sawtooth.

## 5.5 External Clock Synchronization:

The OSC pin provides a synchronisation capability when connected to an external frequency source. [Figure 21](#) shows one possible schematic to be adapted, depending the specific needs. If the proposed schematic is used, the pulse duration must be kept at a low value (500ns is sufficient) for minimizing consumption. The optocoupler must be able to provide 20mA through the optotransistor.

## 5.6 Primary Peak Current Limitation

The primary  $I_{DPEAK}$  current and, consequently, the output power can be limited using the simple circuit shown in [Figure 22](#). The circuit based on Q1,  $R_1$  and  $R_2$  clamps the voltage on the COMP pin in order to limit the primary peak current of the device to a value:

$$I_{DPEAK} = \frac{V_{COMP} - 0.5}{H_{ID}}$$

where:

$$V_{COMP} = 0.6 \times \frac{R_1 + R_2}{R_2}$$

The suggested value for  $R_1 + R_2$  is in the range of 220K $\Omega$ .

## 5.7 Over-Temperature Protection

Over-temperature protection is based on chip temperature sensing. The minimum junction temperature at which over-temperature cut-out occurs is 140°C, while the typical value is 170°C. The device is automatically restarted when the junction temperature decreases to the restart temperature threshold that is typically 40°C below the shutdown value (see [Figure 13](#))

### 5.8 Operation Pictures

Figure 5.  $V_{DD}$  Regulation Point

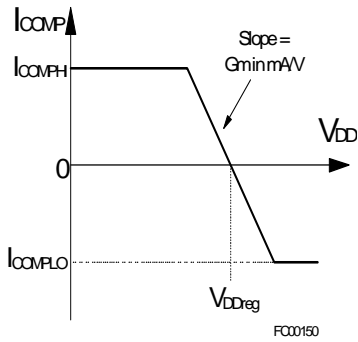


Figure 6. Undervoltage Lockout

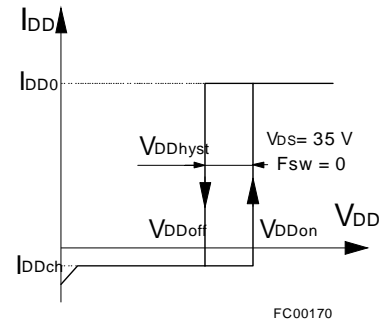


Figure 7. Transition Time

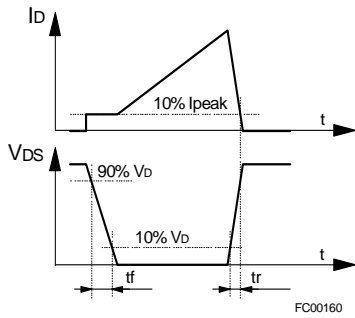


Figure 8. Shutdown Action

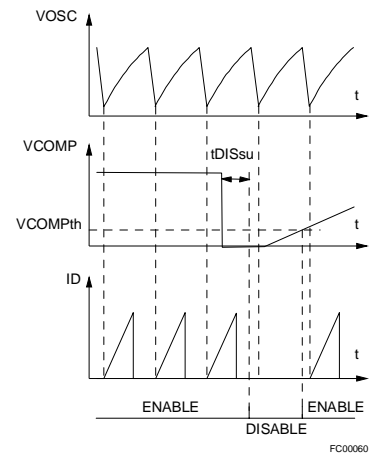


Figure 9. Breakdown Voltage vs. Temperature Figure 10. Typical Frequency Variation

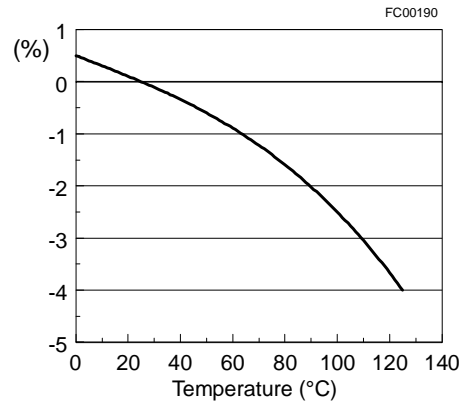
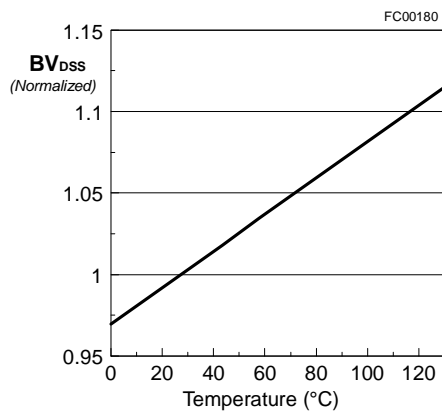


Figure 11. Behaviour of the high voltage current source at start-up

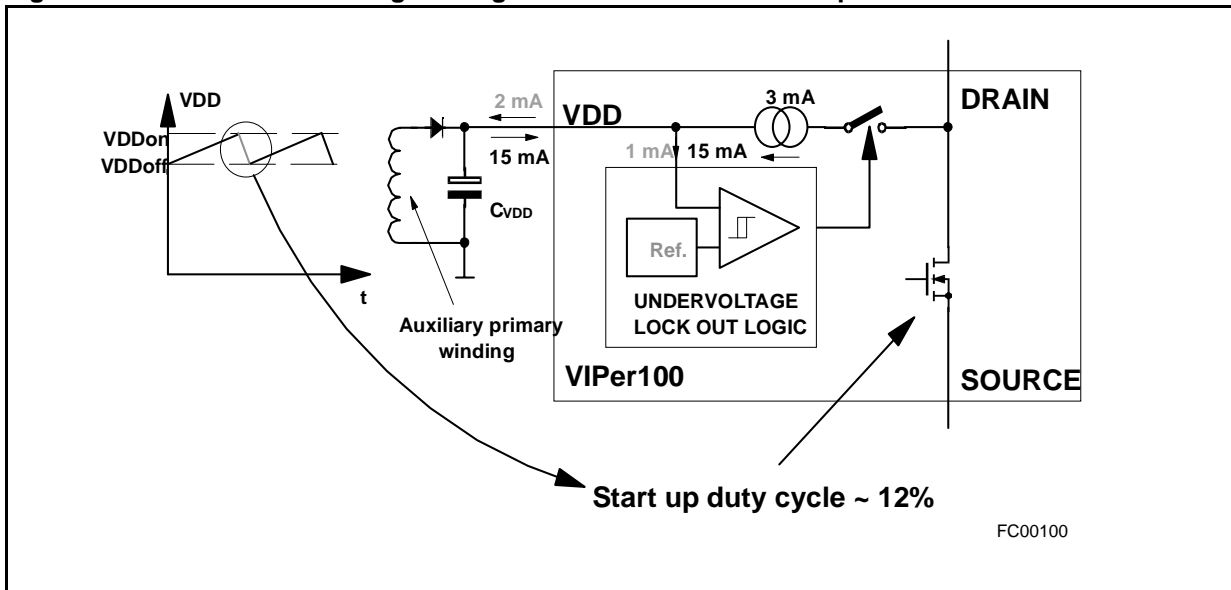


Figure 12. Start-Up Waveforms

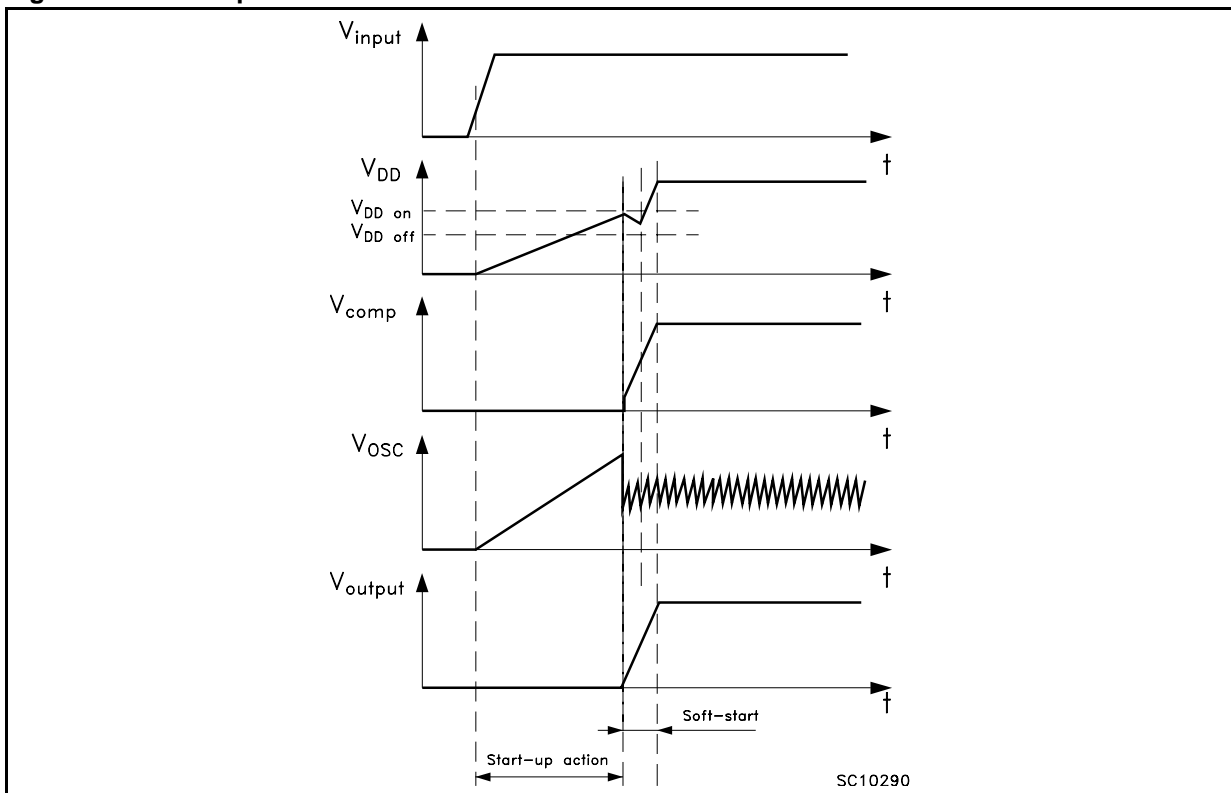




Figure 13. Over-temperature Protection

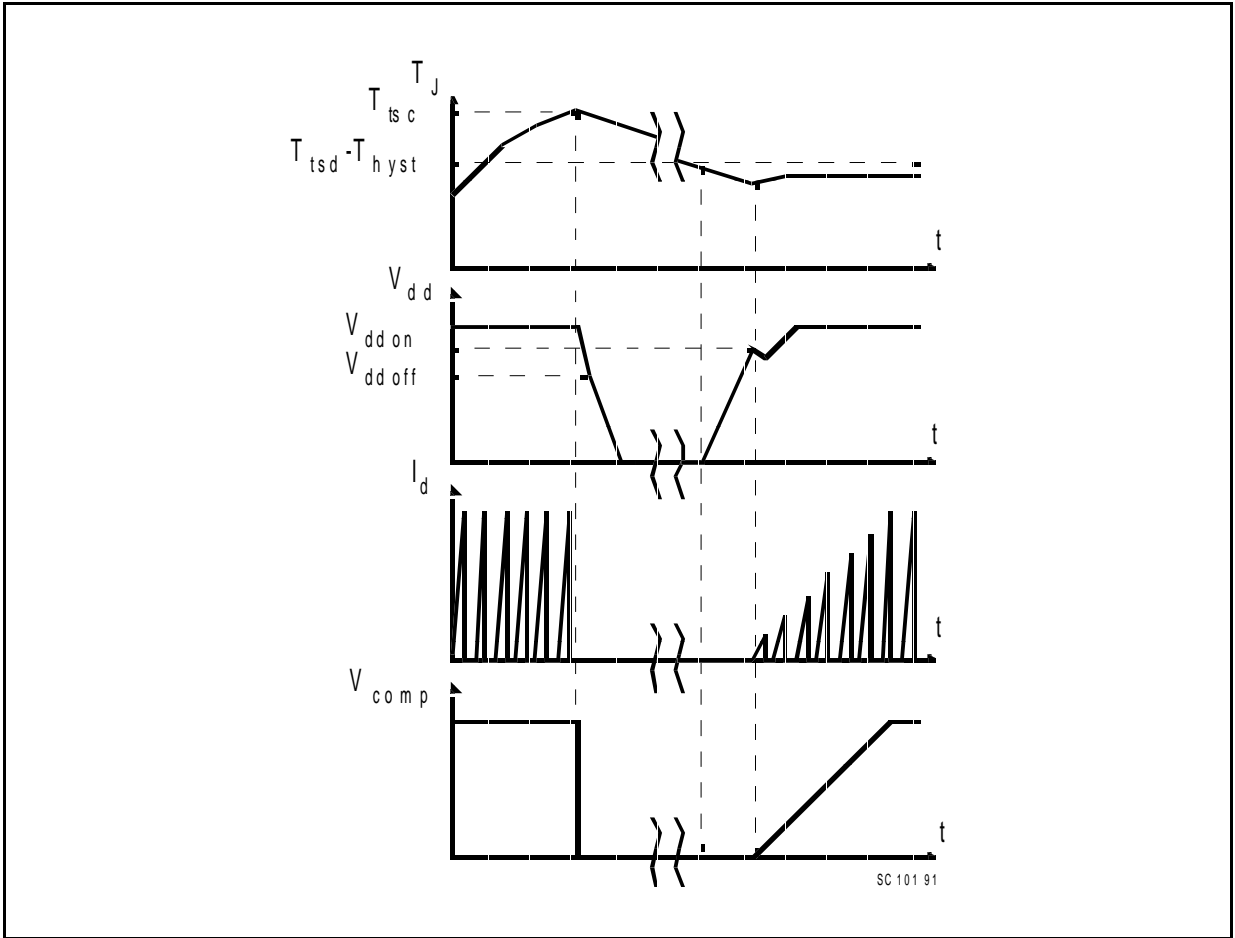


Figure 14. Oscillator

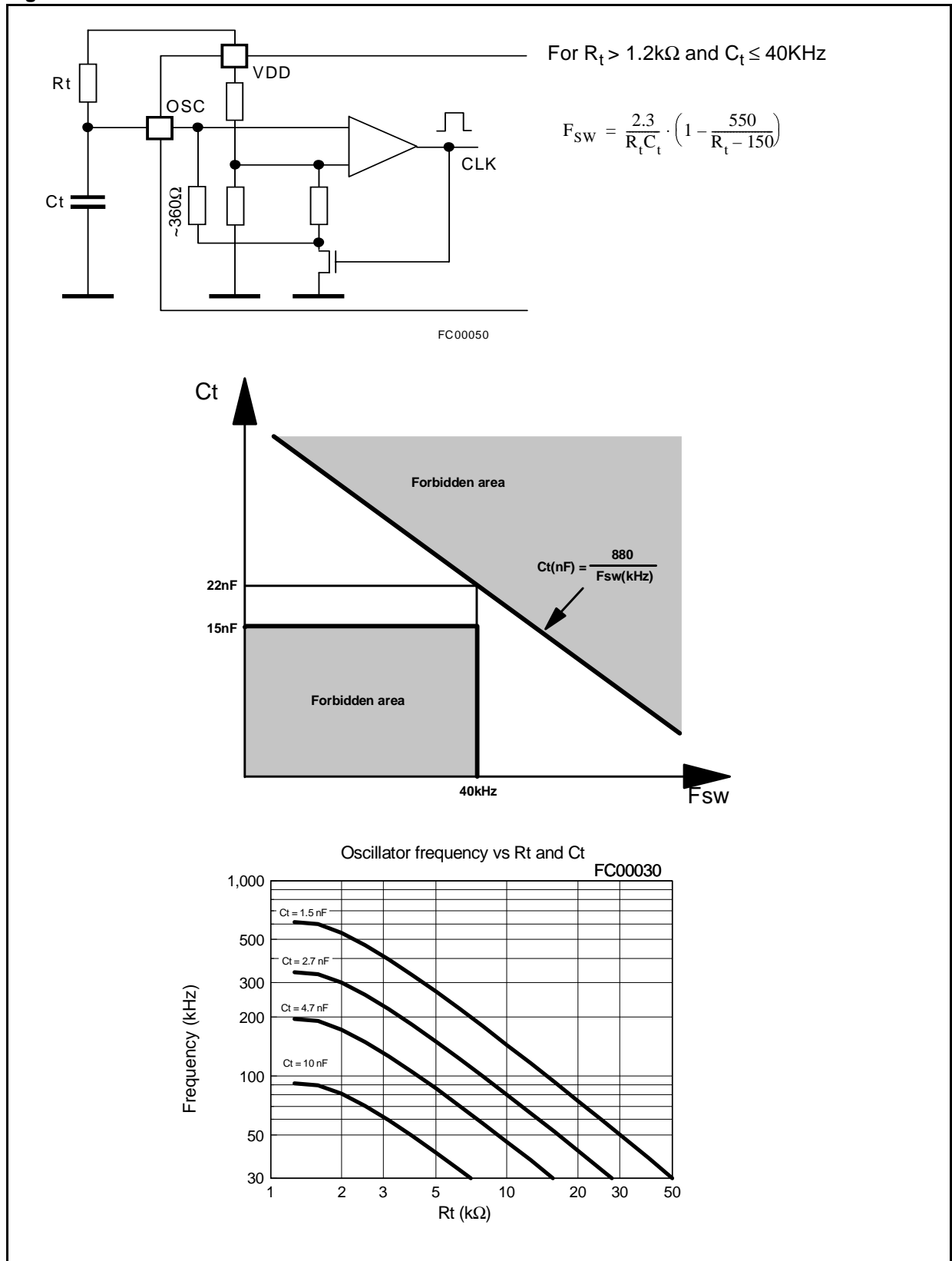


Figure 15. Error Amplifier frequency Response

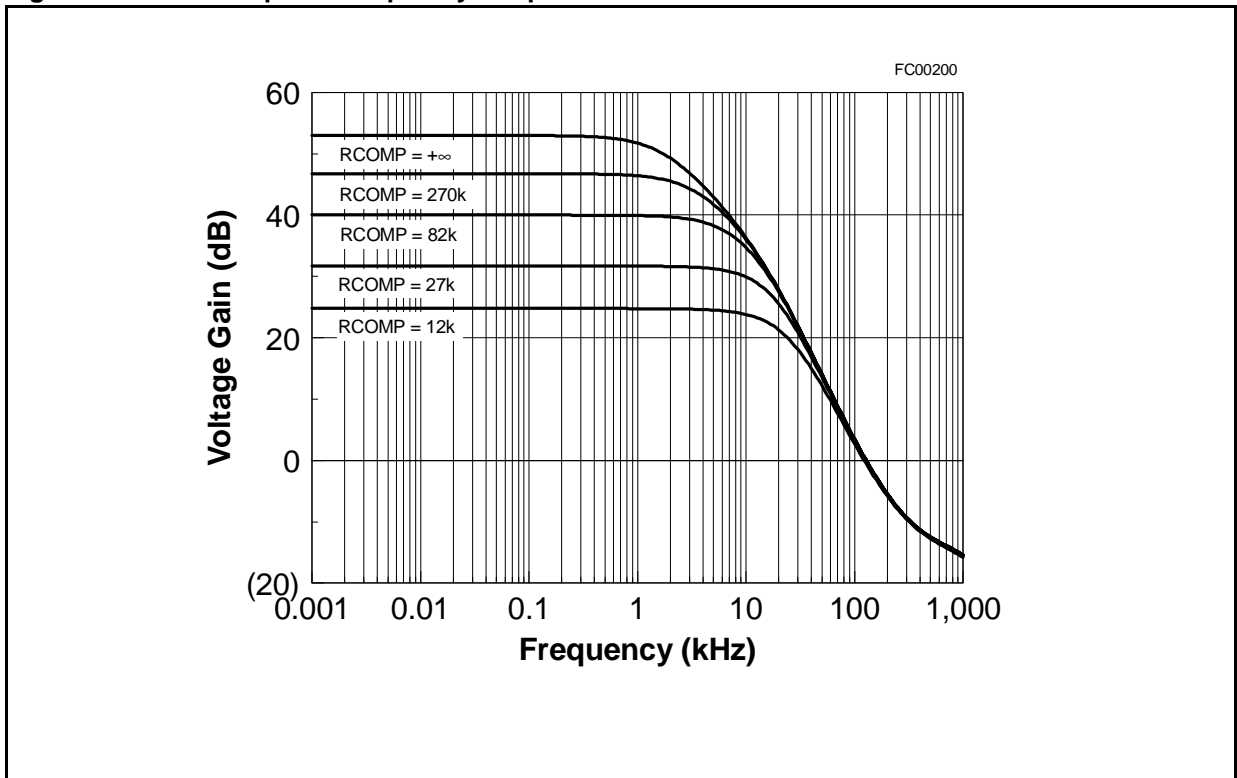
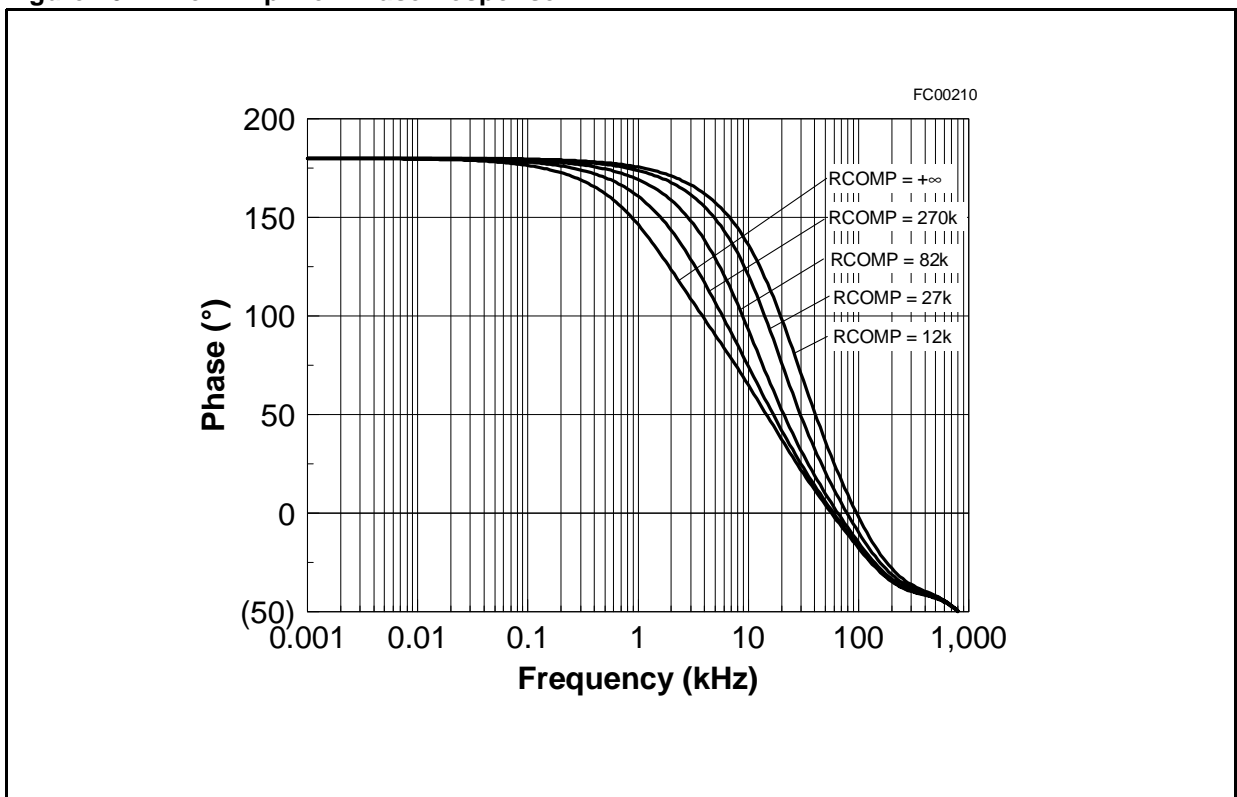
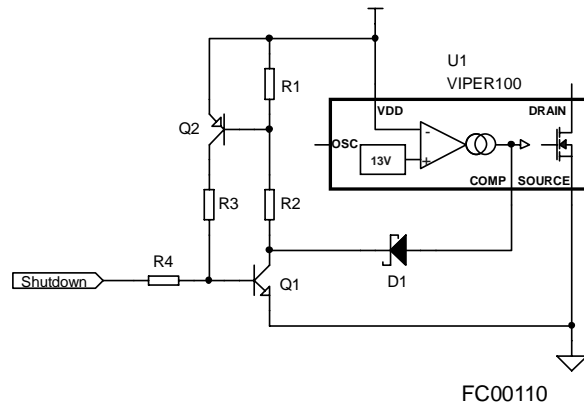
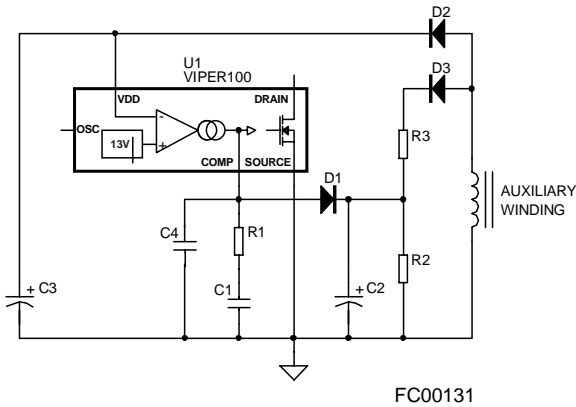


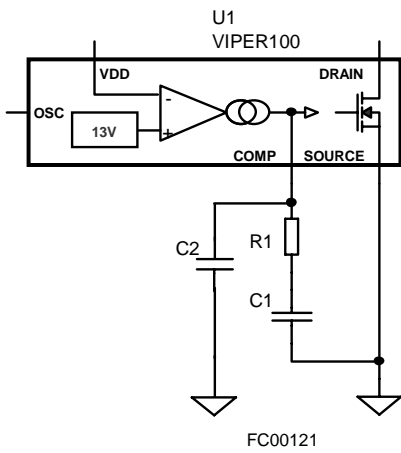
Figure 16. Error Amplifier Phase Response



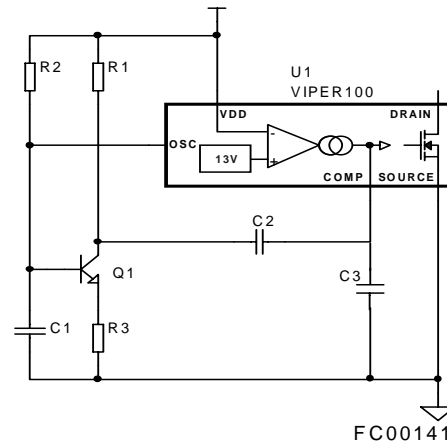
**Figure 17. Mixed Soft Start and Compensation**      **Figure 18. Latched Shut Down**



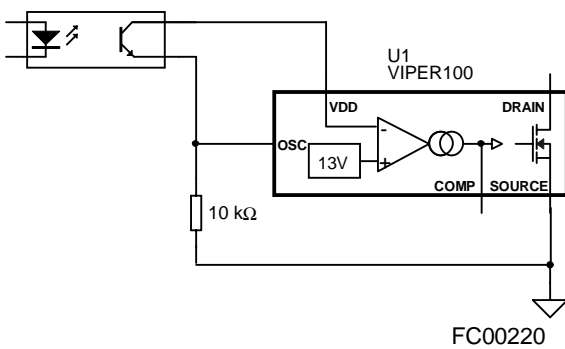
**Figure 19. Typical Compensation Network**



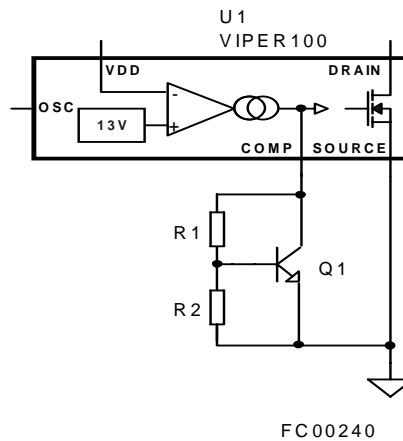
**Figure 20. Slope Compensation**



**Figure 21. External Clock Synchronization**



**Figure 22. Current Limitation Circuit Example**

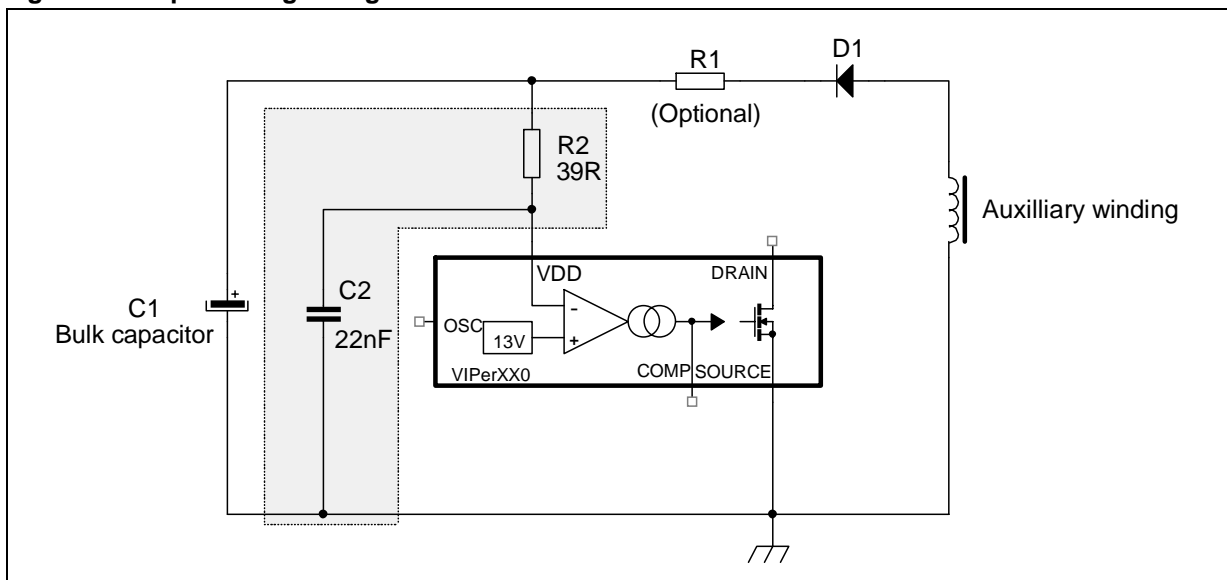


## 6 Electrical Over Stress

### 6.1 Electrical Over Stress Ruggedness

The VIPer may be submitted to electrical over-stress, caused by violent input voltage surges or lightning. Following the Layout Considerations is sufficient to prevent catastrophic damages most of the time. However in some cases, the voltage surges coupled through the transformer auxiliary winding can exceed the  $V_{DD}$  pin absolute maximum rating voltage value. Such events may trigger the  $V_{DD}$  internal protection circuitry which could be damaged by the strong discharge current of the  $V_{DD}$  bulk capacitor. The simple RC filter shown in [Figure 23](#) can be implemented to improve the application immunity to such surges.

Figure 23. Input Voltage Surges Protection



## 7 Layout

### 7.1 Layout Considerations

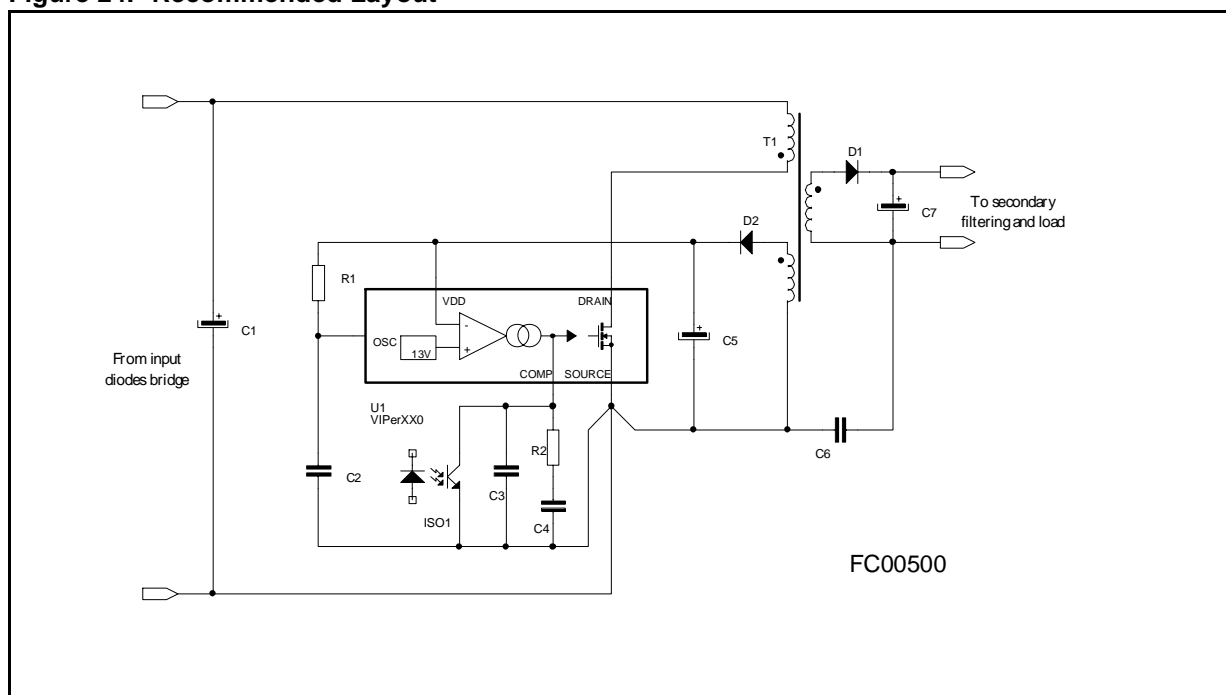
Some simple rules insure a correct running of switching power supplies. They may be classified into two categories:

- Minimizing power loops: The switched power current must be carefully analysed and the corresponding paths must be as small an inner loop area as possible. This avoids radiated EMC noises, conducted EMC noises by magnetic coupling, and provides a better efficiency by eliminating parasitic inductances, especially on secondary side.
- Using different tracks for low level and power signals: Interference due to mixing of signal and power may result in instabilities and/or anomalous behavior of the device in case of violent power surge (Input overvoltages, output short circuits...).

In case of VIPer, these rules apply as shown on (see Figure 24).

- Loops C1-T1-U1, C5-D2-T1, and C7-D1-T1 must be minimized.
- C6 must be as close as possible to T1.
- Signal components C2, ISO1, C3, and C4 are using a dedicated track connected directly to the power source of the device.

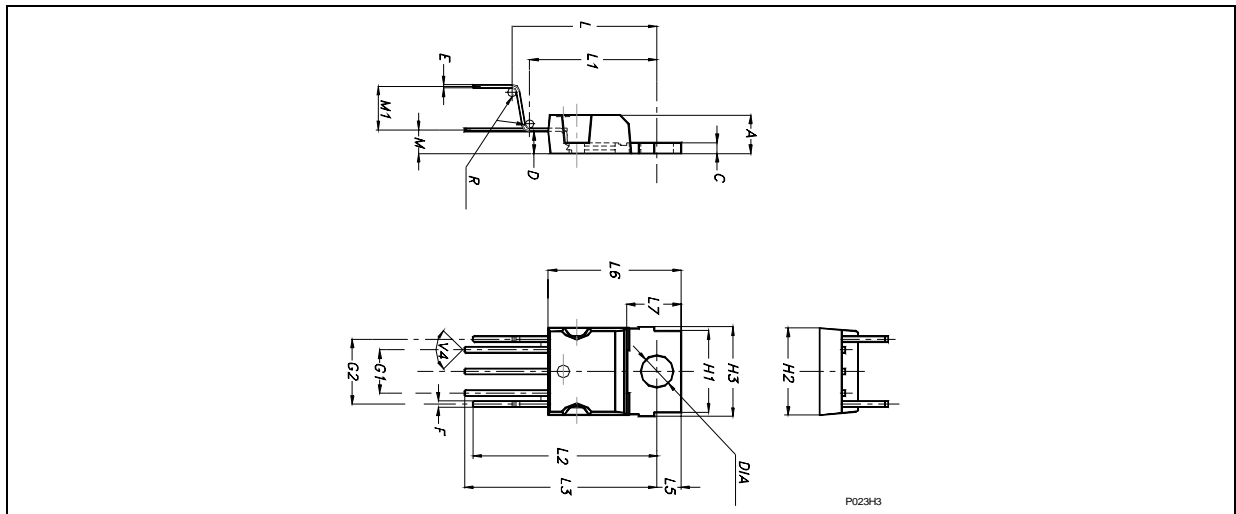
**Figure 24. Recommended Layout**



## 8 Package Mechanical Data

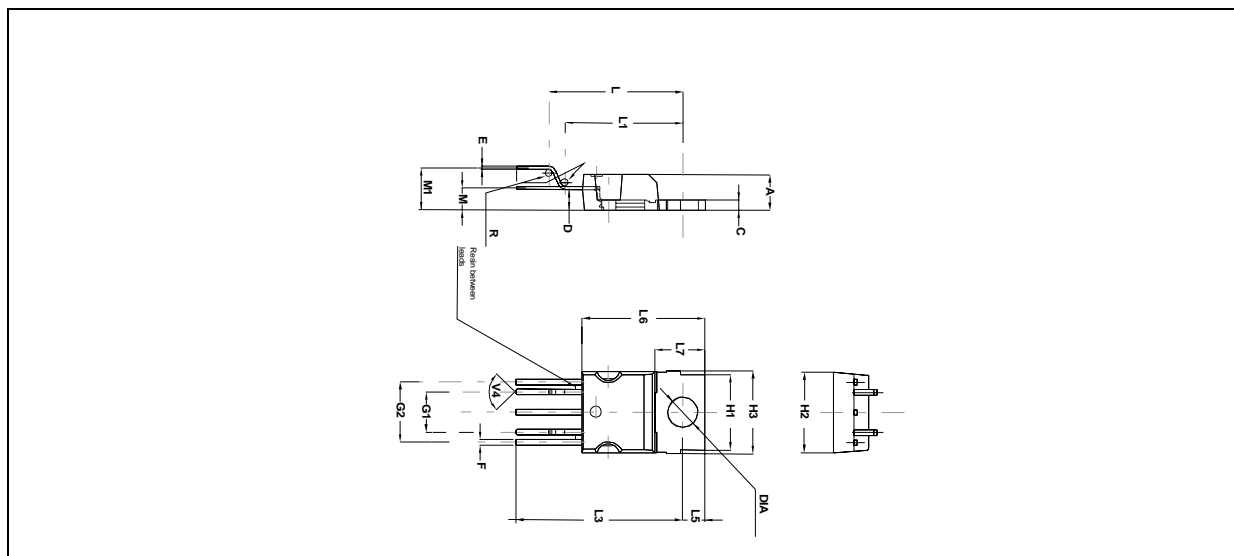
In order to meet environmental requirements, ST offers these devices in ECOPACK® packages. These packages have a Lead-free second level interconnect . The category of second Level Interconnect is marked on the package and on the inner box label, in compliance with JEDEC Standard JESD97. The maximum ratings related to soldering conditions are also marked on the inner box label. ECOPACK is an ST trademark. ECOPACK specifications are available at: [www.st.com](http://www.st.com).

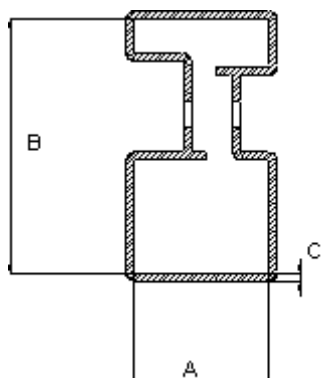
Pentawatt HV Mechanical Data						
Dim	mm.			inch		
	Min.	Typ.	Max.	Min.	Typ.	Max.
A	4.30		4.80	0.169		0.189
C	1.17		1.37	0.046		0.054
D	2.40		2.80	0.094		0.11
E	0.35		0.55	0.014		0.022
F	0.60		0.80	0.024		0.031
G1	4.91		5.21	0.193		0.205
G2	7.49		7.80	0.295		0.307
H1	9.30		9.70	0.366		0.382
H2			10.40			0.409
H3	10.05		10.40		0.396	0.409
L	15.60		17.30	6.14		0.681
L1	14.60		15.22	0.575		0.599
L2	21.20		21.85	0.835		0.860
L3	22.20		22.82	0.874		0.898
L5	2.60		3	0.102		0.118
L6	15.10		15.80	0.594		0.622
L7	6		6.60	0.236		0.260
M	2.50		3.10	0.098		0.122
M1	4.50		5.60	0.177		0.220
R	0.50			0.02		
V4	90°					
Diam	3.65		3.85	0.144		0.152





Pentawatt HV 022Y ( Vertical High Pitch ) Mechanical Data						
Dim	mm.			inch		
	Min.	Typ.	Max.	Min.	Typ.	Max.
A	4.30		4.80	0.169		0.189
C	1.17		1.37	0.046		0.054
D	2.40		2.80	0.094		0.110
E	0.35		0.55	0.014		0.022
F	0.60		0.80	0.024		0.031
G1	4.91		5.21	0.193		0.205
G2	7.49		7.80	0.295		0.307
H1	9.30		9.70	0.366		0.382
H2			10.40			0.409
H3	10.05		10.40	0.396		0.409
L	16.42		17.42	0.646		0.686
L1	14.60		15.22	0.575		0.599
L3	20.52		21.52	0.808		0.847
L5	2.60		3.00	0.102		0.118
L6	15.10		15.80	0.594		0.622
L7	6.00		6.60	0.236		0.260
M	2.50		3.10	0.098		0.122
M1	5.00		5.70	0.197		0.224
R		0.50		0.02	0.020	
V4		90°			90°	
Diam	3.65		3.85	0.144		0.154



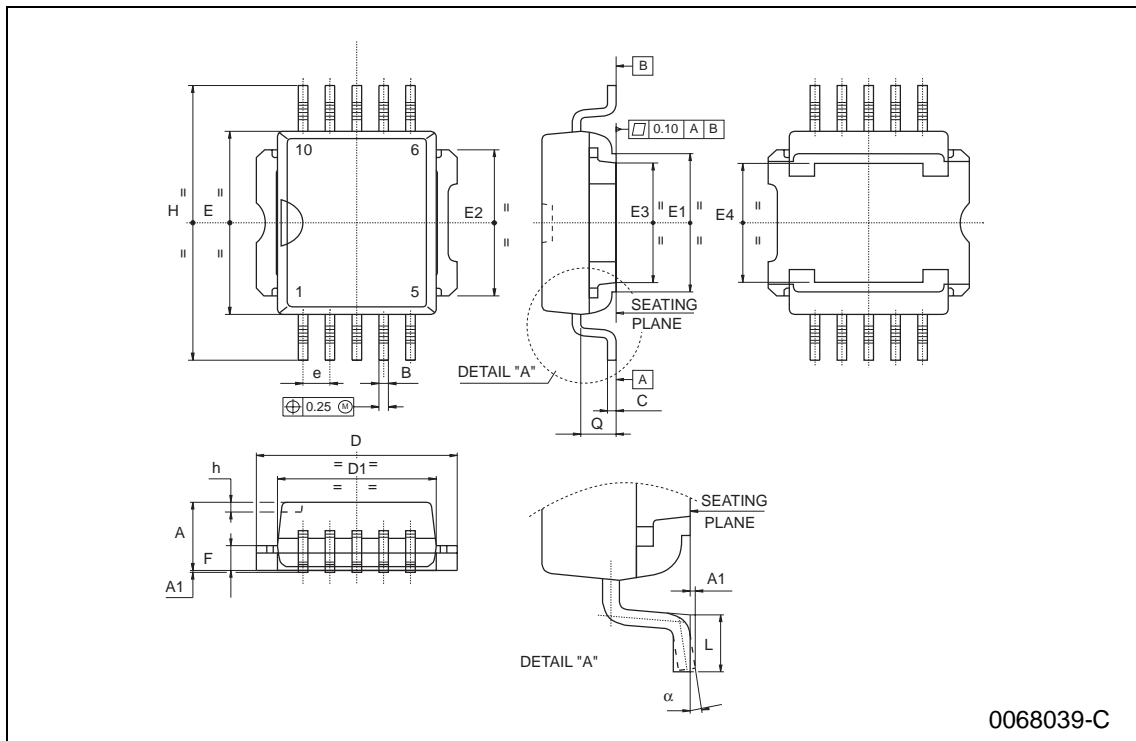
**Figure 25. Pentawatt HV Tube Shipment ( no suffix )**

<b>Base Q.ty</b>	50
<b>Bulk Q.ty</b>	1000
<b>Tube length ( ± 0.5 )</b>	532
<b>A</b>	18
<b>B</b>	33.1
<b>C ( ± 0.1 )</b>	1

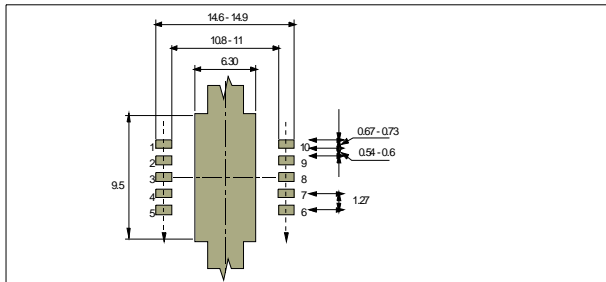
All dimensions are in mm.

**PowerSO-10 MECHANICAL DATA**

DIM.	mm			inch		
	MIN.	TYP.	MAX.	MIN.	TYP.	MAX.
A	3.35		3.65	0.132		0.144
A1	0.00		0.10	0.000		0.004
B	0.40		0.60	0.016		0.024
C	0.35		0.55	0.013		0.022
D	9.40		9.60	0.370		0.378
D1	7.40		7.60	0.291		0.300
e		1.27			0.050	
E	9.30		9.50	0.366		0.374
E1	7.20		7.40	0.283		0.291
E2	7.20		7.60	0.283		0.300
E3	6.10		6.35	0.240		0.250
E4	5.90		6.10	0.232		0.240
F	1.25		1.35	0.049		0.053
h		0.50			0.002	
H	13.80		14.40	0.543		0.567
L	1.20		1.80	0.047		0.071
q		1.70			0.067	
$\alpha$	0°		8°			



**PowerSO-10™ SUGGESTED PAD LAYOUT**



**TUBE SHIPMENT (no suffix)**

All dimensions are in mm.

	Base Q.ty	Bulk Q.ty	Tube length (± 0.5)	A	B	C (± 0.1)
Casablanca	50	1000	532	10.4	16.4	0.8
Muar	50	1000	532	4.9	17.2	0.8

**TAPE AND REEL SHIPMENT (suffix "13TR")**

**REEL DIMENSIONS**

Base Q.ty	600
Bulk Q.ty	600
A (max)	330
B (min)	1.5
C (± 0.2)	13
F	20.2
G (+ 2 / -0)	24.4
N (min)	60
T (max)	30.4

All dimensions are in mm.

**TAPE DIMENSIONS**  
According to Electronic Industries Association (EIA) Standard 481 rev. A, Feb. 1986

Tape width	W	24
Tape Hole Spacing	P0 (± 0.1)	4
Component Spacing	P	24
Hole Diameter	D (± 0.1/-0)	1.5
Hole Diameter	D1 (min)	1.5
Hole Position	F (± 0.05)	11.5
Compartment Depth	K (max)	6.5
Hole Spacing	P1 (± 0.1)	2

All dimensions are in mm.

## 9 Order Codes

<b>PENTAWATT HV</b>	<b>PENTAWATT HV (022Y)</b>	<b>PowerSO-10</b>
VIPer100A-E	VIPer100A-22-E	VIPer100ASP-E

## 10 Revision history

Date	Revision	Changes
23-Sep-2005	1	Initial release.

Information furnished is believed to be accurate and reliable. However, STMicroelectronics assumes no responsibility for the consequences of use of such information nor for any infringement of patents or other rights of third parties which may result from its use. No license is granted by implication or otherwise under any patent or patent rights of STMicroelectronics. Specifications mentioned in this publication are subject to change without notice. This publication supersedes and replaces all information previously supplied. STMicroelectronics products are not authorized for use as critical components in life support devices or systems without express written approval of STMicroelectronics.

The ST logo is a registered trademark of STMicroelectronics.  
All other names are the property of their respective owners

© 2005 STMicroelectronics - All rights reserved

STMicroelectronics group of companies

Australia - Belgium - Brazil - Canada - China - Czech Republic - Finland - France - Germany - Hong Kong - India - Israel - Italy - Japan -  
Malaysia - Malta - Morocco - Singapore - Spain - Sweden - Switzerland - United Kingdom - United States of America

[www.st.com](http://www.st.com)

