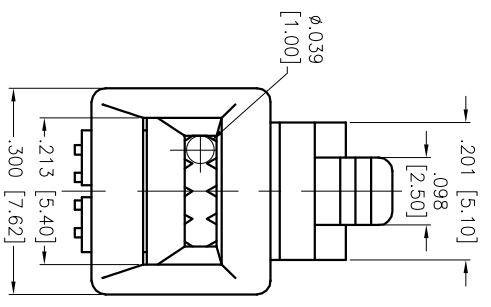
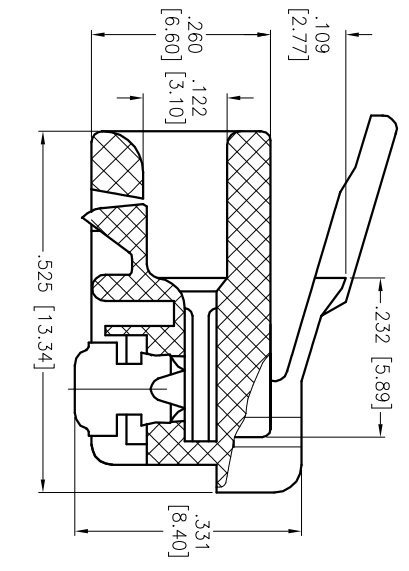
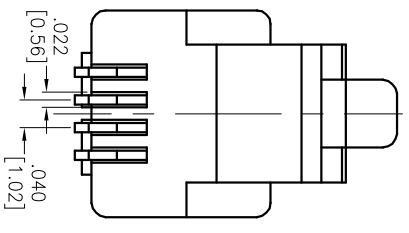
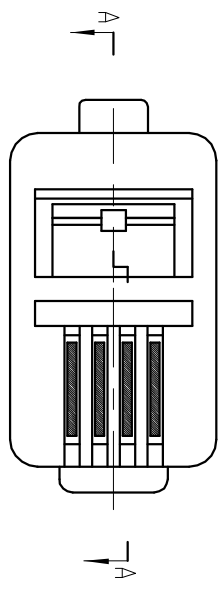


APPROVED: _____
 DATE: _____ TITLE: _____

Rev	AWO #	Description	Date	Appr
-		RELEASED	10/4/04	
A		REDRAWN	10/23/12	



"X"	PLATING
X	Gold flash
U	15 μin Gold
W	30 μin Gold
G	50 μin Gold

SPECIFICATIONS:

Material: Polycarbonate, rated UL 94V-0
 Insulator color: Clear
 Contacts: Phosphor Bronze
 Plating: Gold over Nickel underplate on contact area
 Electrical: Insulation resistance: 1,000 Mohms min
 Dielectric withstanding voltage: 1,000 VAC for 1 minute
 Environmental: Lead free, RoHS compliant



ADAM TECH

909 Railway Avenue, Union, NJ 07083
 Phone: 908-687-5000 Fax: 908-687-5710

MODULAR TELEPHONE PLUG, 4P4C
 STANDARD OVAL WIRE TYPE

UNLESS OTHERWISE SPECIFIED ALL DIMENSIONS ARE INCHES [MM]	
TOLERANCES: EXCEPT AS NOTED	
INCHES	HOLES
.X ± .10	Ø.X ± .10
.XX ± .020	Ø.XX ± .015
.XXX ± .015	Ø.XXX ± .010
APPROVALS	DATE
DRAWN SS	10/4/04
CHECKED	
APPROVED	

REF: S0003C	SCALE: NTS	SHEET 1 OF 1
SIZE X	PART NO. MTP-44-X	REV. A
TITLE: MODULAR TELEPHONE PLUG, 4P4C STANDARD OVAL WIRE TYPE		

6 5 4 3 2 1