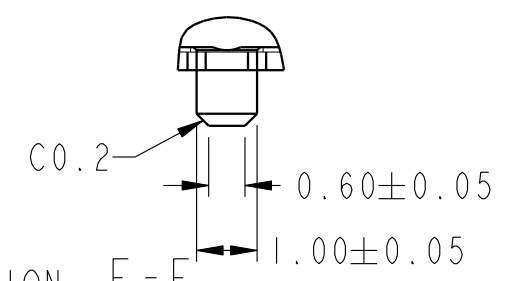
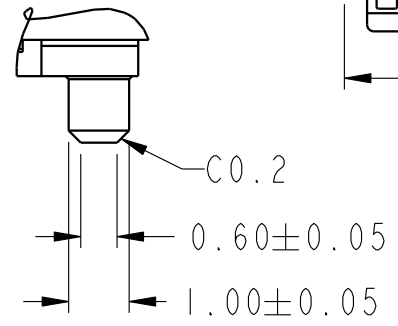
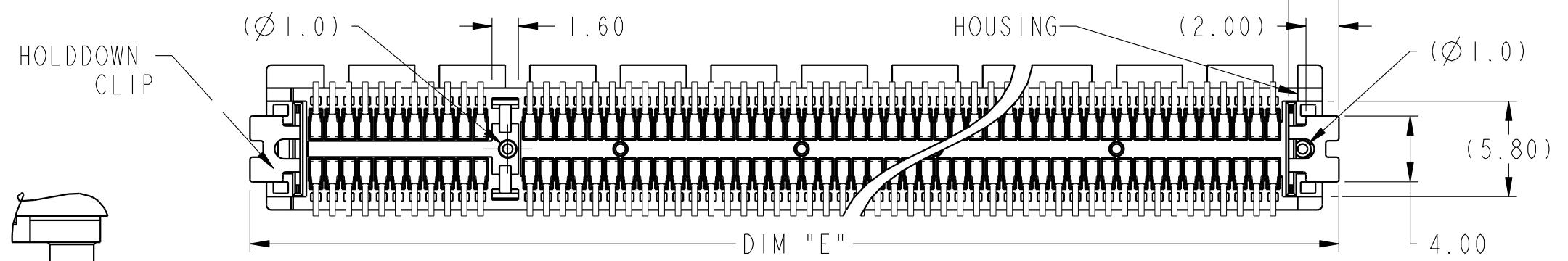
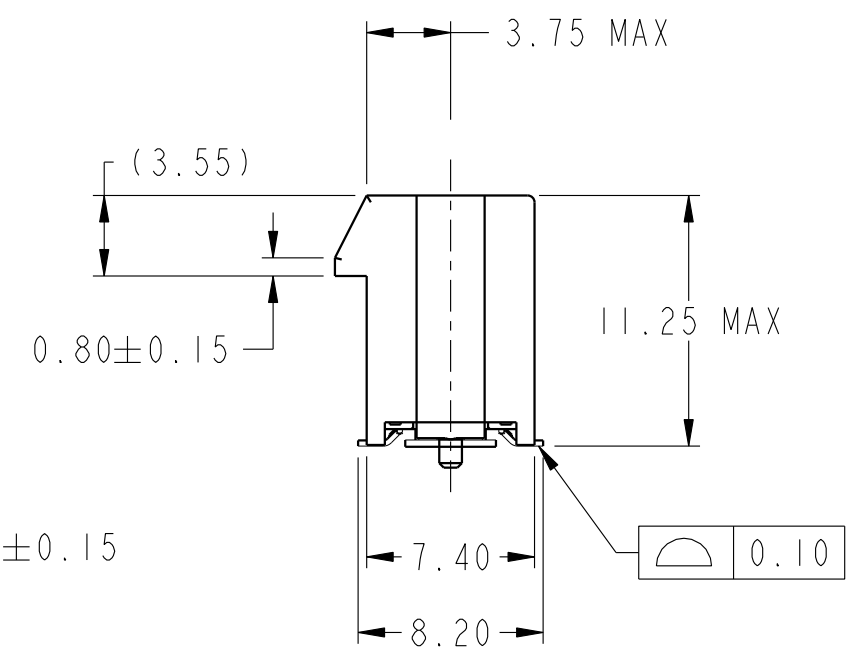
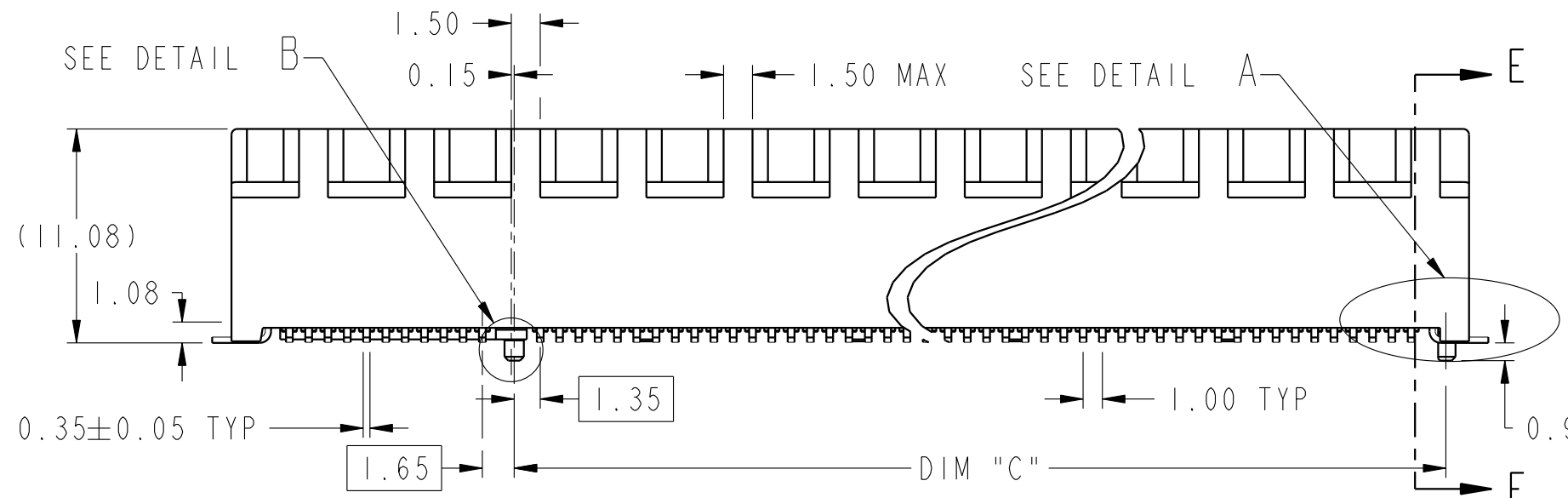
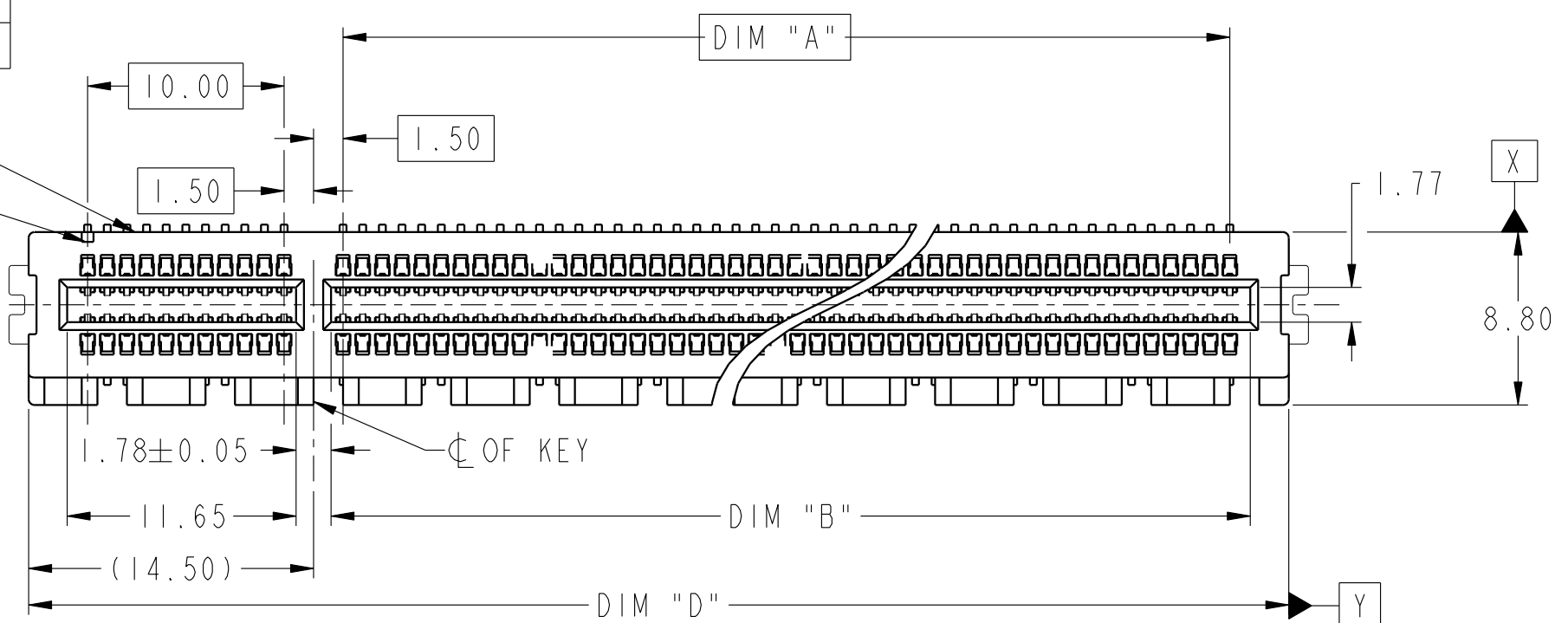


PRODUCT PARTNUMBER
10128241-XXXXOLF

PARTNO &
DATECODE

#AI IDENTIFIER

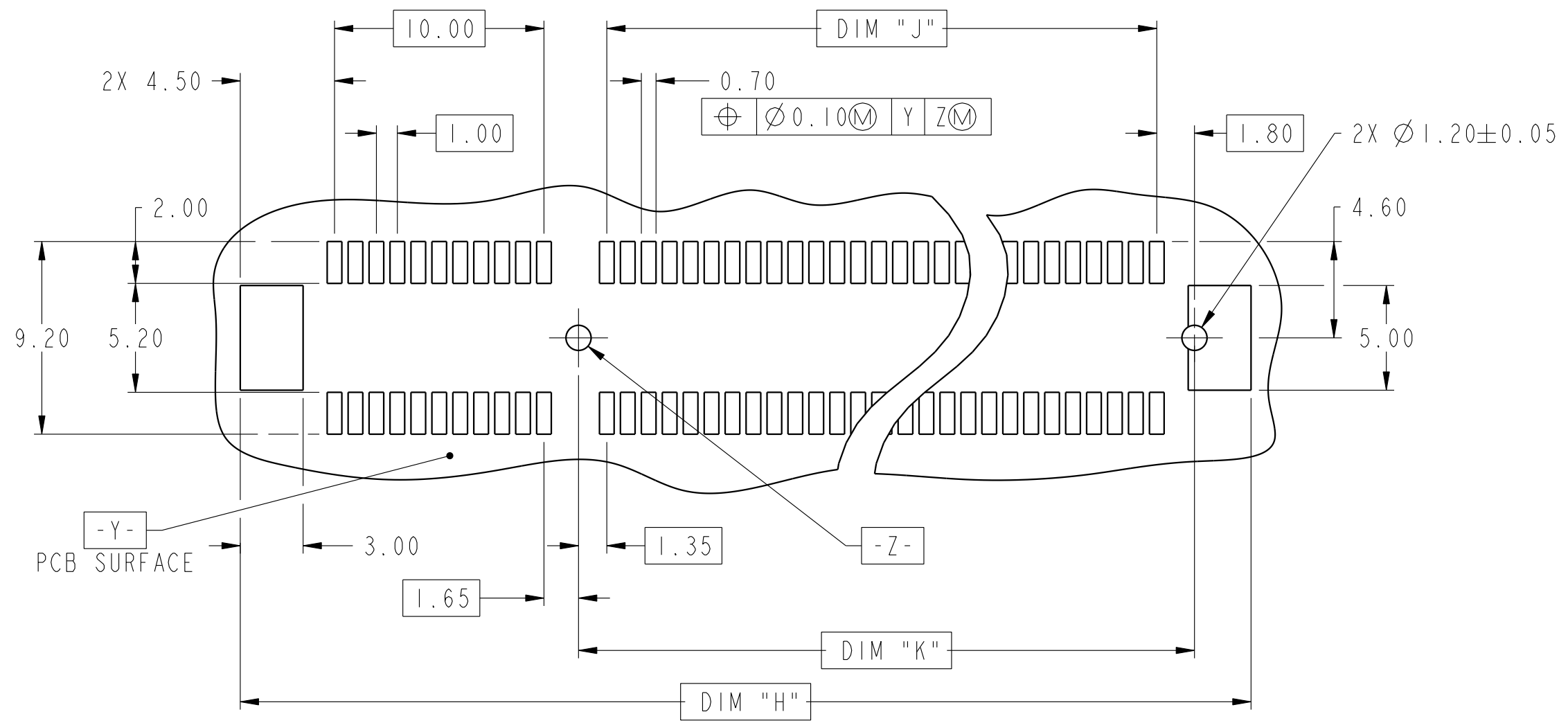


PRELIMINARY

spec ref	-	dr	M. Cheong	2016-04-26	projection	MM	size	A3	scale	3:1	
tolerance std	ISO 406 ISO 1101	eng	M. Cheong	2017-11-10			ecn no	rel level			In Work
TOLERANCES UNLESS OTHERWISE SPECIFIED		chr					product family	PCI express			
surface	linear	appr			PCI Express 4.0		dwg no	10128241		rev	8
ISO 1302	angular	Amphenol FCI www.fci.com		cat. no.	-		Product - Customer Drw		sheet 1 of 4		

Amphenol FCI

© 2016 AFCI



RECOMMENDED PCB LAYOUT, PAD TYPE

DIMENSIONS								
POSITION	A	B $\begin{smallmatrix} +0.15 \\ -0.05 \end{smallmatrix}$	C ± 0.10	D ± 0.23	E ± 0.20	H ± 0.10	J	K ± 0.10
36	6.00	7.65	9.15	25.00	27.00	28.00	6.00	9.15
64	20.00	21.65	23.15	39.00	41.00	42.00	20.00	23.15
98	37.00	38.65	40.15	56.00	58.00	59.00	37.00	40.15
164	70.00	71.65	73.15	89.00	91.00	92.00	70.00	73.15

PRELIMINARY

spec ref	-	dr	M. Cheong	2016-04-26	projection	MM	size	A3	scale	4:1
tolerance std	ISO 406 ISO 1101	TOLERANCES UNLESS OTHERWISE SPECIFIED			eng	M. Cheong	2017-11-10	ecn no		
surface	-	chr				appr	product family			PCI express
ISO 1302	linear	0.X	±0.30	Amphenol FCI		PCI Express 4.0		rel level		In Work
	angular	0°	±2°	www.fci.com		SMT Type		dwg no		10128241
				cat. no.	-	Product - Customer Drw			rev	8
							sheet 3 of 4			

PRODUCT NUMBER CODE

10128241- □□□□ 0LF

HOUSING COLOR

0: WHITE
1: BLACK

CONTACT AREA PLATING

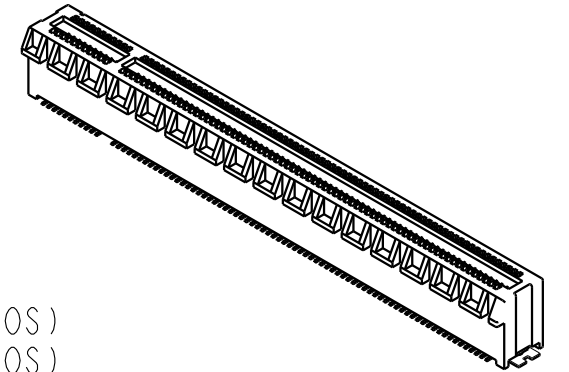
1: 30u" Au
2: 15u" Au

PACKAGING OPTIONS

A: HARD TRAY (DIM: 323 x 136 x 19) WITH KAPTON TAPE (164 POS)
C: SOFT TRAY (317.5 x 235 x 18) WITH PICK-UP CAP (36 & 64 POS)
T: SOFT TRAY (317.5 x 235 x 18) WITH KAPTON TAPE (36 & 64 POS)
X: HARD TRAY (DIM: 330 x 235 x 19.3) WITH PICK UP CAP (98 & 164 POS)
Y: HARD TRAY (DIM: 330 x 235 x 19.3) WITH KAPTON TAPE (98 & 164 POS)
Z: HARD TRAY (DIM: 330 x 235 x 19.3) WITH KAPTON TAPE, 86MM (164 POS)

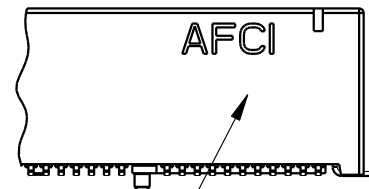
NO. OF POSITION

0: 36 POSITIONS
1: 64 POSITIONS
2: 98 POSITIONS
3: 164 POSITIONS



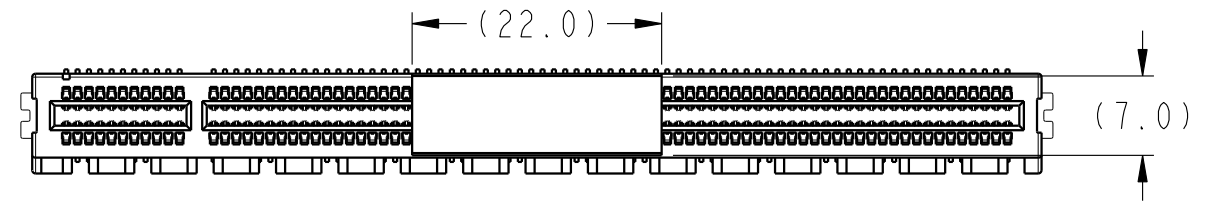
NOTES:

- MATERIAL:**
HOUSING: HIGH PERFORMANCE RESINS, GLASS FILLED, UL94V-0
CONTACT: COPPER ALLOY.
METAL PADS: COPPER ALLOY
- PLATING:**
CONTACT: UNDERPLATE: 50u" NICKEL OVER ALL.
SOLDER AREA: 100u" TIN (LEAD FREE).
MATING AREA: SEE PRODUCT NUMBER CODE.
HOLDDOWN CLIP: 100u" TIN OVER 50 u" NICKEL.
- PRODUCT SPECIFICATION:** GS-12-1406
- PRODUCT MEETS EUROPEAN UNION DIRECTIVES AND OTHER COUNTRY REGULATIONS AS DESCRIBED IN GS-22-008.**
- DATE CODE "MMDDYYL", MMDDYY IS ASSEMBLY DATE. L IS AFCI PRODUCTION SITE.**
- THIS PRODUCT MEETS EUROPEAN UNION DIRECTIVES AND OTHER COUNTRY REGULATIONS AS DESCRIBED IN GS-47-004.**
- THE HOUSING WILL WITHSTAND EXPOSURE TO 260° PEAK TEMPERATURE FOR 10 SECONDS IN A CONVECTION, INFRA-RED OR VAPOR PHASE REFLOW OVEN.**

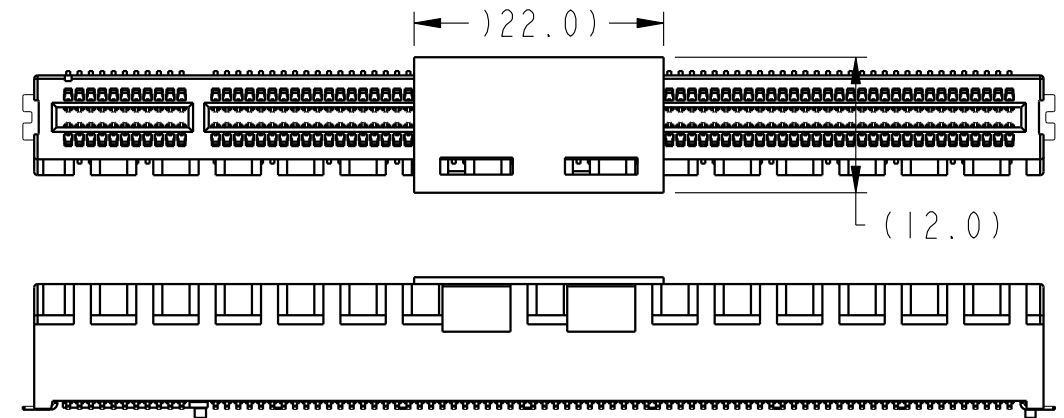


DATA CODE & PARTNO

POSITION OF KAPTON TAPE



POSITION OF PICK UP CAP



PRELIMINARY

spec ref -		dr M. Cheong	2016-04-26	projection	MM	size A3	scale 2:1
tolerance std		eng M. Cheong	2017-11-10			ecn no	
ISO 406	TOLERANCES UNLESS OTHERWISE SPECIFIED					product family	PCI express
ISO 1101						dwg no	
surface		linear	0.X	±0.30	PCI Express 4.0		10128241
		0.XX	±0.20	SMT Type		rev	
		0.XXX	±0.1	www.fci.com		8	
ISO 1302	angular	0°	±2°	cat. no.		Product - Customer Drw	
						sheet 4 of 4	