



Our DC Motors are a cost-effective solution for any application. They offer simple integration and come in a variety of sizes. With endless performance combinations, we have a tailored motor solution for you.

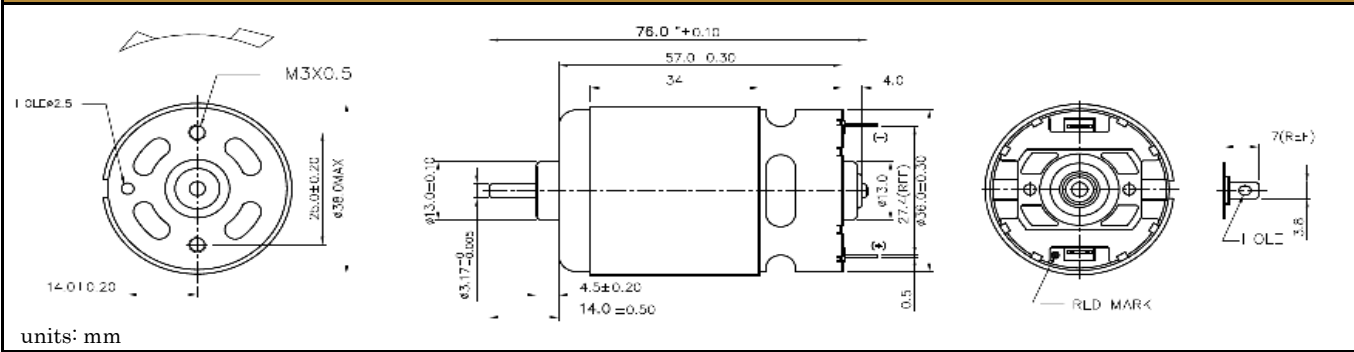


Contact Us for alternative solutions!

Specifications

<b>Motor Type:</b>	Carbon - Brushed	<b>No-Load Speed:</b>	5,000 rpm (+/- 10%)
<b>Rated Voltage:</b>	24V DC	<b>No-Load Current:</b>	<200 mA
<b>Rated Speed:</b>	4,300 rpm	<b>Stall Torque:</b>	1.8 kg.cm
<b>Rated Torque:</b>	274 g.cm	<b>Max. Power:</b>	24 W
<b>Rated Current:</b>	725 mA	<b>Termination Style:</b>	Terminals

Dimensions



Performance Curve

