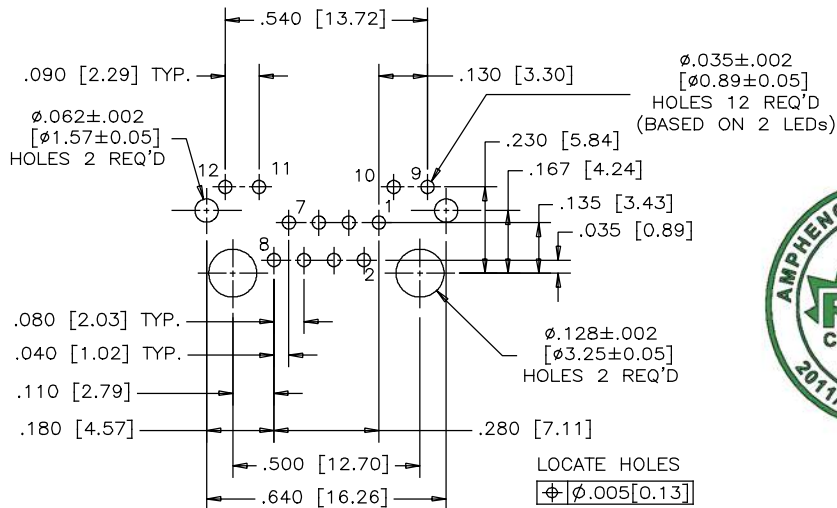


RECOMMENDED PANEL CUTOUT



RECOMMENDED P.C.B. LAYOUT
(COMPONENT SIDE OF BOARD)

LOCATE HOLES
 $\phi \pm 0.005 [0.13]$
 POSITION DIMENSIONS
 ARE BASIC



MATERIALS:

PLASTIC HOUSING: HIGH TEMPERATURE THERMOPLASTIC
 FLAMMABILITY RATING UL 94V-0 COLOR: BLACK.

CONTACTS: PHOSPHOR BRONZE
 (FLAT) PLATING: 30 μ " [0.76 MICRONS]
 MIN. GOLD ON MATING SURFACES.
 50 μ " [1.27 MICRONS]
 MIN. NICKEL UNDERPLATE
 100 μ " [2.54 MICRONS]
 MIN. MATTE TIN ON CONTACT TAILS.

SHIELD: STAINLESS STEEL WITH TIN DIPPED ON SOLDER TAILS.

RECOMMENDED SOLDERING TEMPERATURE:
 WAVE SOLDERING TEMPERATURE AT 260°C MAXIMUM
 FOR 5 SEC MAXIMUM.

AMPHENOL PART NUMBER: RJHSE-3P8X

REFER TO LED OPTIONS DRAWING
 FOR ORDERING CODES

REVISIONS				
REV	DESCRIPTION, ECN, EAR NO.	DATE	APP'D	
B	PROPOSAL	MAY 12/06	L.CHAN	
C	ADD GENERAL TOLERANCE	AUG 31/16	L.CHAN	
D	UPDATED SHIELD WITH NOTCH	APR 13/17	L.CHAN	

UNLESS SPECIFIED OTHERWISE	DRAWN PAUL W	DATE MAY 12/06	Amphenol Canada Corp. www.amphenolcanada.com TITLE SINGLE PORT MODULAR JACK, VERTICAL MOUNT, 8 POSITIONS, 8 CONTACTS, WITH LED OPTION, WITH FLANGE-RoHS COMPLIANT
PRIMARY UNITS INCHES	CHECKED CHIGOW	DATE MAY 12/06	
SECONDARY MILLIMETERS	M.E. APP'D		DWG. NO. P-RJHSE-3P8X
REFERENCE IN PARENTHESES	Q.A. APP'D		REV D
GENERAL TOLERANCES	DWG APPR.		CODE ID NO. 03554 DWG SIZE: C SCALE: 3/1 SHEET 1 OF 1
1 DECIMAL PLACE ±.025	ENG. REL. NO.		
2 DECIMAL PLACES ±.020	REF.		
3 DECIMAL PLACES ±.015	THIRD ANGLE PROJECTION	DO NOT SCALE DRAWING	
ANGULAR DEGREES ±1.0°			