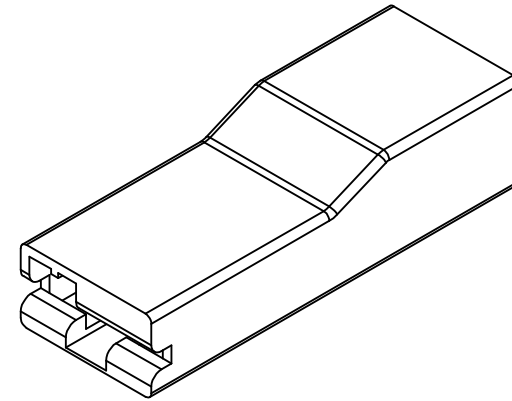
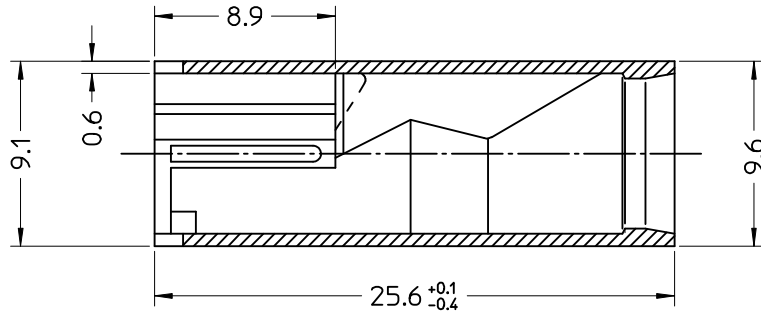
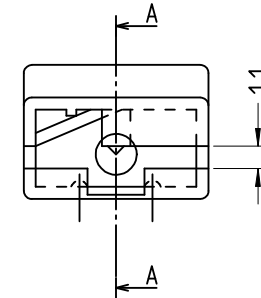
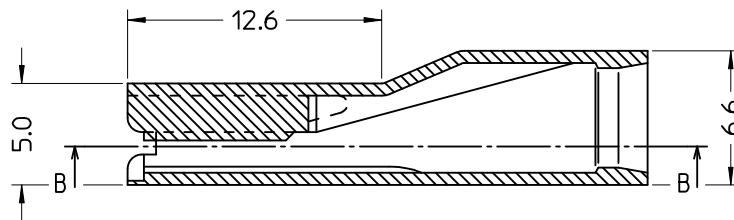


SEZIONE B-B



SEZIONE A-A



STD DESCR: HSG FOR 6.3 F TERM

CODICE P/N	COLORE COLOUR	MATERIALE sec. UL-94 MATERIAL ref. UL-94	CONFEZIONE PACKAGING
94090-5320	NATURALE/NATURAL	PA 6.6 V2	12.000 PZ IN SCATOLA (SPO) 12.000 PCS IN CARTON BOX (SPO)
94090-5321	NERO/BLACK	PA 6.6 HB	
94090-5322	ROSSO/RED	PA 6.6 HB	
94090-5326	NERO/BLACK	PA 6.6 V0	
94090-5324	NATURALE/NATURAL	NYLON 6.6 GWT 750°C IEC 60335-1 TEST METHOD IEC 60695-2-11	

EC NO: Z2008-0222 DRWN:SBARBIER 2008/06/23 CHKD:LSANTESSO 2008/06/23 APPR:FBI SELLO 2008/06/24	QUALITY SYMBOLS	GENERAL TOLERANCES (UNLESS SPECIFIED)	DIMENSION STYLE	SCALE	DESIGN UNITS	FIRST ANGLE PROJECTION
	DESCRIPTION	mm INCH	MM ONLY	4:1	METRIC	

4 PLACES	± ---	± ---
3 PLACES	± ---	± ---
2 PLACES	± ---	± ---
1 PLACE	± 0.2	± ---
ANGULAR ± 3 °		
DRAFT WHERE APPLICABLE MUST REMAIN WITHIN DIMENSIONS		

DRAWN BY	DATE	TITLE
LSANTESSO	1993/03/16	1 CKT HOUSING FOR FEMALE TERMINAL SERIES Z630
CHECKED BY	DATE	
MPREVIATO	1993/03/16	
APPROVED BY	DATE	
MPREVIATO	1993/03/16	
MATERIAL NO.	SEE TABLE	
SIZE	A3	

MOLEX INCORPORATED		DOCUMENT NO.	SHEET NO.
SD-94090-017		SD-94090-017	1 OF 1
THIS DRAWING CONTAINS INFORMATION THAT IS PROPRIETARY TO MOLEX INCORPORATED AND SHOULD NOT BE USED WITHOUT WRITTEN PERMISSION			