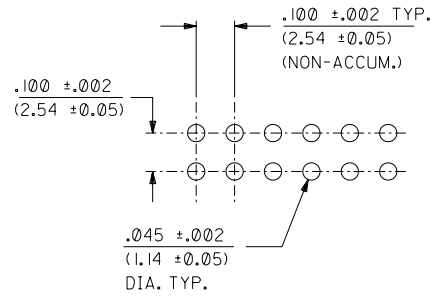
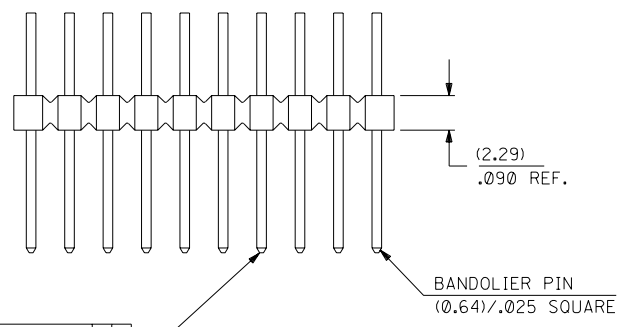
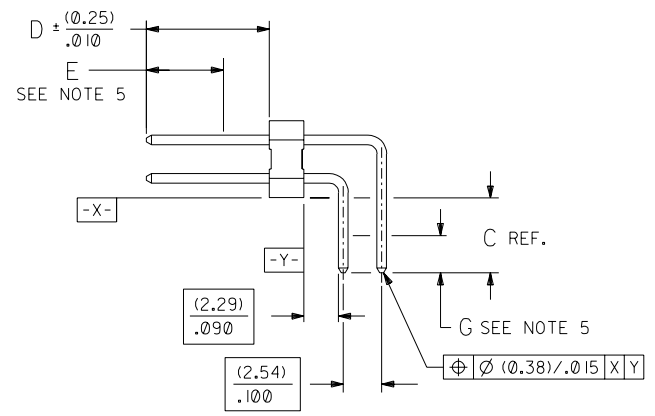
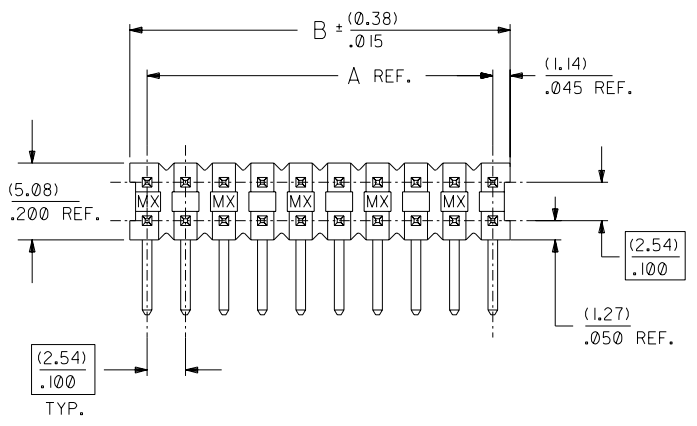


| CKT. SIZE | DIM. A REF. | | DIM. B REF. | |
|-----------|-------------|-------|-------------|-------|
| | (MM) | INCH | (MM) | INCH |
| 4 | (2.54) | .100 | (4.83) | .190 |
| 6 | (5.08) | .200 | (7.37) | .290 |
| 8 | (7.62) | .300 | (9.91) | .390 |
| 10 | (10.16) | .400 | (12.45) | .490 |
| 12 | (12.70) | .500 | (14.99) | .590 |
| 14 | (15.24) | .600 | (17.53) | .690 |
| 16 | (17.78) | .700 | (20.07) | .790 |
| 18 | (20.32) | .800 | (22.61) | .890 |
| 20 | (22.86) | .900 | (25.15) | .990 |
| 22 | (25.40) | 1.000 | (27.69) | 1.090 |
| 24 | (27.94) | 1.100 | (30.23) | 1.190 |
| 26 | (30.48) | 1.200 | (32.77) | 1.290 |
| 28 | (33.02) | 1.300 | (35.31) | 1.390 |
| 30 | (35.56) | 1.400 | (37.85) | 1.490 |
| 32 | (38.10) | 1.500 | (40.39) | 1.590 |
| 34 | (40.64) | 1.600 | (42.93) | 1.690 |
| 36 | (43.18) | 1.700 | (45.47) | 1.790 |
| 38 | (45.72) | 1.800 | (48.01) | 1.890 |
| 40 | (48.26) | 1.900 | (50.55) | 1.990 |
| 42 | (50.80) | 2.000 | (53.09) | 2.090 |
| 44 | (53.34) | 2.100 | (55.63) | 2.190 |
| 46 | (55.88) | 2.200 | (58.17) | 2.290 |
| 48 | (58.42) | 2.300 | (60.71) | 2.390 |
| 50 | (60.96) | 2.400 | (63.25) | 2.490 |
| 52 | (63.50) | 2.500 | (65.79) | 2.590 |
| 54 | (66.04) | 2.600 | (68.33) | 2.690 |
| 56 | (68.58) | 2.700 | (70.87) | 2.790 |
| 58 | (71.12) | 2.800 | (73.41) | 2.890 |
| 60 | (73.66) | 2.900 | (75.95) | 2.990 |
| 62 | (76.20) | 3.000 | (78.49) | 3.090 |
| 64 | (78.74) | 3.100 | (81.03) | 3.190 |
| 66 | (81.28) | 3.200 | (83.57) | 3.290 |
| 68 | (83.82) | 3.300 | (86.11) | 3.390 |
| 70 | (86.36) | 3.400 | (88.65) | 3.490 |
| 72 | (88.90) | 3.500 | (91.19) | 3.590 |
| 74 | (91.44) | 3.600 | (93.73) | 3.690 |
| 76 | (93.98) | 3.700 | (96.27) | 3.790 |
| 78 | (96.52) | 3.800 | (98.81) | 3.890 |
| 80 | (99.06) | 3.900 | (101.35) | 3.990 |



RECOMMENDED P.C. BOARD HOLE LAYOUT



NOTES:

- PIN PUSHOUT FORCE: 4 LBS. MINIMUM
- FOR ILLUSTRATION PURPOSES, 20 (DUAL 10) CIRCUIT SIZE IS SHOWN.
- PINS MUST MEET SOLDERABILITY SPEC. ES-152, EXCEPT VOIDS ARE PERMISSIBLE AT BANDOLIERS PIN FAYING SURFACE. (APPROX. .025 LNG X .006 WD. REF.) - 2 LOCATIONS
- WAFER TO BE FLAT WITHIN (0.03 MM/CM)/.003 IN./IN.
- MEASURE POINT FOR PLATING THICKNESS.
- THIS PRODUCT CONFORMS TO MOLEX PRODUCT SPEC. PS-70203.
- FOR ASSEMBLIES WITH VOIDS, REFER TO DRAWING NUMBER SDA-70203-5001-9999.
- PACKAGING INFORMATION: (UNLESS OTHERWISE NOTED IN TABLES)

| CIRCUIT SIZE | PACKAGING DRAWING |
|--------------|-------------------|
| 4 THROUGH 8 | PK-70873-0353 |
| 10 AND OVER | PK-70873-0075 |

FINISH:

- TIN - .000150 MINIMUM TIN PLATE OVER NICKEL PLATE.
 - 15 GOLD - .000015 MINIMUM GOLD PLATE IN SELECT AREA, .000075 MINIMUM TIN PLATE IN SELECT AREA, OVER NICKEL PLATE OVERALL.
 - 30 GOLD - .000030 MINIMUM GOLD PLATE IN SELECT AREA, .000075 MINIMUM TIN PLATE IN SELECT AREA, OVER NICKEL PLATE OVERALL.
- *THE PRIMARY SHIPPING CARTON WILL BE LABELED *COMPLIANT TO RoHS DIRECTIVE 2002/95/EC AND ELV ANNEX II OF DIRECTIVE 2000/53/EC*. CARTONS WITHOUT THIS LABEL MAY CONTAIN PRODUCT WITH LEAD.

MATERIAL:

- WAFER - G.F. POLYESTER; 94V-0; COLOR: BLACK
- PIN - PHOSPHOR BRONZE

| | |
|----|---|
| D | LEAD FREE UCP2004-1770 RWHITE 04/04/23 |
| CI | REVISE PKGNG ECN UDT2000-0949 SCHAFFER 00/4/6 |
| C | REVISED PER ECN # U60711 1/8/96 BJS/RCB |
| BI | ADDED EDP PER ECN # U60256 95/08/23 CAC |
| B | VOIDED EDP NO'S PER ECN # U60097 95/07/27 CAC |
| A | RELEASED PER ECN # U31656 11/18/93 REED |

| | | | | | |
|--|---------------|----------------|--|---|--|
| DIMENSIONS SHOWN (METRIC) INCH UNLESS OTHERWISE SPECIFIED TOLERANCES: ANGULAR ± 1/2° | | ▽ = 0 ▲ = 0 | | REVISE ONLY ON CAD SYSTEM | |
| INCH METRIC | | TITLE | | SALES ASSY-DUAL ROW WAFER W/BREAK-OFF OPTION RIGHT ANGLE/.025 SQ PINS | |
| 3 PLACE ± .005 | --- | PART NO. | | SDA-70203-0001-5000 | |
| 2 PLACE ± .01 ± 0.13 | --- | DRAWG. NO. | | SEE CHART | |
| 1 PLACE --- ± 0.25 | --- | FILE NAME | | 570203X1 | |
| DRAFT WHERE APPLICABLE MUST REMAIN WITHIN DIMENSIONS | | SHEET NO. | | 1 OF 2 | |
| DATE | | U.S.A. | | 11/18/93 | |
| DRWG. BY: SMR | CHK'D BY: SMR | SCALE | | 4: 1 | |
| APPR. BY: | | MFG, SH, REV. | | LTR. | |
| THIS DRAWING CONTAINS INFORMATION THAT IS PROPRIETARY TO MOLEX INC. AND SHOULD NOT BE USED WITHOUT WRITTEN PERMISSION. | | DA | | C | |

