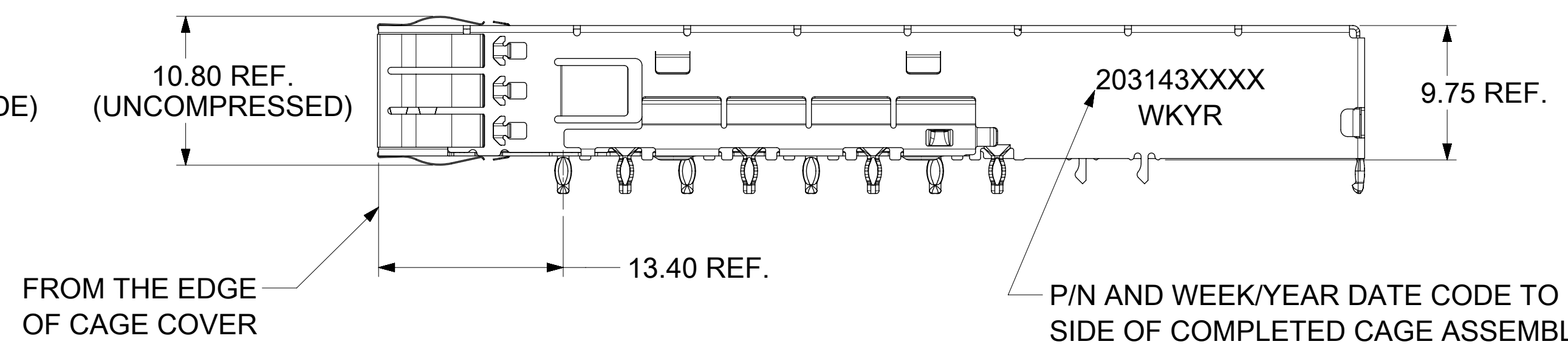
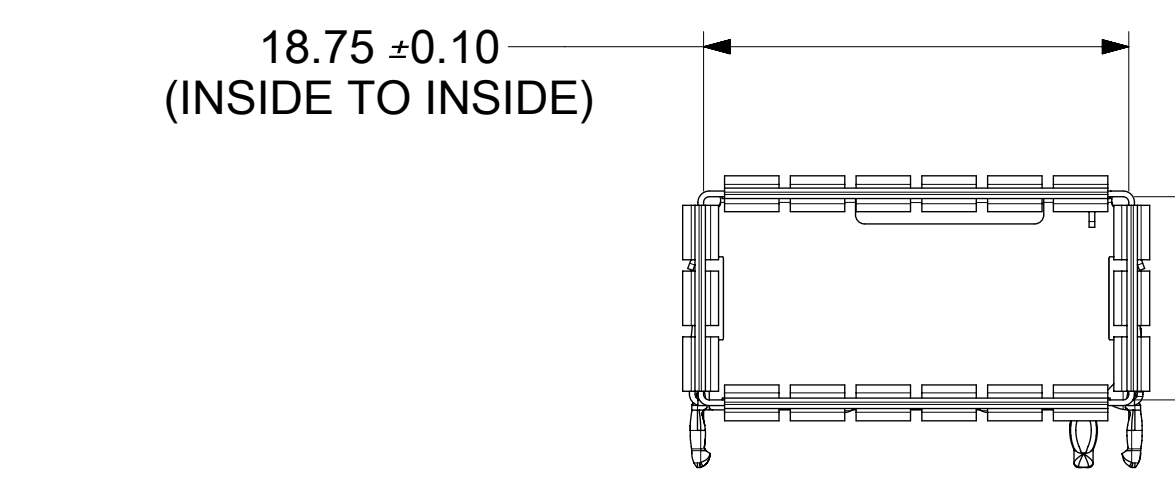
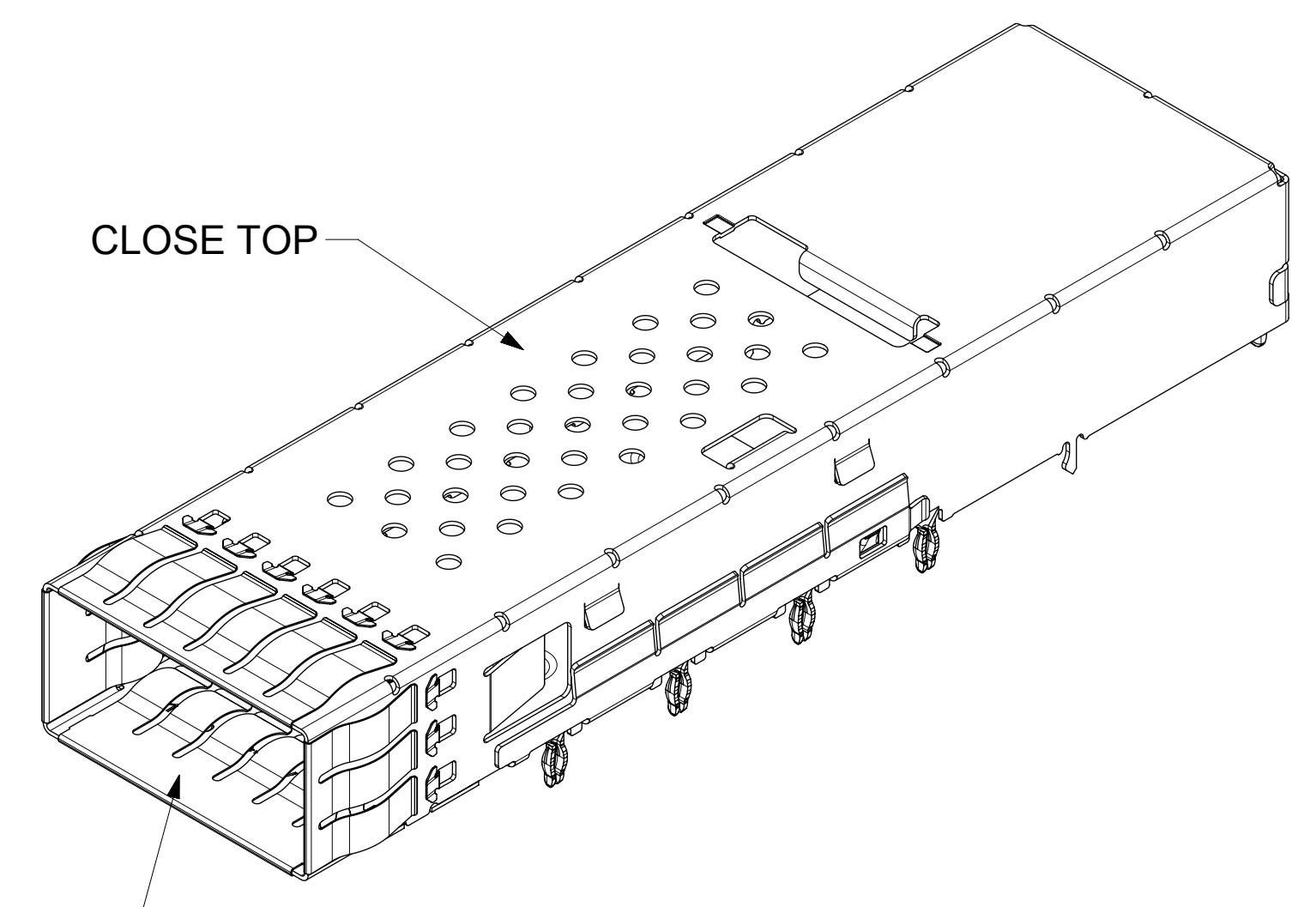
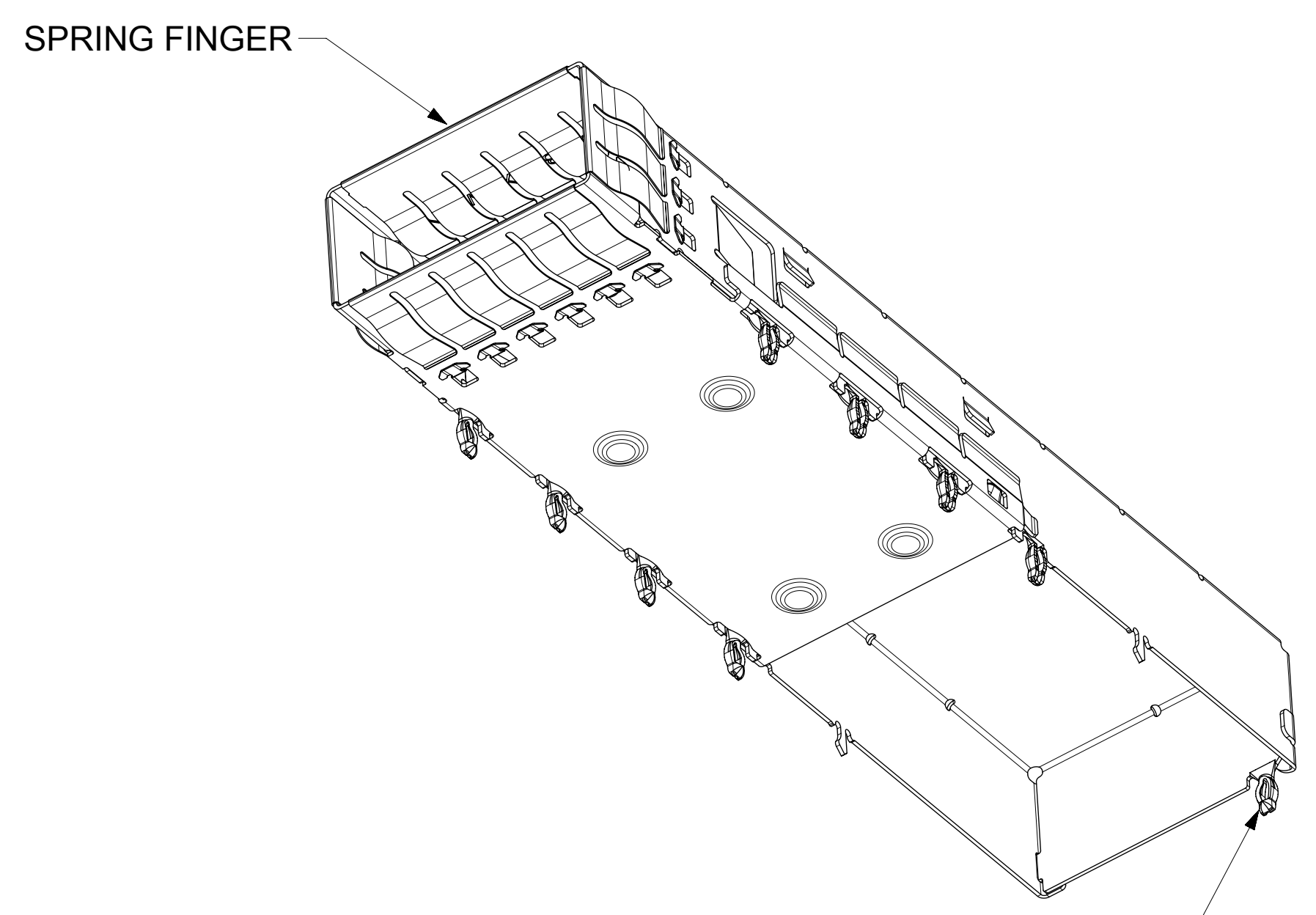
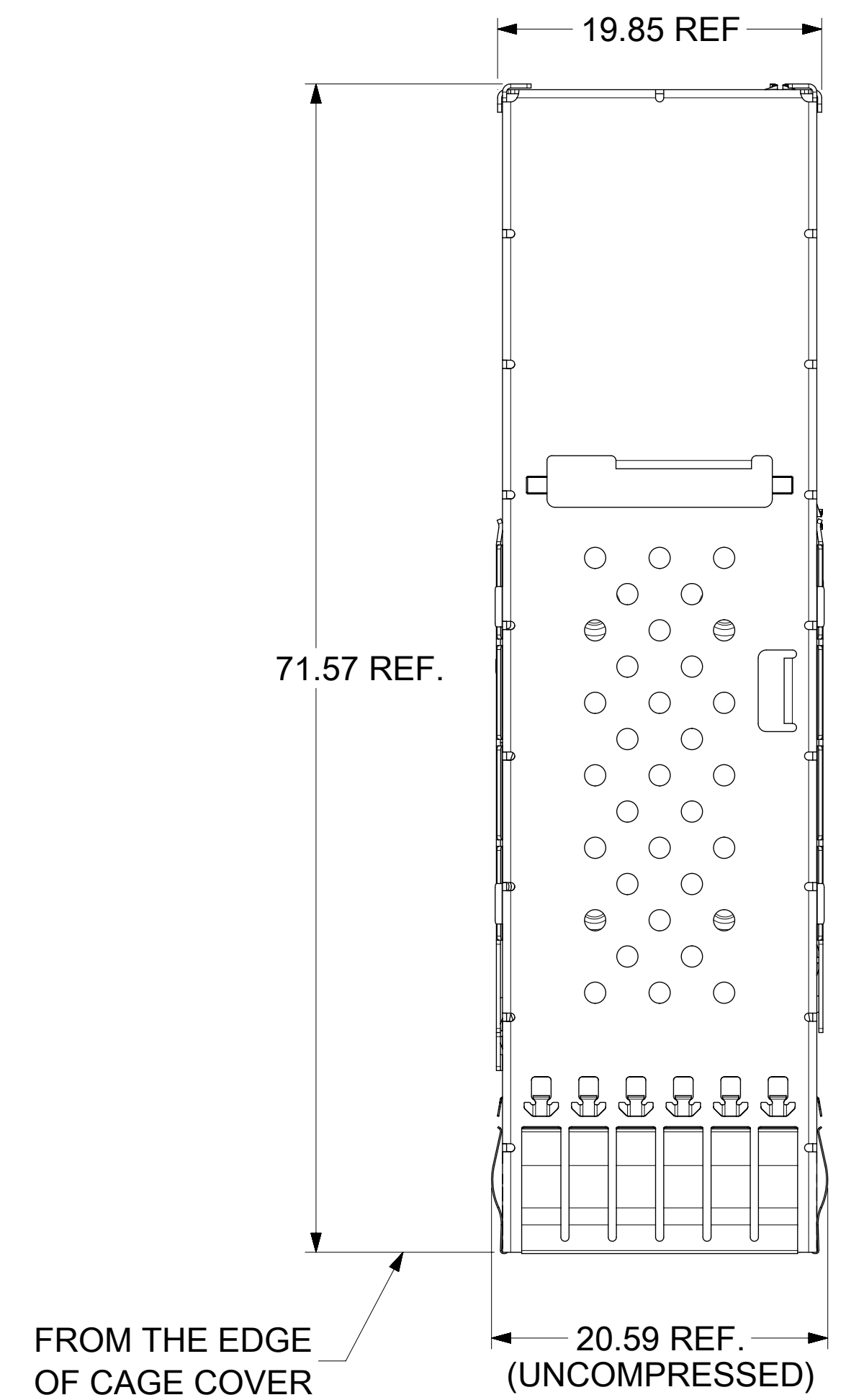


BASE CAGE DETAILS

2031431244 SHOWN

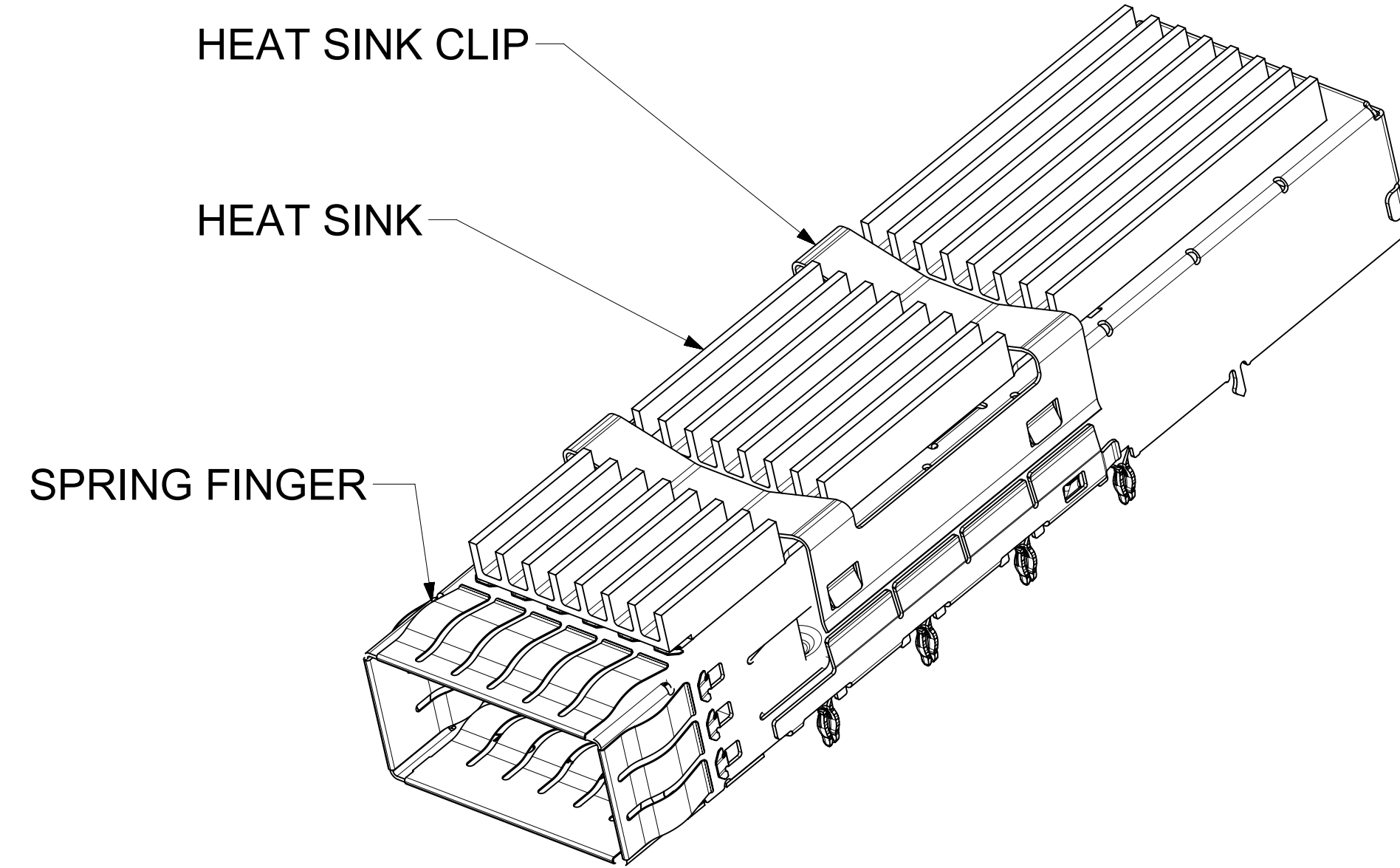
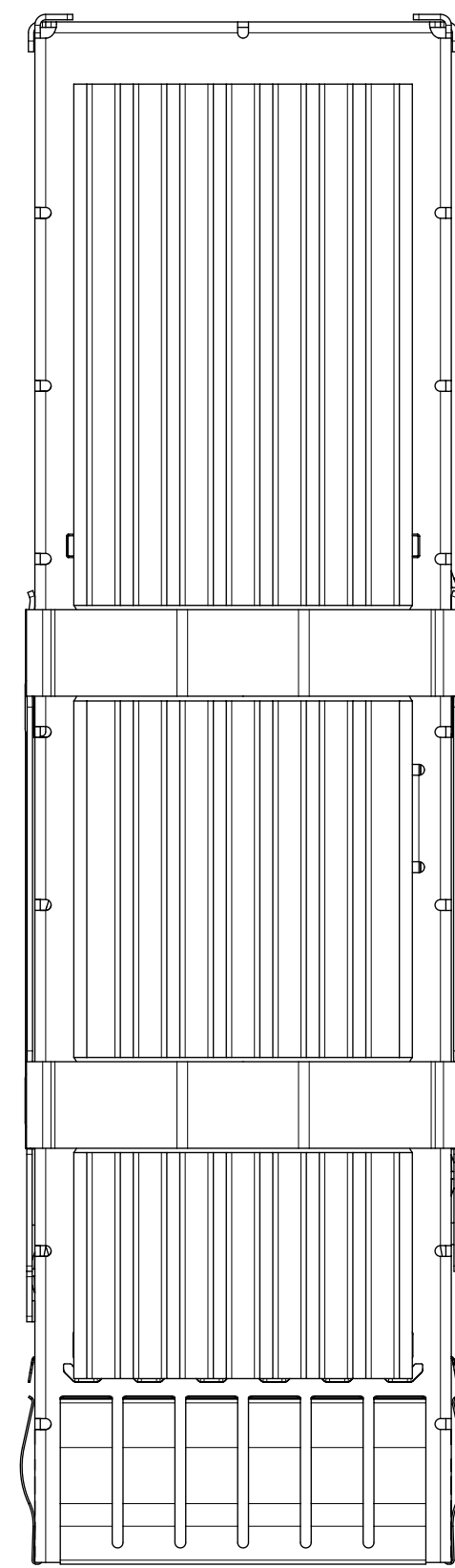


P/N AND WEEK/YEAR DATE CODE TO BE PRINTED ON SIDE OF COMPLETED CAGE ASSEMBLY APPROXIMATELY AS SHOWN. SEE TABLE BELOW FOR DATE CODE INFORMATION.

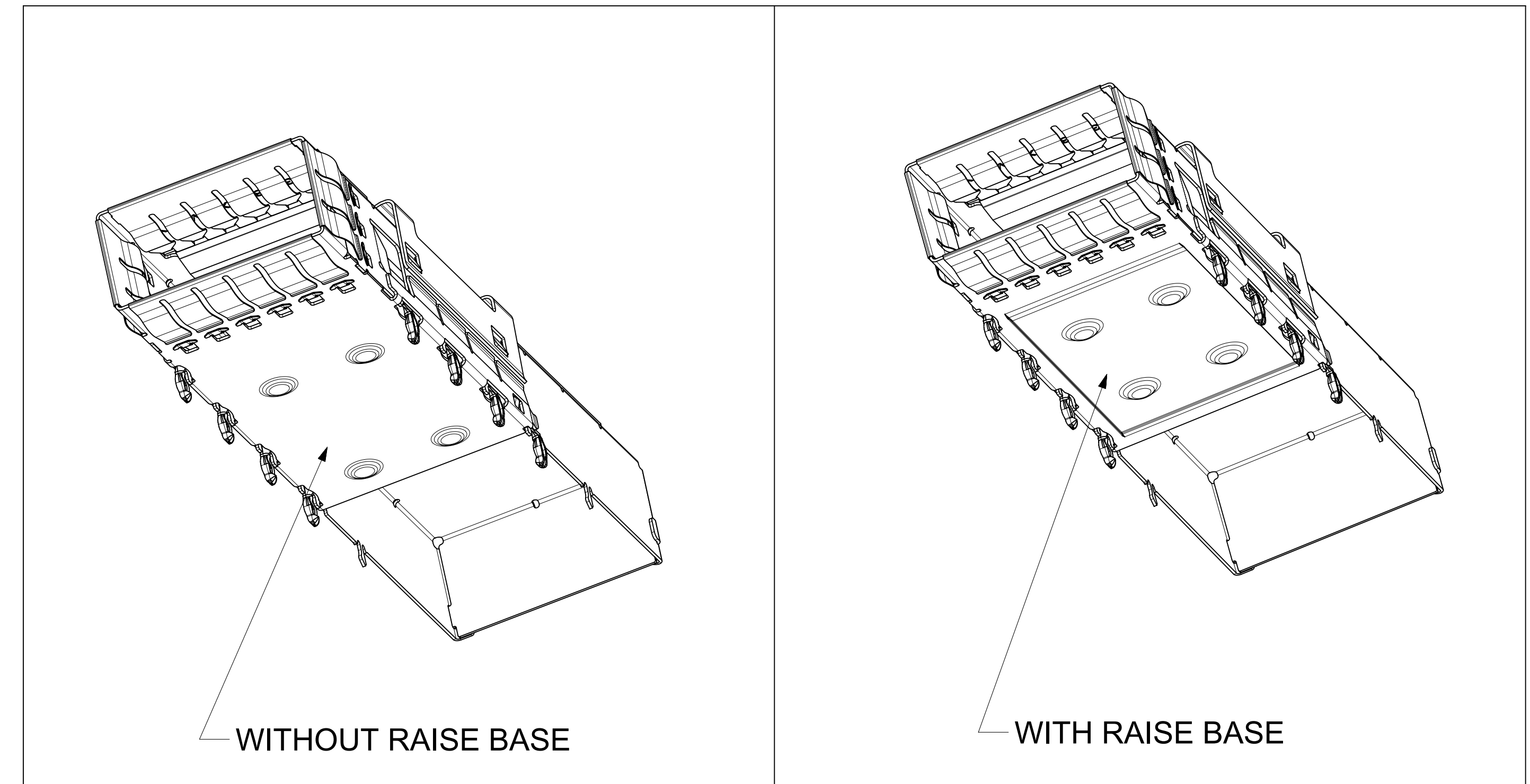
- NOTES:
- MATERIAL: CAGE: STAINLESS STEEL
SPRING FINGERS: STAINLESS STEEL
HEAT SINKS: ALUMINUM(BLACK ANODIZATION)
HEAT SINK CLIP: STAINLESS STEEL
 - DRAWING APPLIES TO ALL P/N'S SHOWN ON PAGE 3
 - DURING FINAL INSPECTION, CAGE LEG LOCATIONS AND STRAIGHTNESS MUST BE CHECKED USING APPROPRIATE GO - NO GO GAGE
 - DURING FINAL INSPECTION, CAGE MUST BE INSPECTED TO MAKE SURE LEG CONFIGURATIONS AND PART NUMBERS ARE CORRECT, REFER TO SHEETS 2 AND 3.
 - PARTS TO BE INSPECTED PER MOLEX COSMETIC SPEC WI-HP-7-2774 (CLASS B UNLESS OTHERWISE SPECIFIED)
 - PRESS-FIT LEGS 2.44mm LONG -
1.57mm MINIMUM PCB THICKNESS FOR SINGLE SIDED USE.
2.70mm MINIMUM PCB THICKNESS FOR BELLY TO BELLY USE.
 - NO RoHS EXEMPTIONS

WK	WEEK OF THE YEAR 01 THRU 52 OR 53 (EXAMPLE: 01= FIRST WEEK OF YEAR, 52 OR 53 = LAST WEEK OF YEAR)
YR	17, 18, 19 ETC.. (EXAMPLE: YEAR 2017= 17)

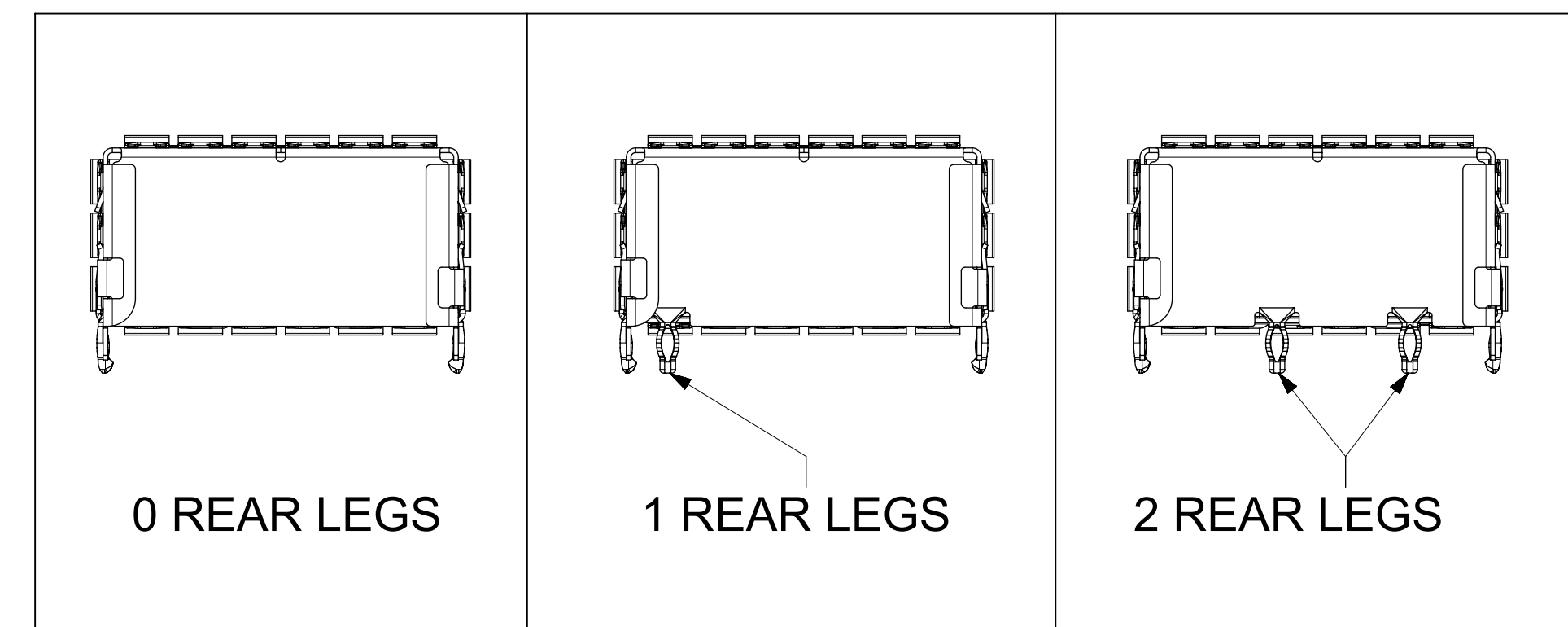
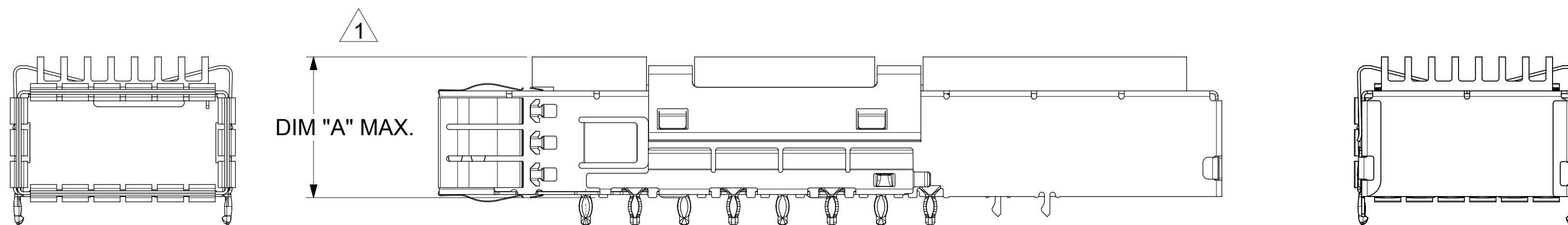
THIS DRAWING CONTAINS INFORMATION THAT IS PROPRIETARY TO MOLEX ELECTRONIC TECHNOLOGIES, LLC AND SHOULD NOT BE USED WITHOUT WRITTEN PERMISSION									
DIMENSION UNITS	SCALE	CURRENT REV DESC: SEE REVISION TABLE							
mm	3:1	<p>QSFP-DD 1X1 CAGE ASSY SF WITH FIN H/S OPTIONS</p> <p>PRODUCT CUSTOMER DRAWING</p>							
GENERAL TOLERANCES (UNLESS SPECIFIED)									
ANGULAR TOL	± 2.0°								
4 PLACES	±								
3 PLACES	±								
2 PLACES	± 0.13								
1 PLACE	± 0.25	EC NO: 629406	2019/12/13						
0 PLACES	±	DRWN: JYEN01	2019/12/20						
DRAFT WHERE APPLICABLE MUST REMAIN WITHIN DIMENSIONS		APPR: JCHIANG	2019/12/20						
THIRD ANGLE PROJECTION		INITIAL REVISION:		DOCUMENT NUMBER					
DRAWING		DRWN: LLU20	2017/07/17		2031431201		PSD	ASY	D2
SERIES		APPR: RCHEN08	2017/08/15		SEE P/N TABLE		GENERAL MARKET		SHEET NUMBER
D-SIZE		203143		1 OF 7					



CAGE BOTTOM VIEW (RAISE BASE OPTIONS)



CAGE BACK VIEW (REAR LEG OPTIONS)



HEAT SINK HEIGHT OPTIONS

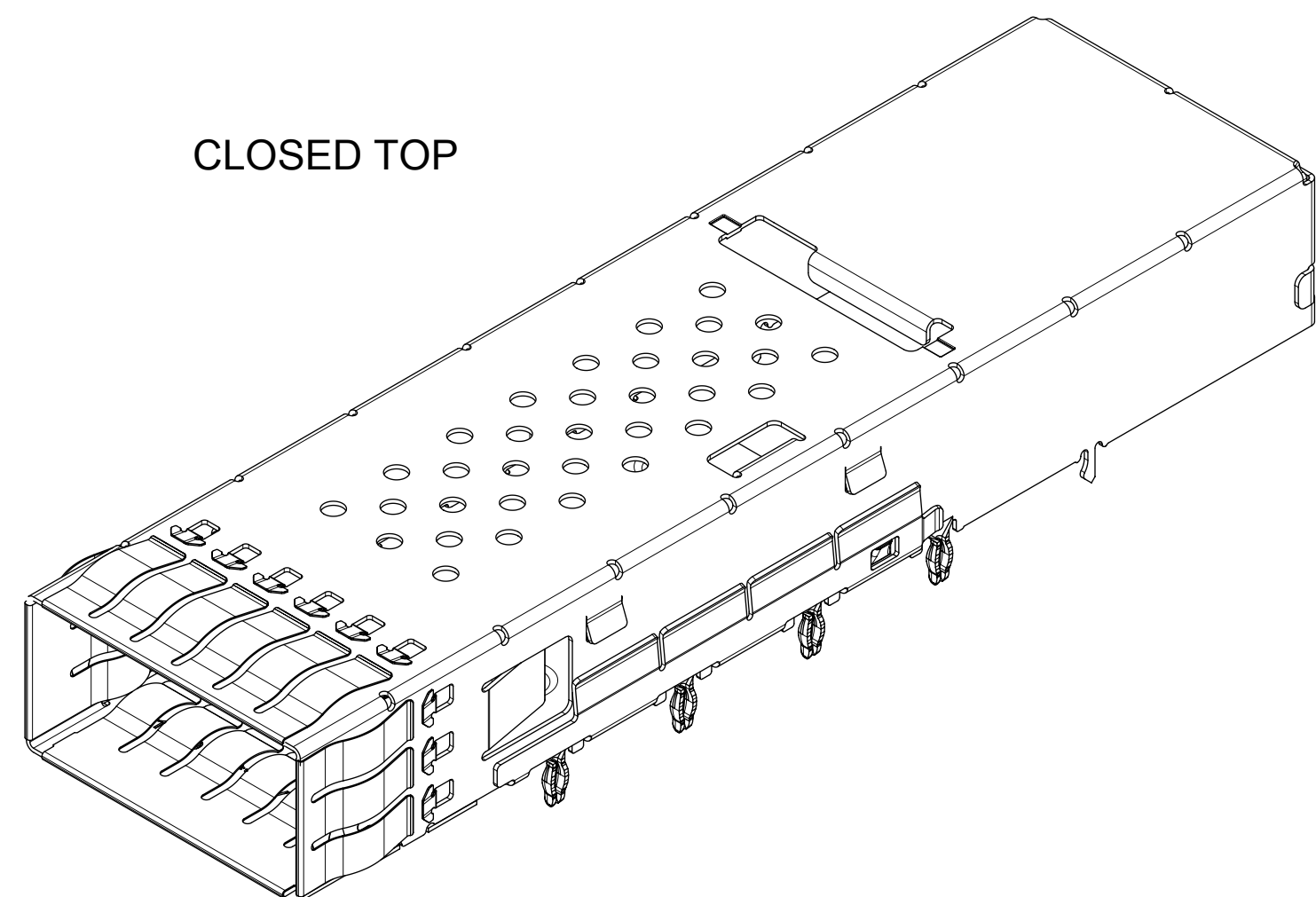
OVERALL HEAT SINK HEIGHT	DIM "A"
PCI	13.7
SAN	16.0
NET	23.0

1 HEIGHT OF HEAT SINK WITH MODULE INSERTED.
DIMENSION MAY BE LESS DUE TO MODULE AND HEAT SINK VARIATIONS

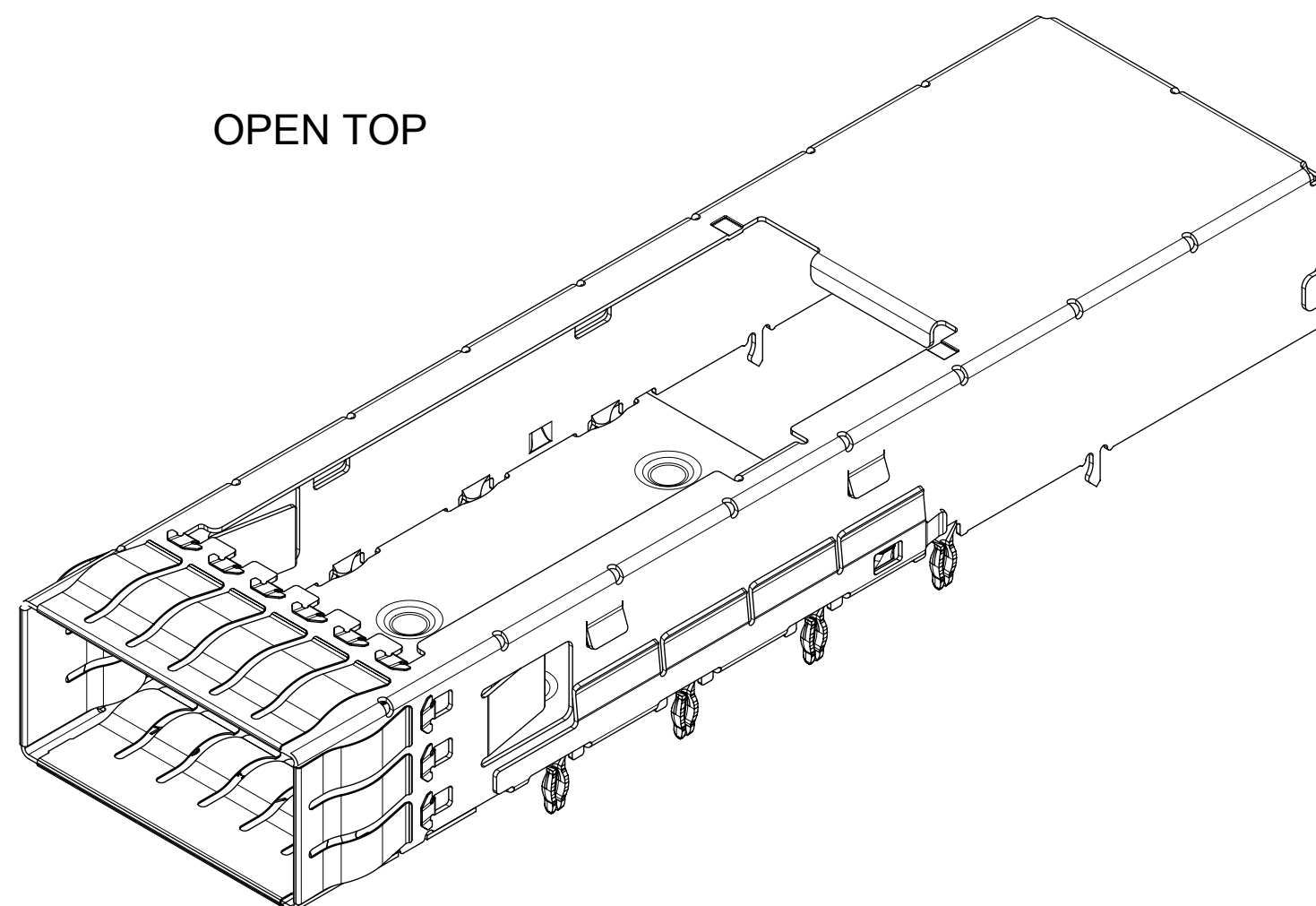
THIS DRAWING CONTAINS INFORMATION THAT IS PROPRIETARY TO MOLEX ELECTRONIC TECHNOLOGIES, LLC AND SHOULD NOT BE USED WITHOUT WRITTEN PERMISSION			
DIMENSION UNITS mm	SCALE 3:1	CURRENT REV DESC: SEE REVISION TABLE	
GENERAL TOLERANCES (UNLESS SPECIFIED)		EC NO: 629406	
ANGULAR TOL	± 2.0°	DRWN: JYEN01	2019/12/13
4 PLACES	±	CHK'D: SCHIEN	2019/12/20
3 PLACES	±	APPR: JCHIANG	2019/12/20
2 PLACES	± 0.13	INITIAL REVISION:	
1 PLACE	± 0.25	DRWN: LLU20	2017/07/17
0 PLACES	±	APPR: RCHEN08	2017/08/15
DRAFT WHERE APPLICABLE MUST REMAIN WITHIN DIMENSIONS		THIRD ANGLE PROJECTION	DRAWING SERIES
			D-SIZE 203143
DOCUMENT NUMBER		MATERIAL NUMBER	CUSTOMER
2031431201		SEE P/N TABLE	GENERAL MARKET
DOC TYPE		DOC PART	REVISION
PSD		ASY	D2
SHEET NUMBER			2 OF 7

PART NUMBER SELECTION

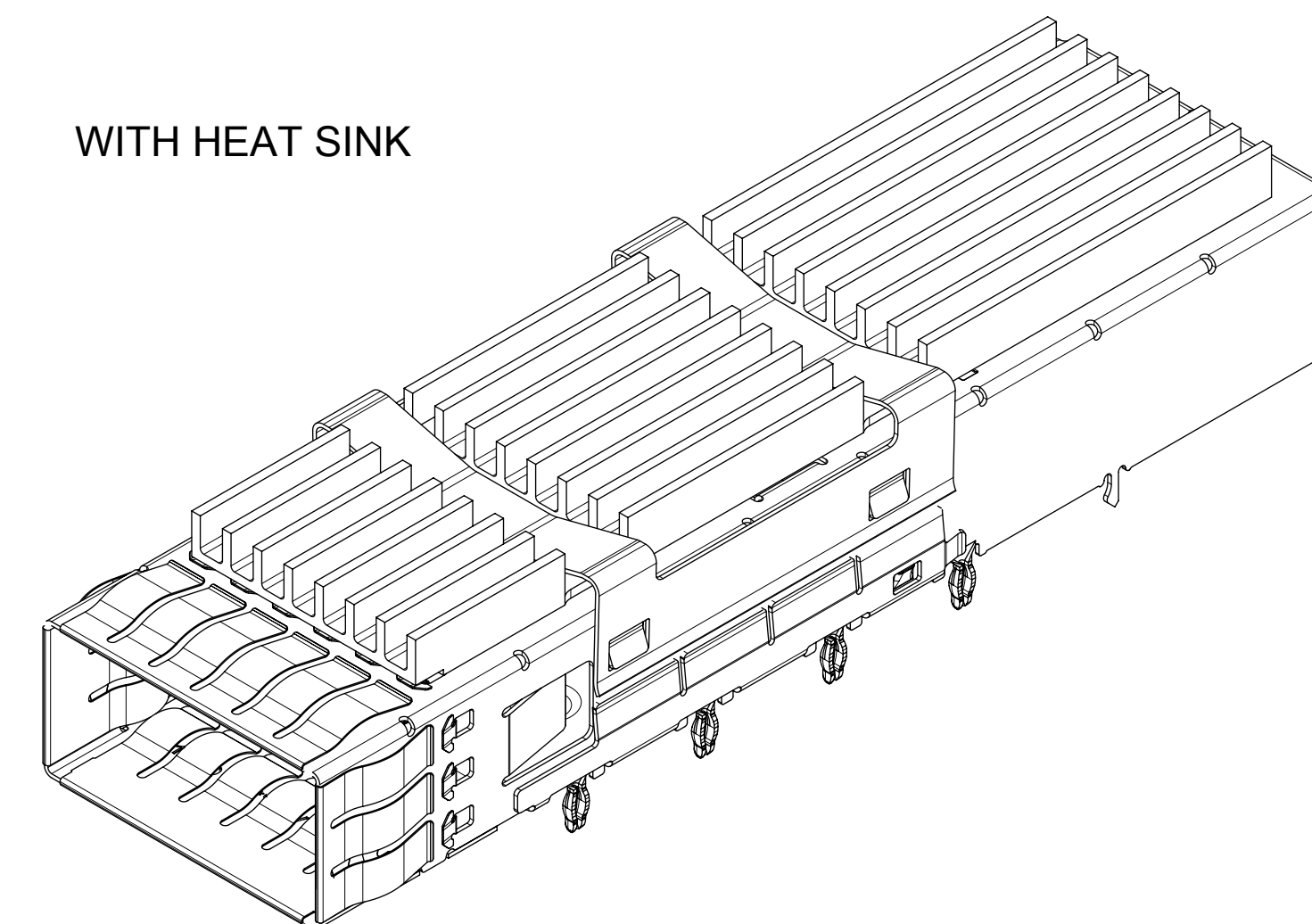
CLOSED TOP



OPEN TOP



WITH HEAT SINK



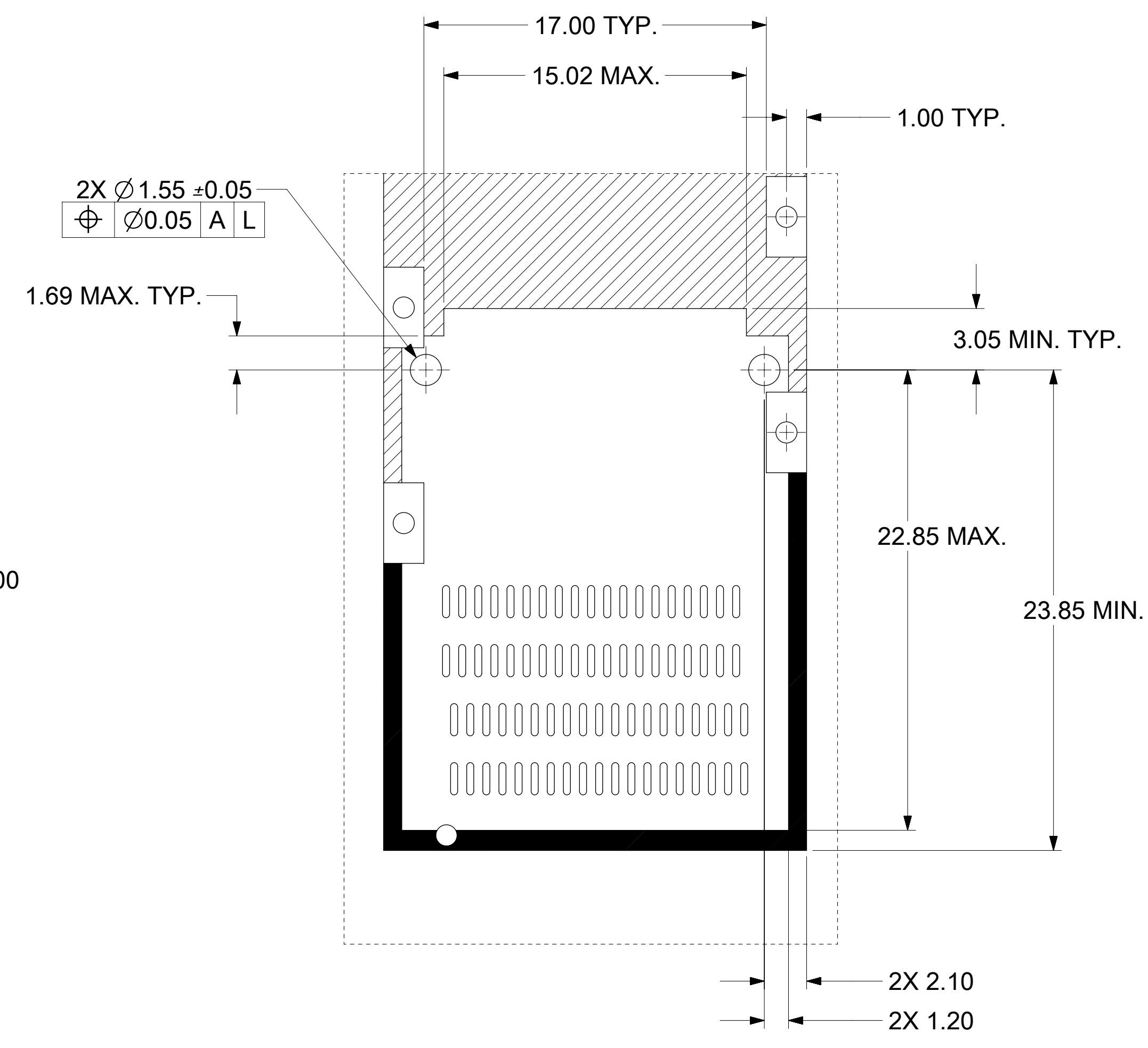
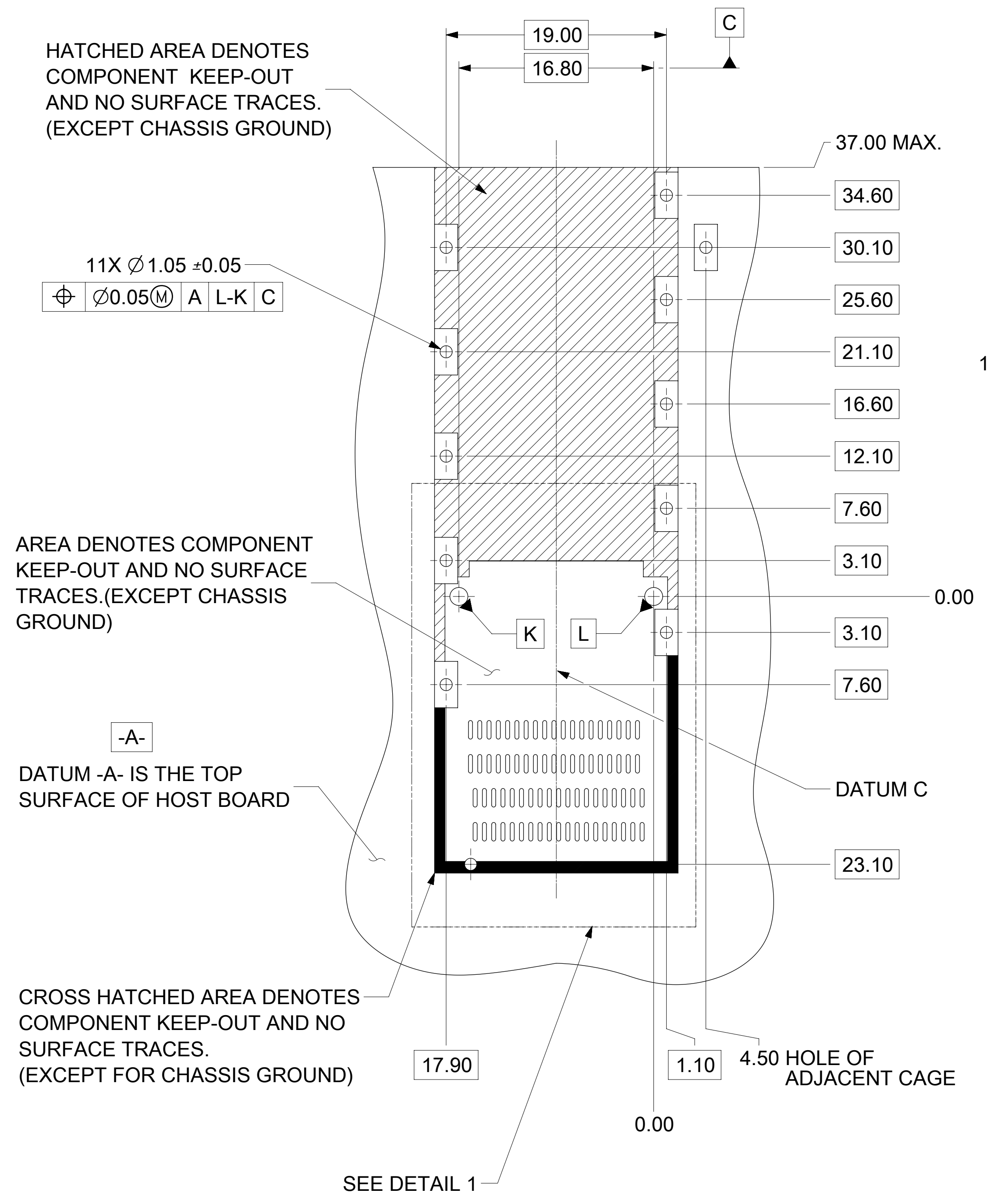
MOLEX P/N	# OF REAR LEGS PER PORT	WITH RAISE BASE
2031431243	0	NO
2031431244	1	NO

MOLEX P/N	# OF REAR LEGS PER PORT	WITH RAISE BASE
2031431254	0	NO
2031431255	1	NO
2031431256	2	NO
2031432254	0	YES
2031432255	1	YES
2031432256	2	YES

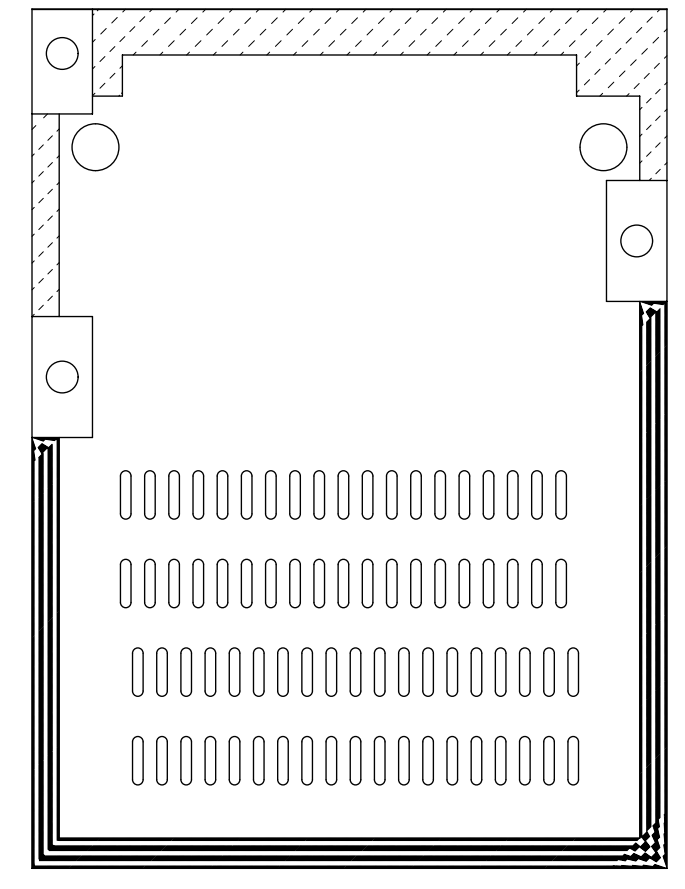
MOLEX P/N	HEAT SINK	# OF REAR LEGS PER PORT	WITH RAISE BASE
2031431349	PCI	0	NO
2031431350	SAN	0	NO
2031431351	NET	0	NO
2031431352	PCI	1	NO
2031431353	SAN	1	NO
2031431354	NET	1	NO
2031431355	PCI	2	NO
2031431356	SAN	2	NO
2031431357	NET	2	NO
2031432349	PCI	0	YES
2031432350	SAN	0	YES
2031432351	NET	0	YES
2031432352	PCI	1	YES
2031432353	SAN	1	YES
2031432354	NET	1	YES
2031432355	PCI	2	YES
2031432356	SAN	2	YES
2031432357	NET	2	YES

THIS DRAWING CONTAINS INFORMATION THAT IS PROPRIETARY TO MOLEX ELECTRONIC TECHNOLOGIES, LLC AND SHOULD NOT BE USED WITHOUT WRITTEN PERMISSION											
DIMENSION UNITS		SCALE		CURRENT REV DESC: SEE REVISION TABLE							
mm		3:1									
GENERAL TOLERANCES (UNLESS SPECIFIED)				EC NO: 629406							
ANGULAR TOL ± 2.0°				DRWN: JYEN01				2019/12/13			
4 PLACES ±				CHK'D: SCHIEN				2019/12/20			
3 PLACES ±				APPR: JCHIANG				2019/12/20			
2 PLACES ± 0.13				INITIAL REVISION:							
1 PLACE ± 0.25				DRWN: LLU20				2017/07/17			
0 PLACES ±				APPR: RCHEN08				2017/08/15			
DRAFT WHERE APPLICABLE MUST REMAIN WITHIN DIMENSIONS				THIRD ANGLE PROJECTION		DRAWING		SERIES		MATERIAL NUMBER	
						D-SIZE		203143		SEE P/N TABLE	
DOCUMENT STATUS				DOC TYPE		DOC PART		REVISION		SHEET NUMBER	
P1				PSD		ASY		D2		3 OF 7	
RELEASE DATE		2019/12/20		10:48:42		GENERAL MARKET					

PCB LAYOUT FOR SINGLE SIDED MOUNTING

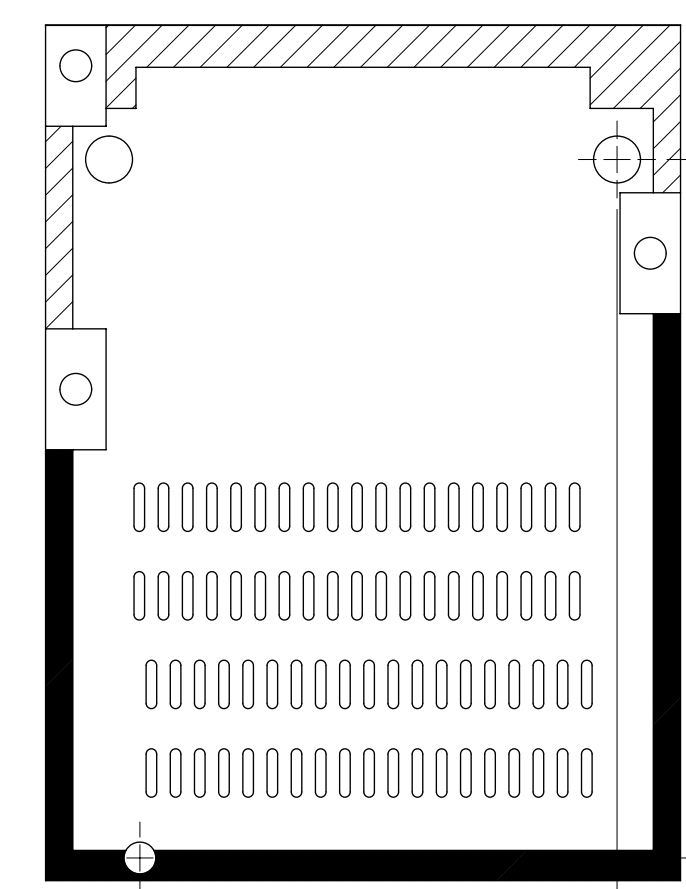


NO REAR LEGS



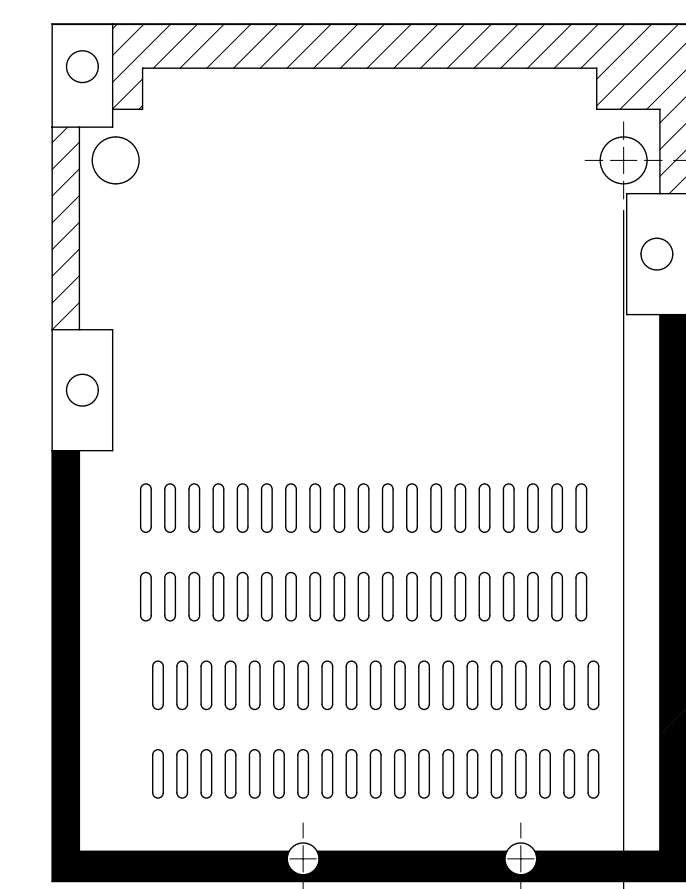
PARTIAL 1
SCALE 4:1

1 REAR LEG



PARTIAL 2
SCALE 4:1

2 REAR LEGS

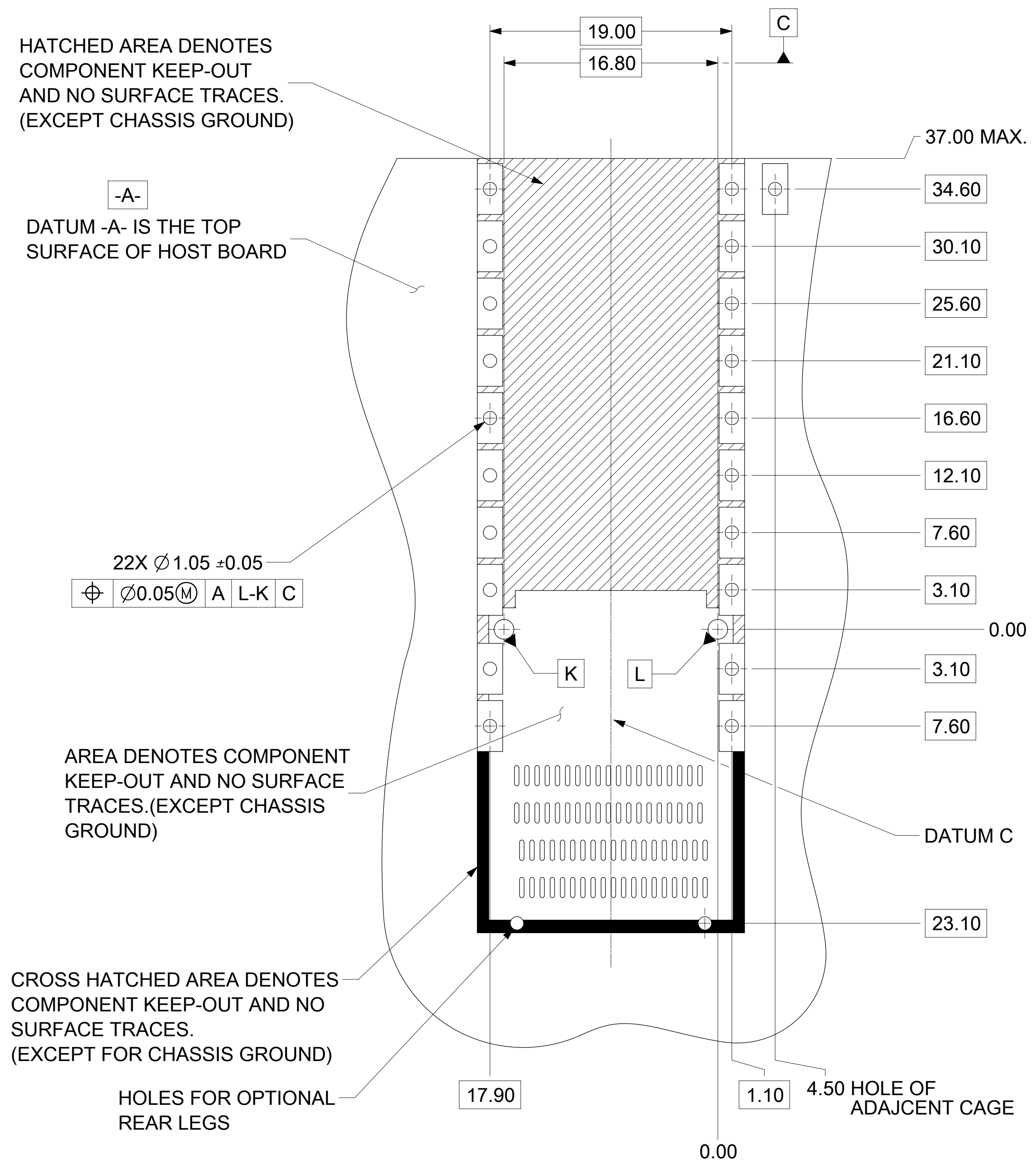


PARTIAL 3
SCALE 4:1

- NOTES:
1. PADS AND VIAS GO TO CHASSIS GROUND. (RECOMMENDED PADS TO BE 2.00x4.00mm RECTANGLE.)
 2. RECOMMENDED THRU HOLE PLATING INCLUDES HASL, OSP, OR IMMERSION (GOLD, SILVER, OR TIN).
 3. CONNECTOR PAD LAYOUT PER QSFP-DD MSA WILL ACCOMODATE MOLEX CONNECTOR SERIES 202718.
 4. NOTED DIMENSIONS ONLY APPLY TO CAGE ASSEMBLIES WITH LIGHT PIPES.

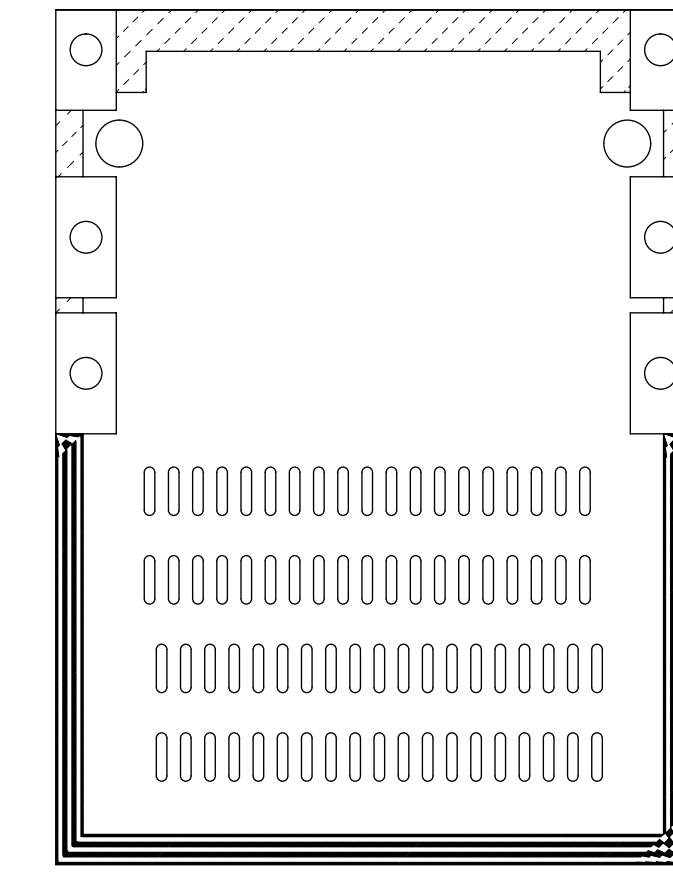
THIS DRAWING CONTAINS INFORMATION THAT IS PROPRIETARY TO MOLEX ELECTRONIC TECHNOLOGIES, LLC AND SHOULD NOT BE USED WITHOUT WRITTEN PERMISSION									
DIMENSION UNITS	SCALE	CURRENT REV DESC: SEE REVISION TABLE							
mm	3.5:1	<p>molex</p> <p>QSFP-DD 1X1 CAGE ASSY SF WITH FIN H/S OPTIONS</p> <p>PRODUCT CUSTOMER DRAWING</p> <p>DOCUMENT NUMBER: 2031431201 DOC TYPE: PSD DOC PART: ASY REVISION: D2</p> <p>MATERIAL NUMBER: SEE P/N TABLE CUSTOMER: GENERAL MARKET SHEET NUMBER: 4 OF 7</p>							
GENERAL TOLERANCES (UNLESS SPECIFIED)									
ANGULAR TOL	± 2.0°								
4 PLACES	±								
3 PLACES	±								
2 PLACES	± 0.13								
1 PLACE	± 0.25	EC NO: 629406	2019/12/13						
0 PLACES	±	DRWN: JYEN01	2019/12/20						
DRAFT WHERE APPLICABLE MUST REMAIN WITHIN DIMENSIONS		APPR: JCHIANG	2019/12/20						
THIRD ANGLE PROJECTION		INITIAL REVISION:		2017/07/17					
D-DRAWING		DRWN: LLU20		2017/08/15					
SERIES		APPR: RCHEN08		2017/08/15					
D-SIZE		203143							

PCB LAYOUT FOR BELLY TO BELLY MOUNTING



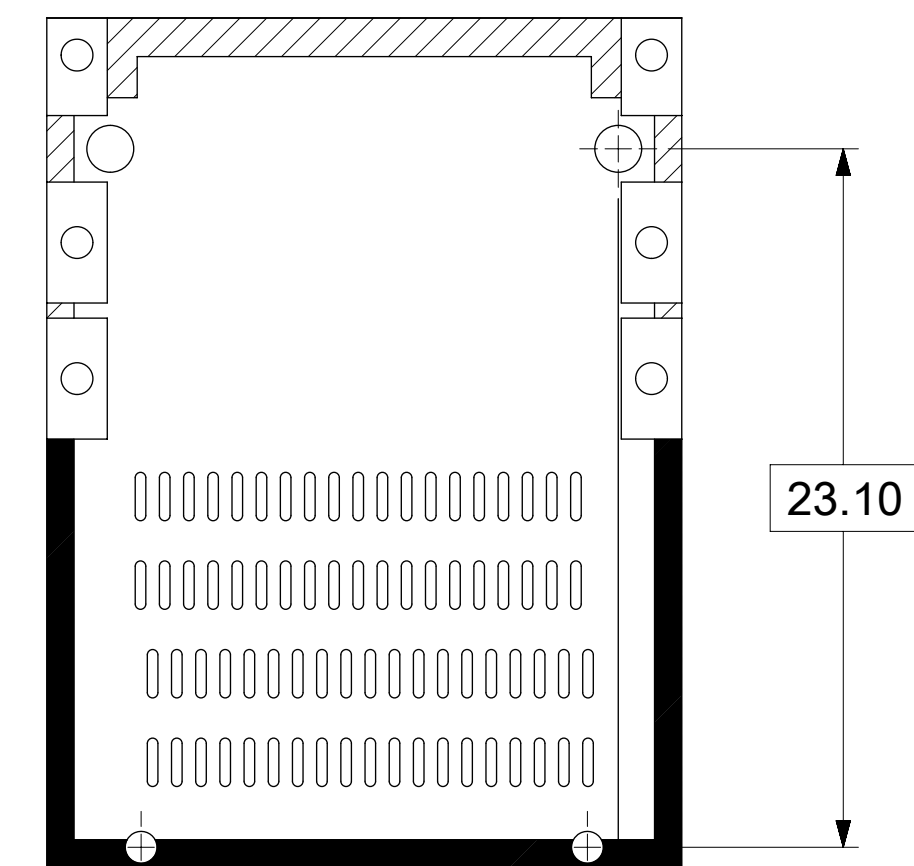
NOTE:
SEE SHEET 4 FOR
HOST CONNECTOR DETAIL
AND LED LOCATION DETAILS

NO REAR LEGS



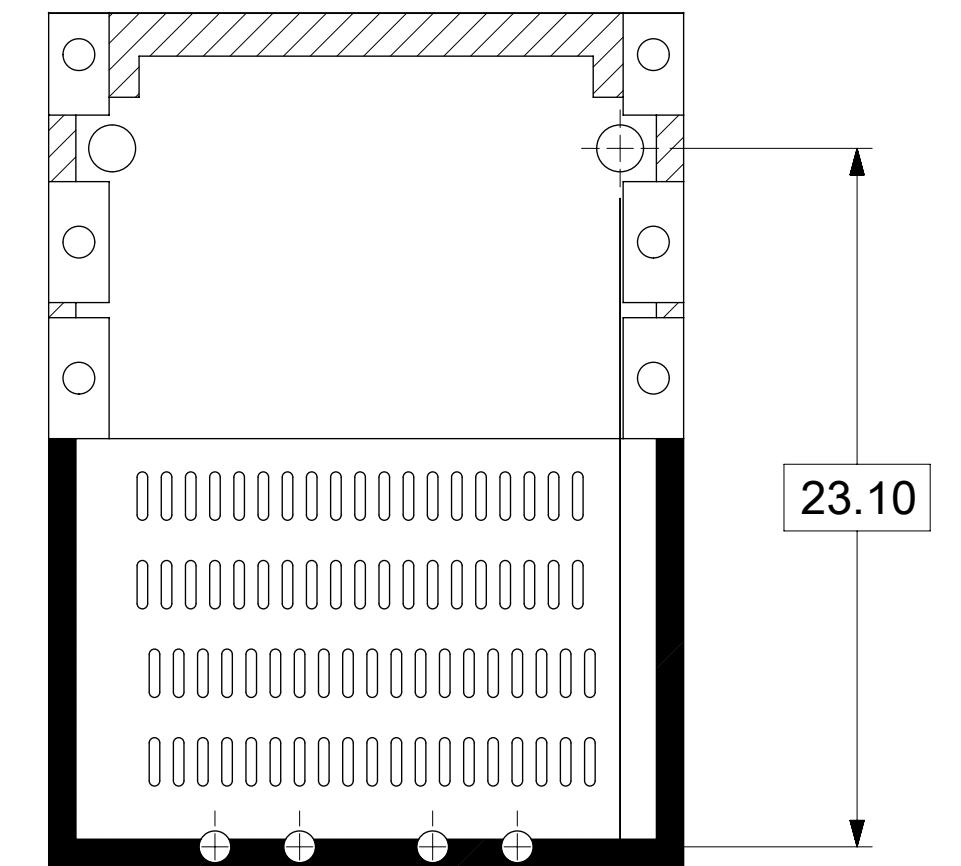
PARTIAL 1
SCALE 4:1

1 REAR LEG



PARTIAL 2
SCALE 4:1

2 REAR LEGS

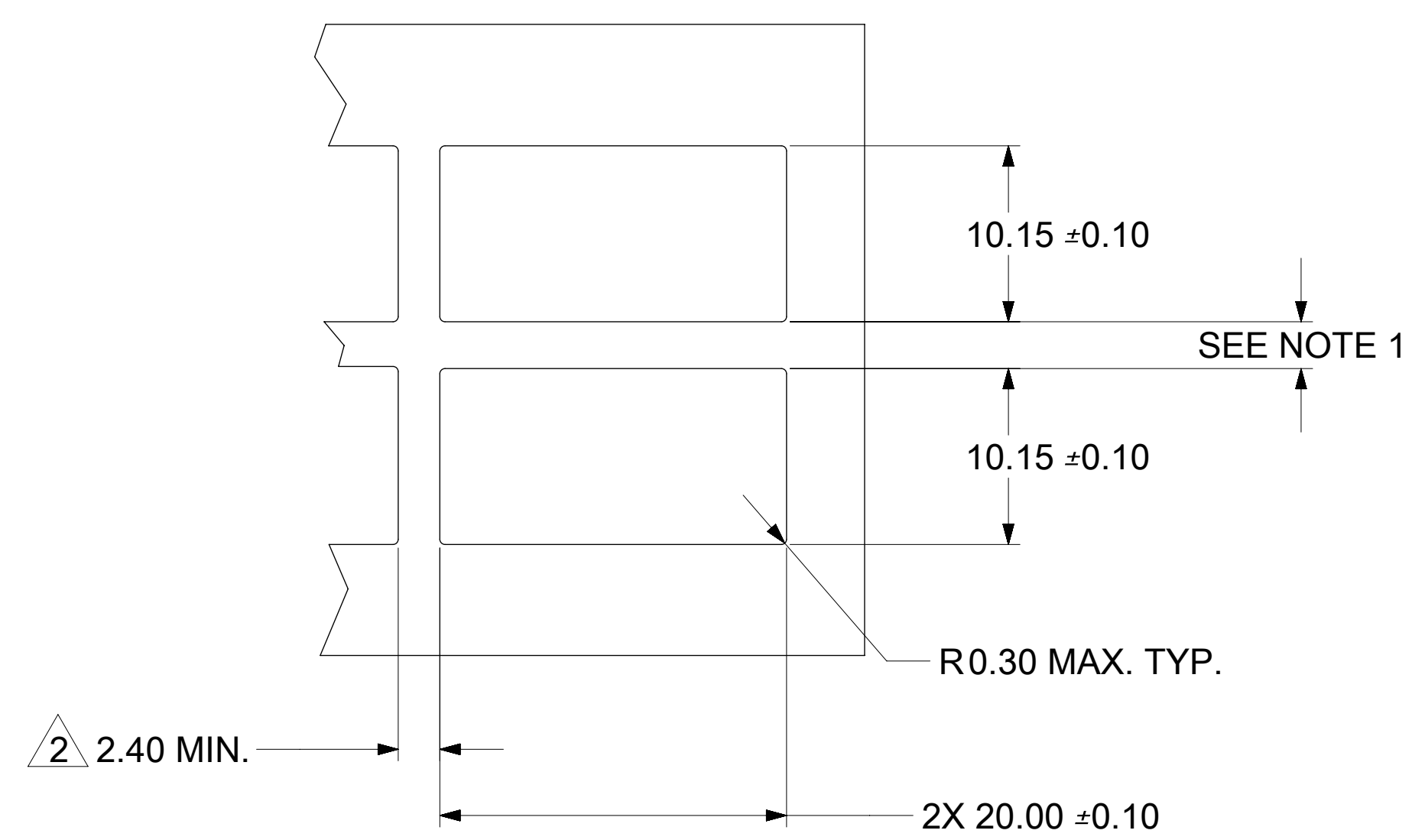
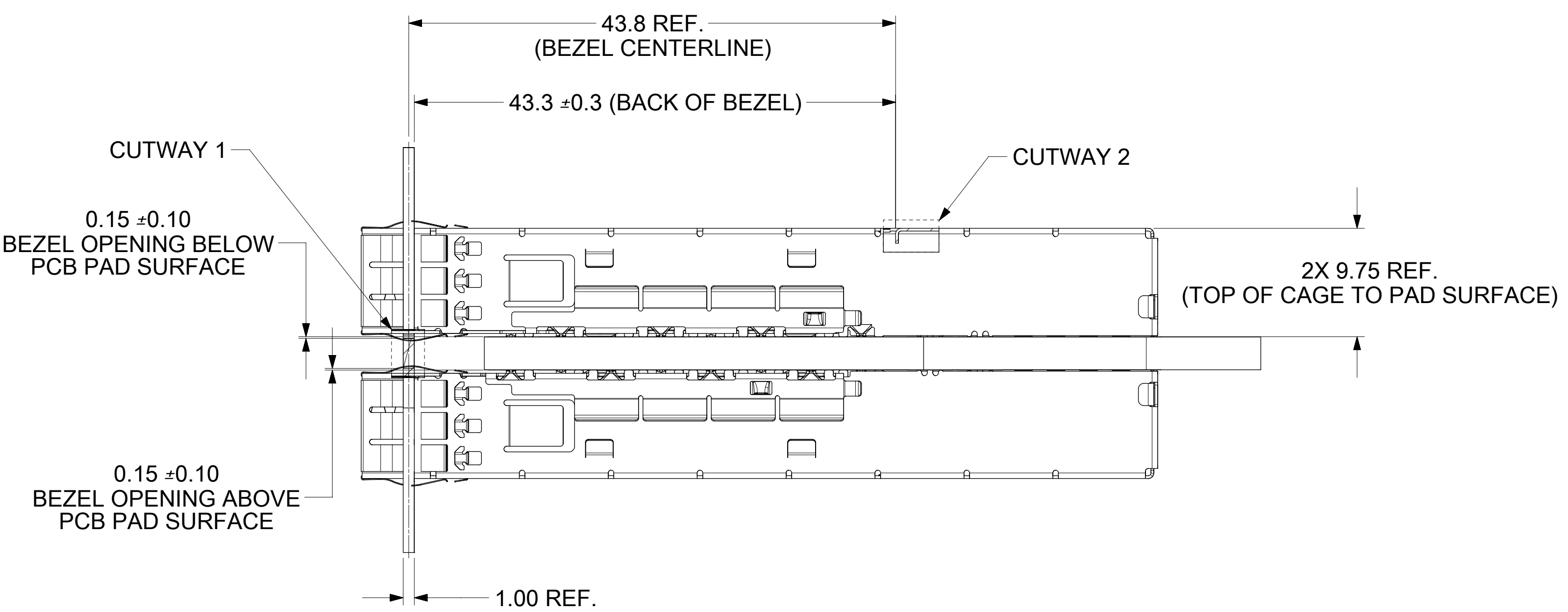


PARTIAL 3
SCALE 4:1

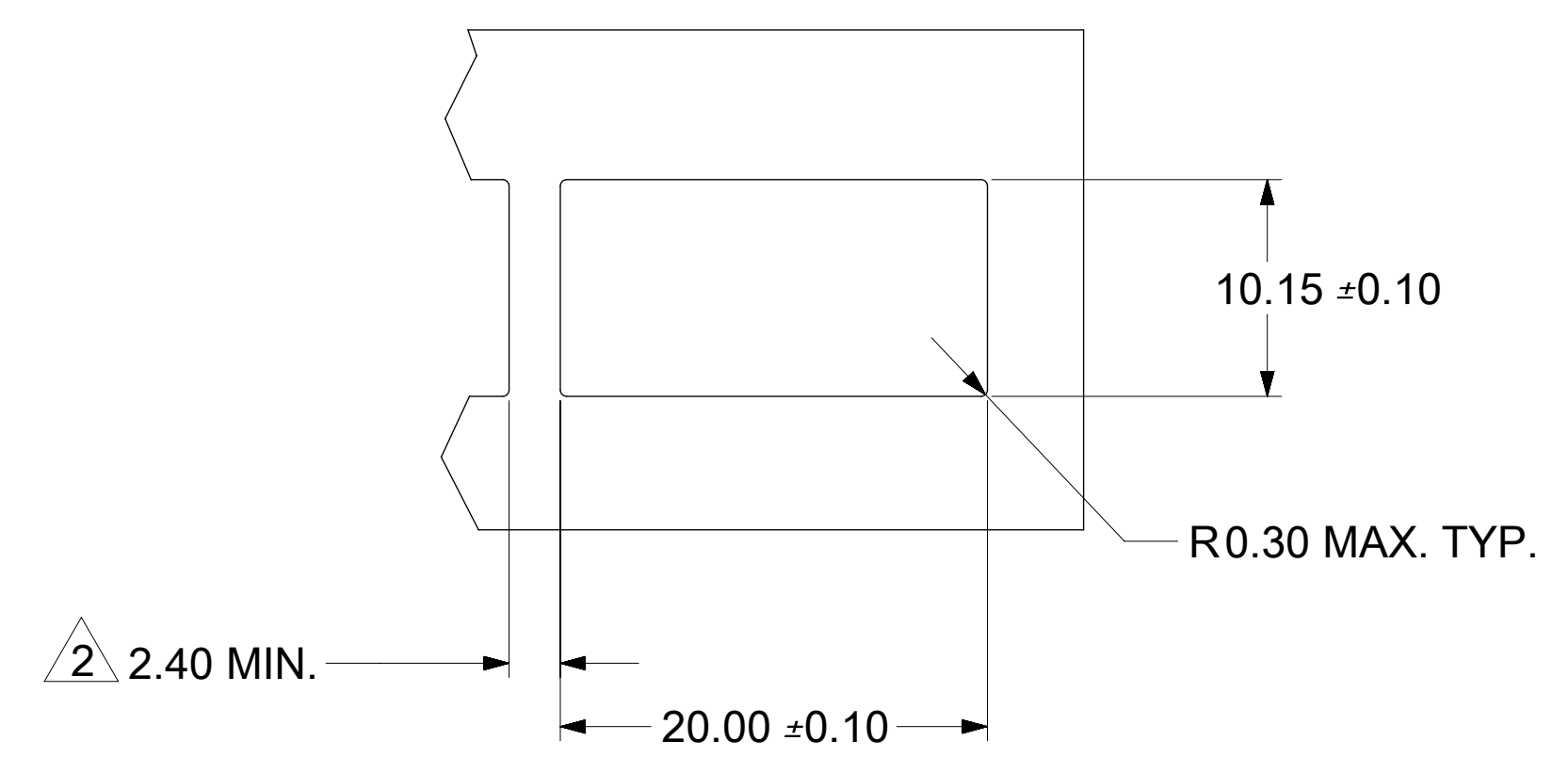
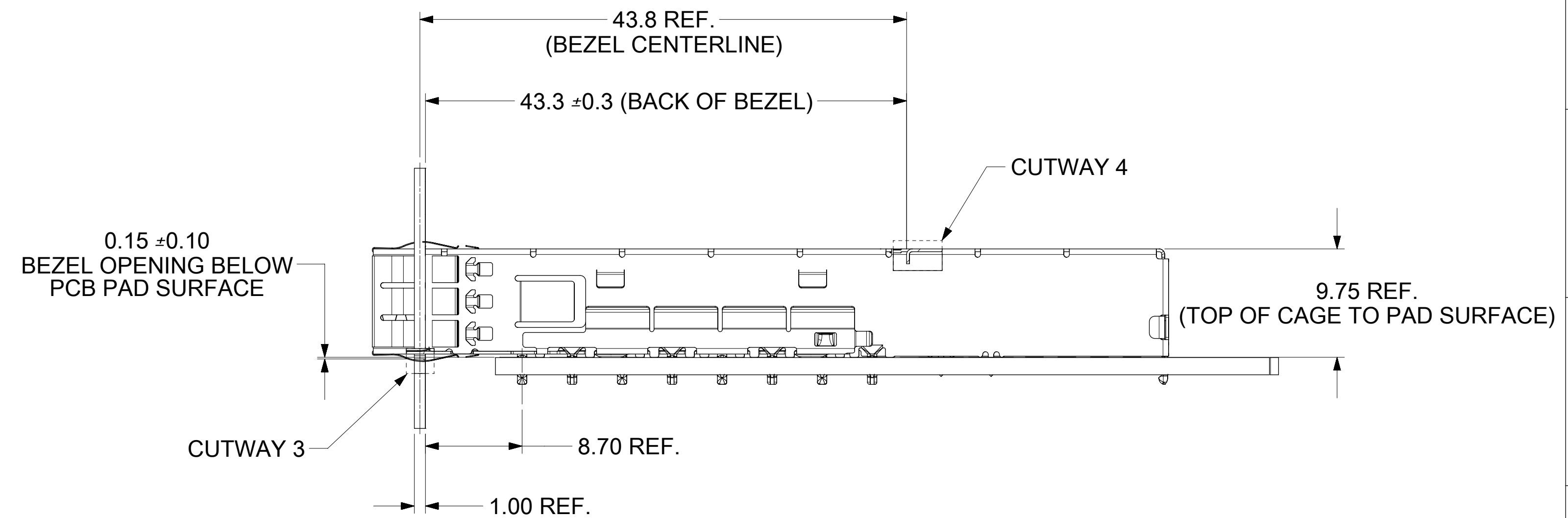
- NOTES:
- PADS AND VIAS GO TO CHASSIS GROUND. (RECOMMENDED PADS TO BE 2.00x4.00mm RECTANGLE.)
 - RECOMMENDED THRU HOLE PLATING INCLUDES HASL, OSP, OR IMMERSION (GOLD, SILVER, OR TIN).
 - CONNECTOR PAD LAYOUT PER QSFP-DD WILL ACCOMODATE MOLEX CONNECTOR SERRIES 202718.

THIS DRAWING CONTAINS INFORMATION THAT IS PROPRIETARY TO MOLEX ELECTRONIC TECHNOLOGIES, LLC AND SHOULD NOT BE USED WITHOUT WRITTEN PERMISSION									
DIMENSION UNITS	SCALE	CURRENT REV DESC: SEE REVISION TABLE							
mm	4:1	<p>QSFP-DD 1X1 CAGE ASSY SF WITH FIN H/S OPTIONS</p> <p>PRODUCT CUSTOMER DRAWING</p>							
GENERAL TOLERANCES (UNLESS SPECIFIED)									
ANGULAR TOL	± 2.0°								
4 PLACES	±								
3 PLACES	±								
2 PLACES	± 0.13	EC NO: 629406	2019/12/13						
1 PLACE	± 0.25	DRWN: JYEN01	2019/12/20						
0 PLACES	±	CHK'D: SCHIEN	2019/12/20						
DRAFT WHERE APPLICABLE MUST REMAIN WITHIN DIMENSIONS		THIRD ANGLE PROJECTION		DRAWING	SERIES	MATERIAL NUMBER			
				D-SIZE	203143	SEE P/N TABLE			
				CUSTOMER		GENERAL MARKET			
				SHEET NUMBER		5 OF 7			

BEZEL AND BOARD POSITION DIMENSIONS FOR BELLY TO BELLY MOUNTING



BEZEL AND BOARD POSITION DIMENSIONS FOR SINGLE SIDE MOUNTING



NOTE:
 1. PCB THICKNESS VARIATION MUST BE CONSIDERED WHEN DETERMINING BEZEL OPENING LOCATION.
 2. THIS DIMENSION IS FOR REFERENCE ONLY. USER CAN MODIFY IT DEPENDS ON APPLICATION.
 (THIS DIMENSION VARIES BASED ON DISTANCE OF "HOLE OF ADJACENT CAGE" ON PCB LAYOUT.)

THIS DRAWING CONTAINS INFORMATION THAT IS PROPRIETARY TO MOLEX ELECTRONIC TECHNOLOGIES, LLC AND SHOULD NOT BE USED WITHOUT WRITTEN PERMISSION									
DIMENSION UNITS	SCALE	CURRENT REV DESC: SEE REVISION TABLE							
mm	3:1	<div style="text-align: center;">molex</div> QSFP-DD 1X1 CAGE ASSY SF WITH FIN H/S OPTIONS PRODUCT CUSTOMER DRAWING							
GENERAL TOLERANCES (UNLESS SPECIFIED)									
ANGULAR TOL	± 2.0°								
4 PLACES	±								
3 PLACES	±								
2 PLACES	± 0.13								
1 PLACE	± 0.25	EC NO: 629406	2019/12/13						
0 PLACES	±	DRWN: JYEN01	2019/12/20						
DRAFT WHERE APPLICABLE MUST REMAIN WITHIN DIMENSIONS		THIRD ANGLE PROJECTION	DRAWING	SERIES	MATERIAL NUMBER	CUSTOMER	SHEET NUMBER		
			D-SIZE	203143	2031431201	GENERAL MARKET	6 OF 7		

