

10

9

8

7

6

5

4

3

2

1

F

F

E

E

D

D

C

C

B

B

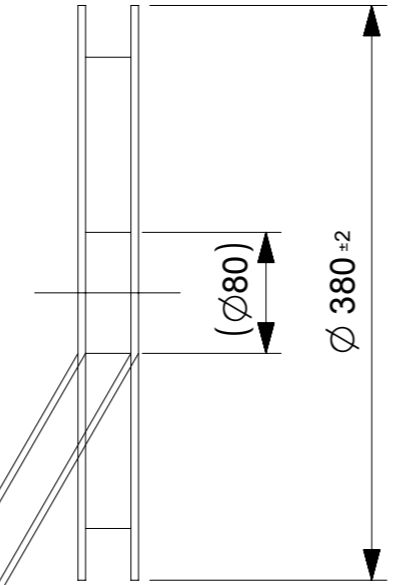
A

A

PULL OUT DIRECTION

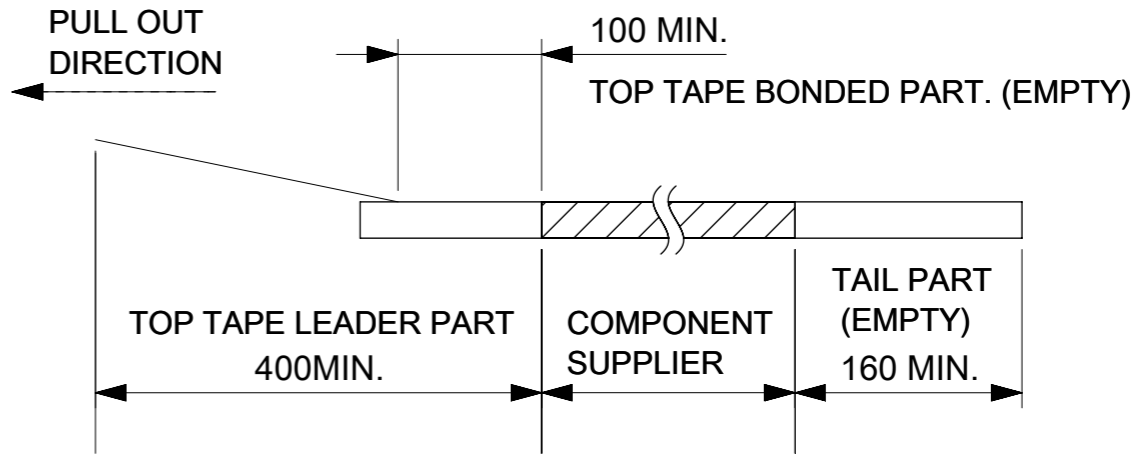
REEL

"D"

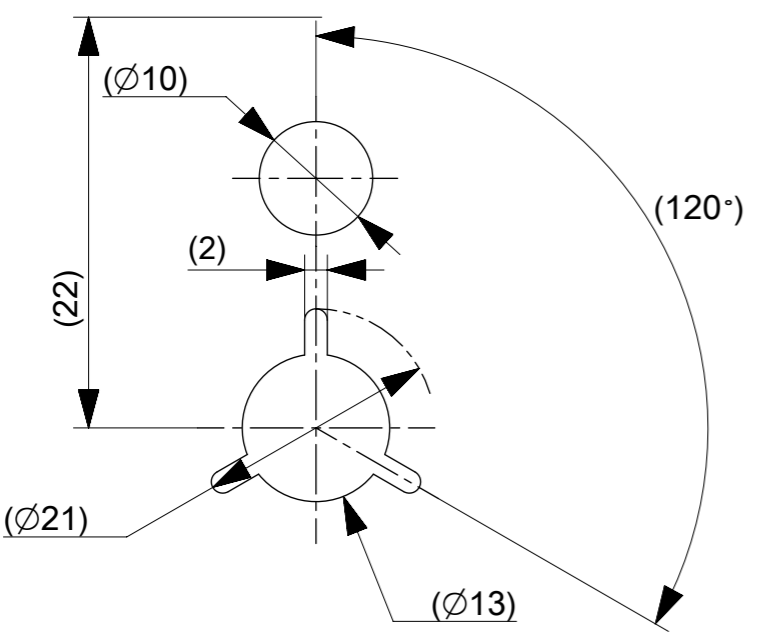


NOTES

- 1. RE DETAILED DIMENSION, SEE PRODUCT DRAWING.
- 2. NUMBER OF CONNECTORS : 11000PCS/REEL
- 3. LEAD TAPE LENGTH.



- 4. PEELING OFF FORCE OF THE TOP TAPE IS DEFINED BY IEC60286-3.
- 5. MATERIAL
 CARRIER TAPE : POLYSTYRENE OR PET
 TOP TAPE : PET , OTHER
 REEL : POLYSTYRENE (PS) < RECYCLE MATERIAL CONTAINED >
- 6. CONFORM TO 2188769200-SPK/PS/200 FOR PACKAGING SPECIFICATION.
- 7. CONFORM TO 2188769200-SPK/PS/201 FOR PACKAGING SPECIFICATION.



DETAIL "D"

THIS DRAWING CONTAINS INFORMATION THAT IS PROPRIETARY TO MOLEX ELECTRONIC TECHNOLOGIES, LLC AND SHOULD NOT BE USED WITHOUT WRITTEN PERMISSION									
DIMENSION UNITS		SCALE		CURRENT REV DESC:				molex	
mm		1:1							
GENERAL TOLERANCES (UNLESS SPECIFIED)				EC NO: 732080				5G25 REC EMOSS PACKAGE	
ANGULAR TOL ± °				DRWN: RAJMOK 2022/12/02				PRODUCT CUSTOMER DRAWING	
4 PLACES ±				CHK'D: YNUKANOBU 2022/12/15				DOCUMENT NUMBER	
3 PLACES ±				APPR: YNAITO 2022/09/14				2188760000-SD	
2 PLACES ±				INITIAL REVISION:				DOC TYPE	
1 PLACE ±				DRWN: NKONDO 2021/11/09				PSD	
0 PLACES ±				APPR: KSASAKI 2022/09/14				DOC PART	
DRAFT WHERE APPLICABLE MUST REMAIN WITHIN DIMENSIONS				THIRD ANGLE PROJECTION		DRAWING		REVISION	
		A3-SIZE		SERIES		MATERIAL NUMBER		CUSTOMER	
		218876		SEE SHEET-2		GENERAL		1 OF 2	

9

8

7

6

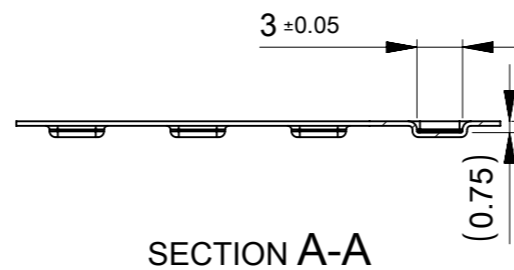
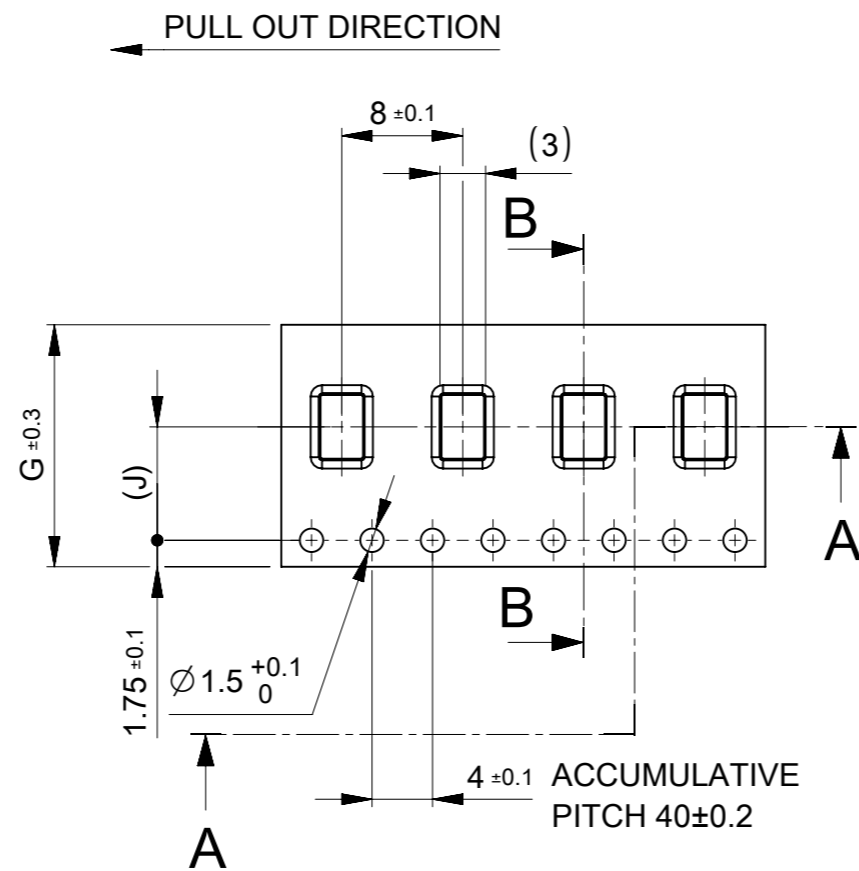
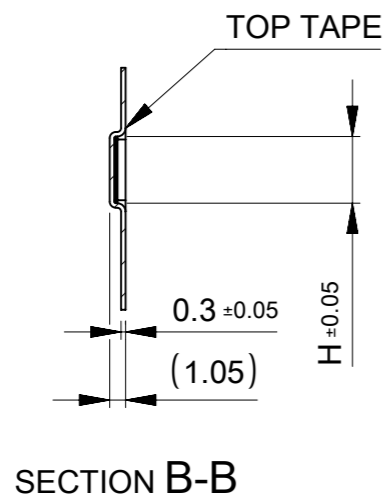
5

4

3

2

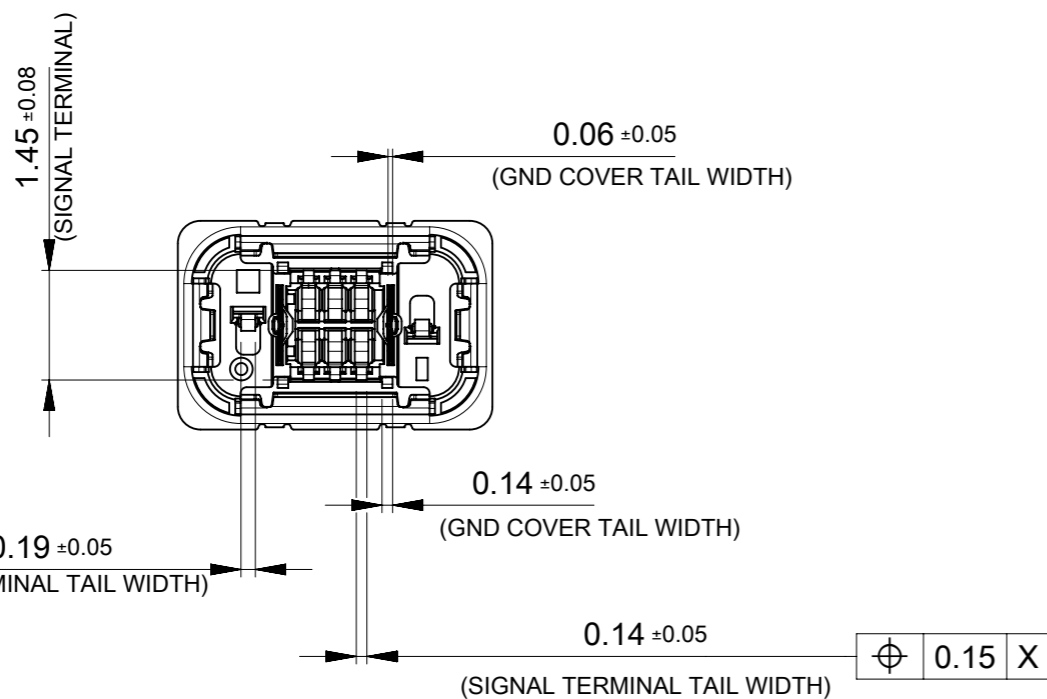
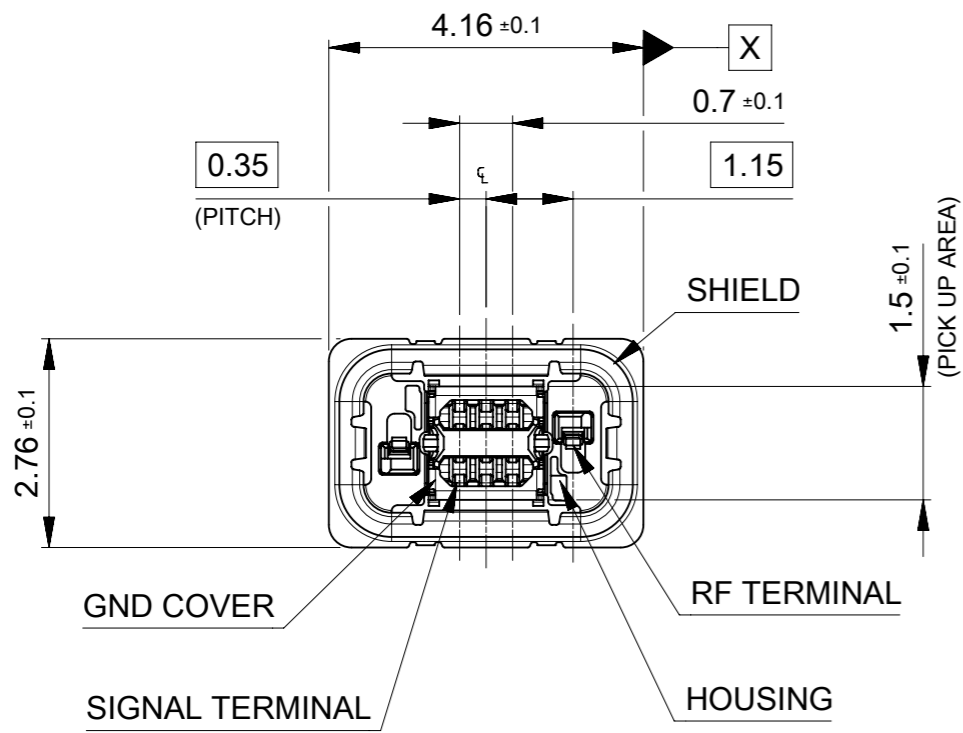
1



2188760064	2188760062	7.5	4.4	16	21.4	17.4	○	---	6
ORDER NO.	ORDER NO.	J	H	G	F	E	HIGH VOL. TOOL	LOW VOL. TOOL	Ckt.
PACKAGING SPEC:	PACKAGING SPEC:						SAMPLE PREPARATION ○ : TOOLED △ : WORK IN PROCESS --- : TOOLING TO BE CONFIRMED		

CONNECTOR SERIES No: 218876****

THIS DRAWING CONTAINS INFORMATION THAT IS PROPRIETARY TO MOLEX ELECTRONIC TECHNOLOGIES, LLC AND SHOULD NOT BE USED WITHOUT WRITTEN PERMISSION										
DIMENSION UNITS mm	SCALE 2:1	CURRENT REV DESC:					molex			
GENERAL TOLERANCES (UNLESS SPECIFIED)		EC NO: 732080 DRWN: RAJMOK 2022/12/02 CHK'D: YNUKANOBU 2022/12/15 APPR: YNAITO 2022/12/19								
ANGULAR TOL ± °		INITIAL REVISION:					5G25 REC EMBOSS PACKAGE			
4 PLACES ±		DRWN: NKONDO 2021/11/09 APPR: KSASAKI 2022/09/14					PRODUCT CUSTOMER DRAWING			
3 PLACES ±		DOCUMENT NUMBER					2188760000-SD			
2 PLACES ±		DOC TYPE					PSD			
1 PLACE ±		DOC PART					000			
0 PLACES ±		REVISION					B			
DRAFT WHERE APPLICABLE MUST REMAIN WITHIN DIMENSIONS		THIRD ANGLE PROJECTION	DRAWING	SERIES	MATERIAL NUMBER	CUSTOMER	SHEET NUMBER			
			A3-SIZE	218876	SEE TABLE	GENERAL	2 OF 2			

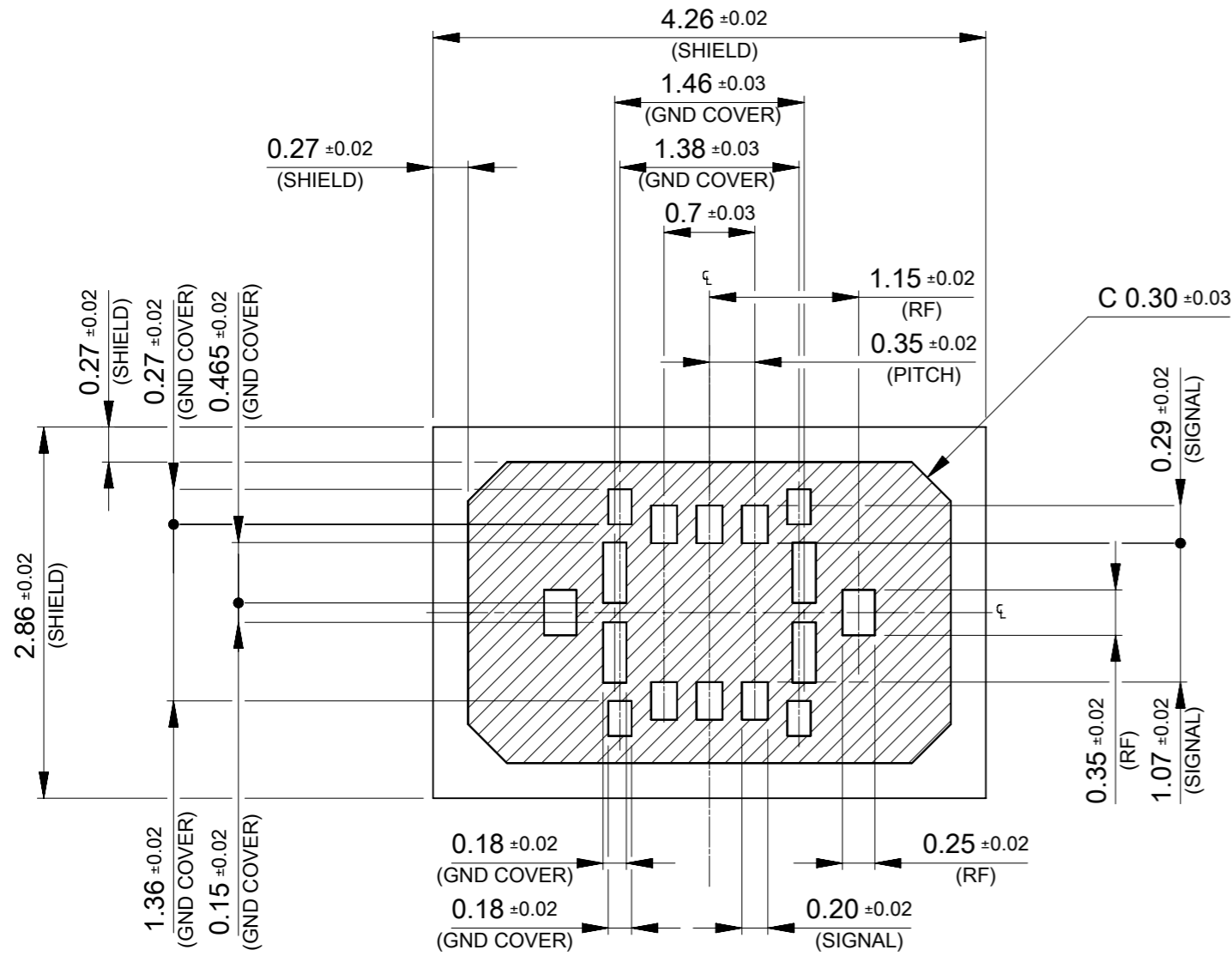


NOTES

- MATERIAL
 HOUSING : LIQUID CRYSTAL POLYMER UL94V-0(COLOR : BLACK)
 SIGNAL TERMINAL : COPPER ALLOY
 RF TERMINAL : COPPER ALLOY
 SHIELD : COPPER ALLOY
 GND COVER : COPPER ALLOY
- PLATING
 SIGNAL TERMINAL
 CONTACT AREA : GOLD
 TAIL AREA : GOLD
 UNDER : NICKEL
 RF TERMINAL
 CONTACT AREA : GOLD
 TAIL AREA : GOLD
 UNDER : NICKEL
 SHIELD
 TAIL AREA : NICKEL (SOLDERABLE)
 GND COVER
 CONTACT AREA : GOLD
 TAIL AREA : GOLD
 UNDER : NICKEL
- MATE WITH :2188770062
- COPLANARITY TO BE 0.08MAXIMUM.
- △ CONFORM TO 2188769200-SPK/PS/200 FOR PACKAGING SPECIFICATION.
- △ CONFORM TO 2188769200-SPK/PS/201 FOR PACKAGING SPECIFICATION.

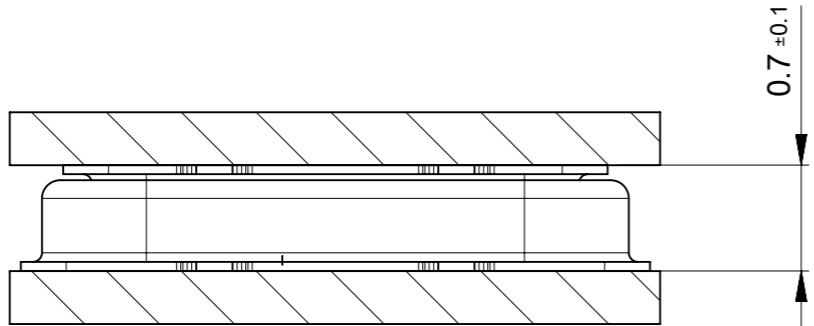
2188760064	2188760062	○	---	6
EMBOSED TAPE PACKAGE	EMBOSED TAPE PACKAGE	HIGH VOL. TOOL	LOW VOL. TOOL	SIGNAL CIRCUIT
ORDER No.	ORDER No.	SAMPLE PREPARATION ○ : TOOLED △ : WORK IN PROCESS --- : TOOLING TO BE CONFIRMED		
PACKAGING SPEC: △ 6	PACKAGING SPEC: △ 5			

THIS DRAWING CONTAINS INFORMATION THAT IS PROPRIETARY TO MOLEX ELECTRONIC TECHNOLOGIES, LLC AND SHOULD NOT BE USED WITHOUT WRITTEN PERMISSION									
DIMENSION UNITS	SCALE	CURRENT REV DESC:			molex				
mm	10:1								
GENERAL TOLERANCES (UNLESS SPECIFIED)					5G25 REC ASSY				
ANGULAR TOL	± 3.0 °	EC NO: 732080			PRODUCT CUSTOMER DRAWING				
4 PLACES	± 0.03	DRWN: RAJMOK 2022/12/02			DOCUMENT NUMBER				
3 PLACES	± 0.03	CHK'D: YNUKANOBU 2022/12/15			2188761000-SD				
2 PLACES	± 0.05	APPR: YNAITO 2022/12/19			DOC TYPE DOC PART REVISION				
1 PLACE	± 0.1	INITIAL REVISION:			PSD 000 B				
0 PLACES	± 0.2	DRWN: NKONDO 2021/11/09			MATERIAL NUMBER				
DRAFT WHERE APPLICABLE MUST REMAIN WITHIN DIMENSIONS		THIRD ANGLE PROJECTION	DRAWING	SERIES	CUSTOMER		SHEET NUMBER		
		⊕	A3-SIZE	218876	GENERAL		1 OF 2		



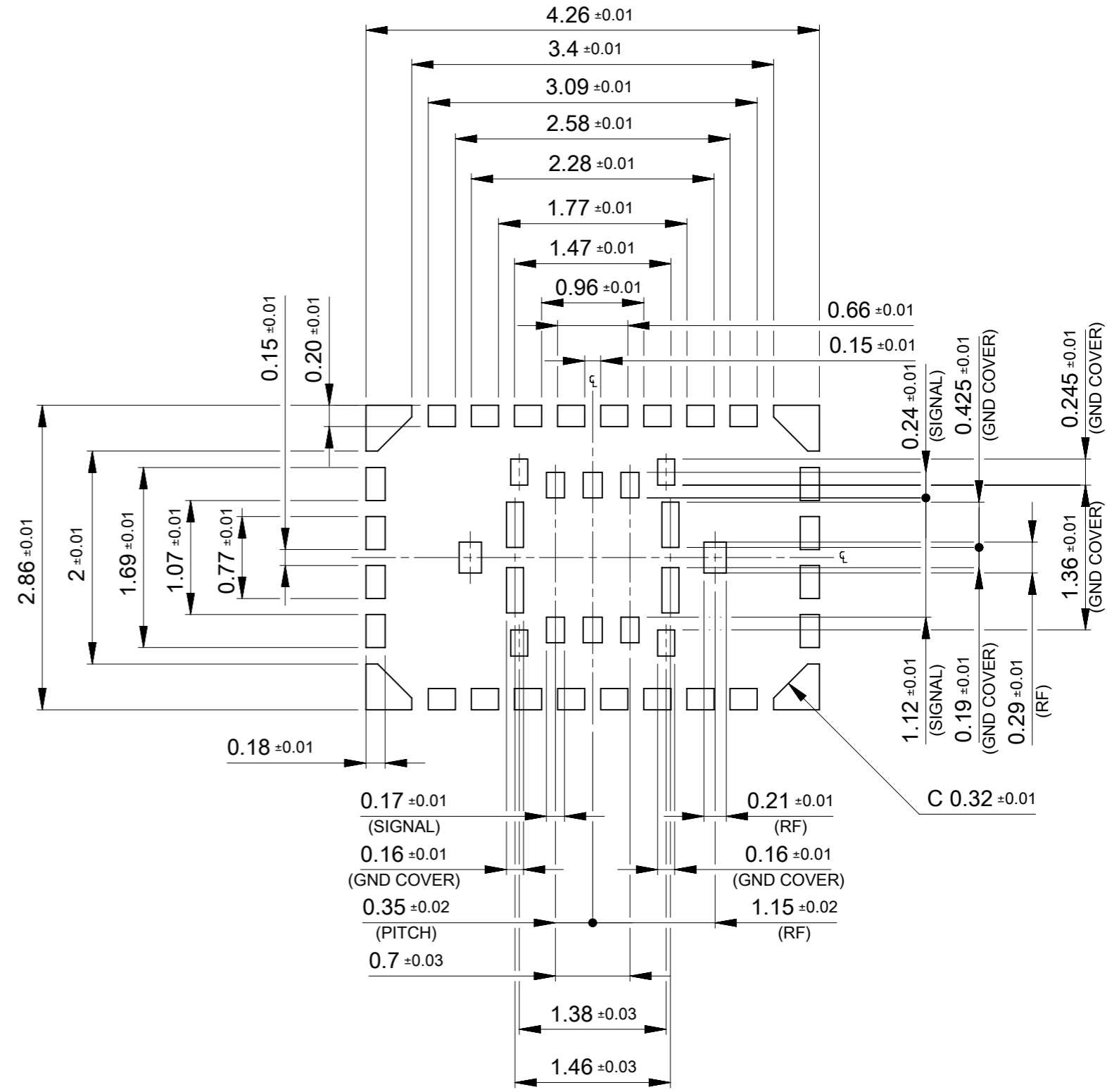
P.W. BOARD PATTERN LAYOUT

SOLDERING PROHIBITED AREA
 WHEN WIRING IS LOCATED, THE WIRING MUST BE MASKED
 BY COVER LAY OR RESIST FILM.



MATED CONDITION

THIS DIMENSION SHOW A DIMENSION BETWEEN THE TAIL TO TAIL.



METAL MASK LAYOUT

THICKNESS OF METAL MASK : t=0.08mm

THIS DRAWING CONTAINS INFORMATION THAT IS PROPRIETARY TO MOLEX ELECTRONIC TECHNOLOGIES, LLC AND SHOULD NOT BE USED WITHOUT WRITTEN PERMISSION									
DIMENSION UNITS		SCALE		CURRENT REV DESC:				molex	
mm		20:1							
GENERAL TOLERANCES (UNLESS SPECIFIED)									
ANGULAR TOL ± 3.0 °									
4 PLACES		± 0.03		EC NO: 732080		2022/12/02		5G25 REC ASSY	
3 PLACES		± 0.03		DRWN: RAJMOK		2022/12/15			
2 PLACES		± 0.05		CHK'D: YNUKANOBU		2022/12/19		PRODUCT CUSTOMER DRAWING	
1 PLACE		± 0.1		APPR: YNAITO					
0 PLACES		± 0.2		INITIAL REVISION:				DOCUMENT NUMBER	
DRAFT WHERE APPLICABLE MUST REMAIN WITHIN DIMENSIONS		THIRD ANGLE PROJECTION		DRAWING		SERIES		MATERIAL NUMBER	
				A3-SIZE		218876		2188761000-SD	
				CUSTOMER		GENERAL		DOC TYPE DOC PART REVISION	
								PSD 000 B	
DOCUMENT STATUS		P1		RELEASE DATE		2022/12/19 03:30:15		SHEET NUMBER	
								2 OF 2	