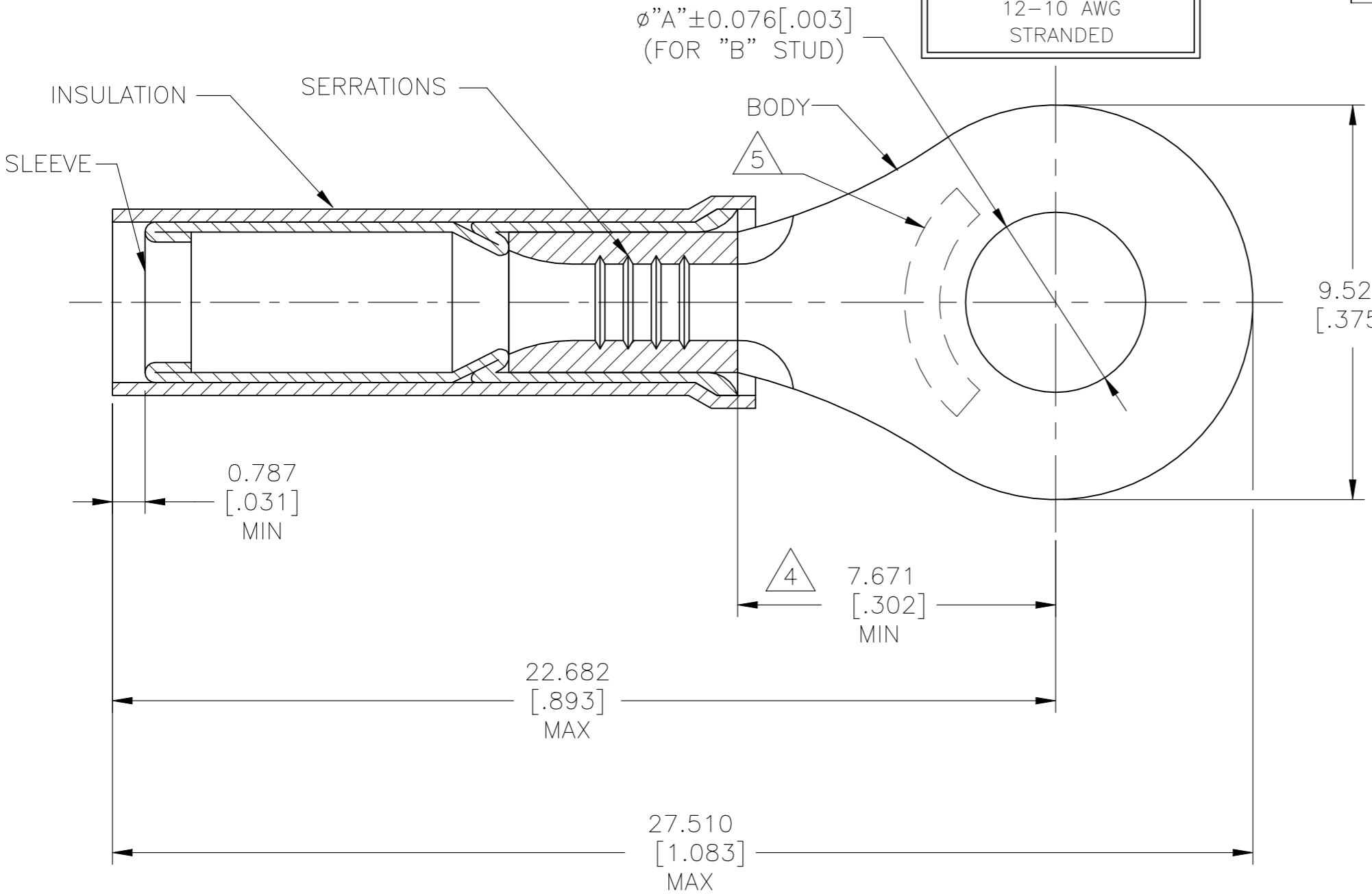


**AMP**  
WIRE RANGE

---

12-10 AWG  
STRANDED

REVISIONS				
P	LTR	DESCRIPTION	DATE	APVD
	J6	ECR-22-138429	19MAY2022	LP DSC



- 1 MATERIAL:  
BODY & SLEEVE - COPPER PER ASTM B152  
INSULATION - PTFE PER ASTM D4895
- FINISH:  
BODY - NICKEL PLATE 0.00762[.00030]  
AVG EXT THK PER SAE AMS-QQ-N-290  
SLEEVE - NICKEL PLATE 0.001651[.000065]  
AVG EXT THK PER SAE AMS-QQ-N-290  
INSULATION COLOR - BLACK
- 2 FOR 2.591[.102] TO 5.436[.214]  
WIRE INSULATION DIA.
- 3 BODY MATERIAL THK: 0.991±0.051 [.039±.002]
- 4 DIMENSION APPLIES FROM EDGE OF  
METAL WIRE BARREL TO CENTER OF  
STUD HOLE
- 5 STAMP "AMP 12-10\*" APPROX AS SHOWN

1000	5.004[.197]	#10	LOOSE PIECE	50845-2
1000	4.343[.171]	M4[#8]	LOOSE PIECE	50845-1
1000	3.683[.145]	M3.5[#6]	LOOSE PIECE	50845
QTY	"A"	"B"	PACKAGE TYPE	PART NO.

<b>AMP INCORPORATED</b> CUSTOMER SERVICE SYSTEMS		MAX RECOMMENDED OPERATING TEMPERATURE: 288°C [550°F]	THIS DRAWING IS A CONTROLLED DOCUMENT.		DWN NAGALAKSHMI K 13OCT2015	<b>STE</b> TE Connectivity			
FOR ADDITIONAL PRODUCT INFORMATION OR COPIES OF DRAWINGS AND TECHNICAL DOCUMENTS	PRODUCT INFORMATION CENTER 1-800-522-6752	VOLTAGE RATING: 300V MAX	DIMENSIONS: mm [INCHES]	TOLERANCES UNLESS OTHERWISE SPECIFIED:	CHK MERCURIO MAURIZIO 13OCT2015				
FOR APPLICATION TOOLING INFORMATION	TOOLING ASSISTANCE CENTER 1-800-722-1111	CIRCULAR MIL AREA: 2.62-6.64mm <sup>2</sup> [5,180-13,100] STRANDED WIRE ONLY		0 PLC ± - 1 PLC ± - 2 PLC ± - 3 PLC ± 0.127[.005] 4 PLC ± - ANGLES ± -	APVD MERCURIO MAURIZIO 13OCT2015	PRODUCT SPEC -			
FOR ORDER ENTRY	1-800-526-5142		MATERIAL	FINISH	APPLICATION SPEC 114-2162	SIZE A3	CAGE CODE 00779	DRAWING NO C-50845	RESTRICTED TO -
					CUSTOMER DRAWING	SCALE NTS	SHEET 1 OF 1	REV J6	