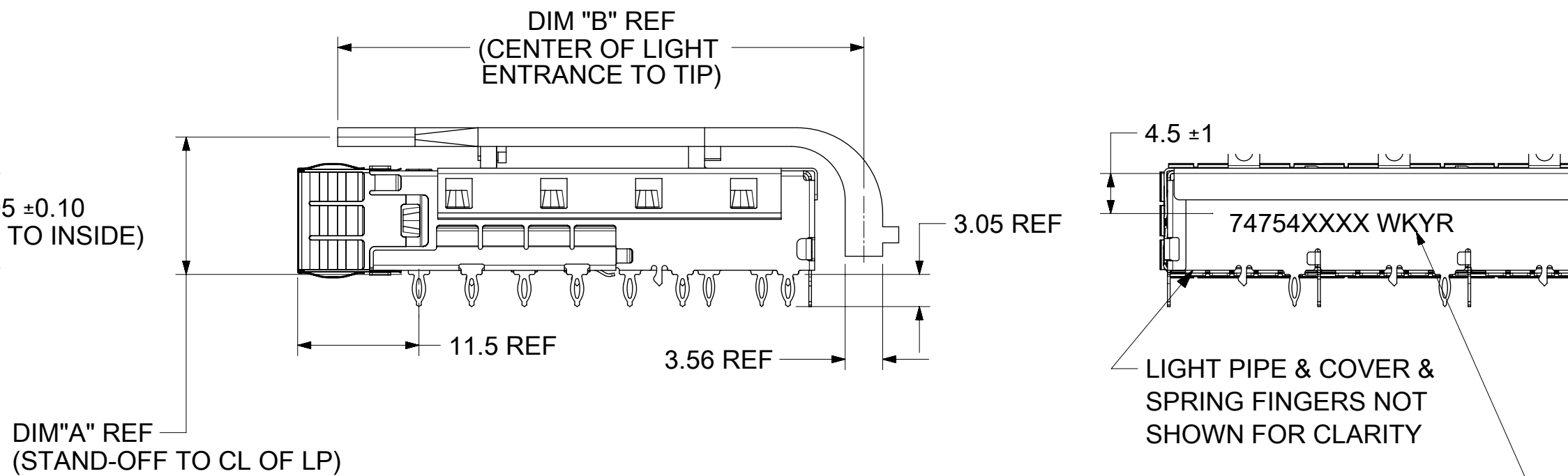
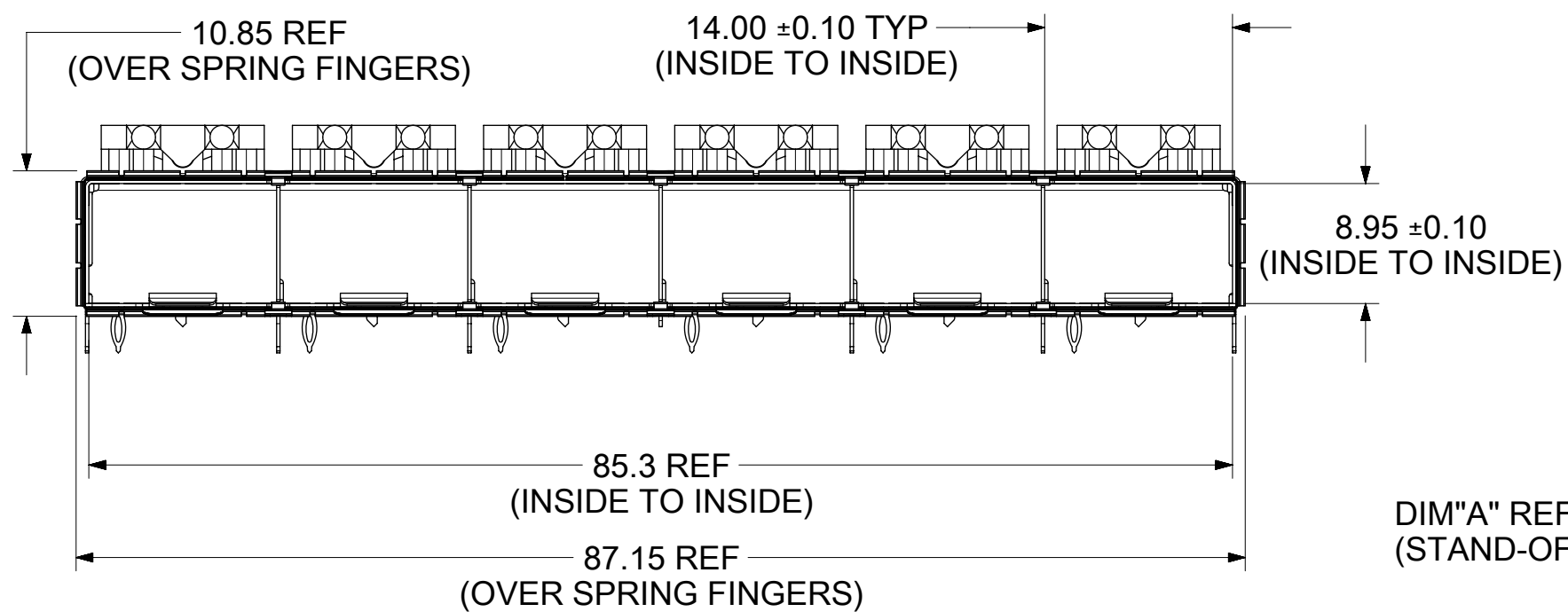
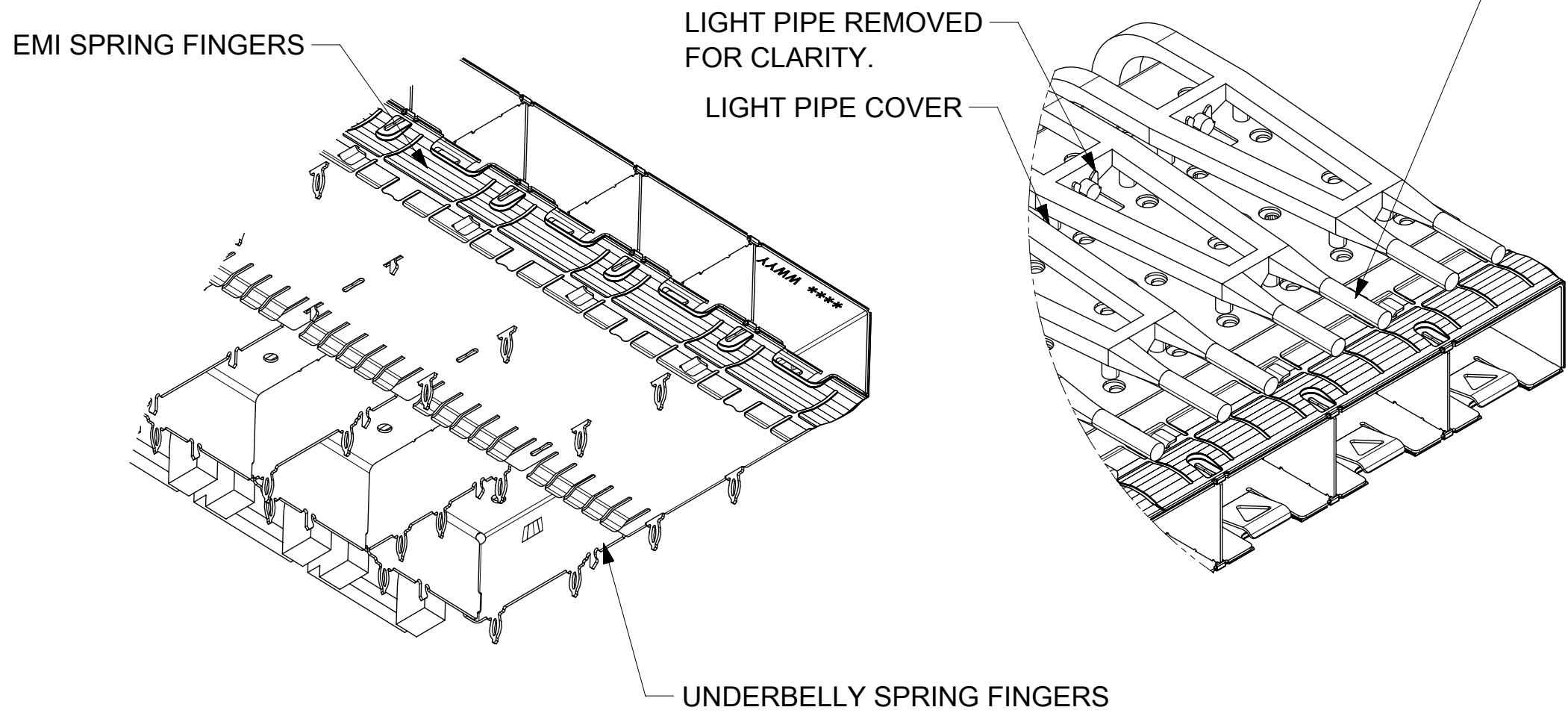
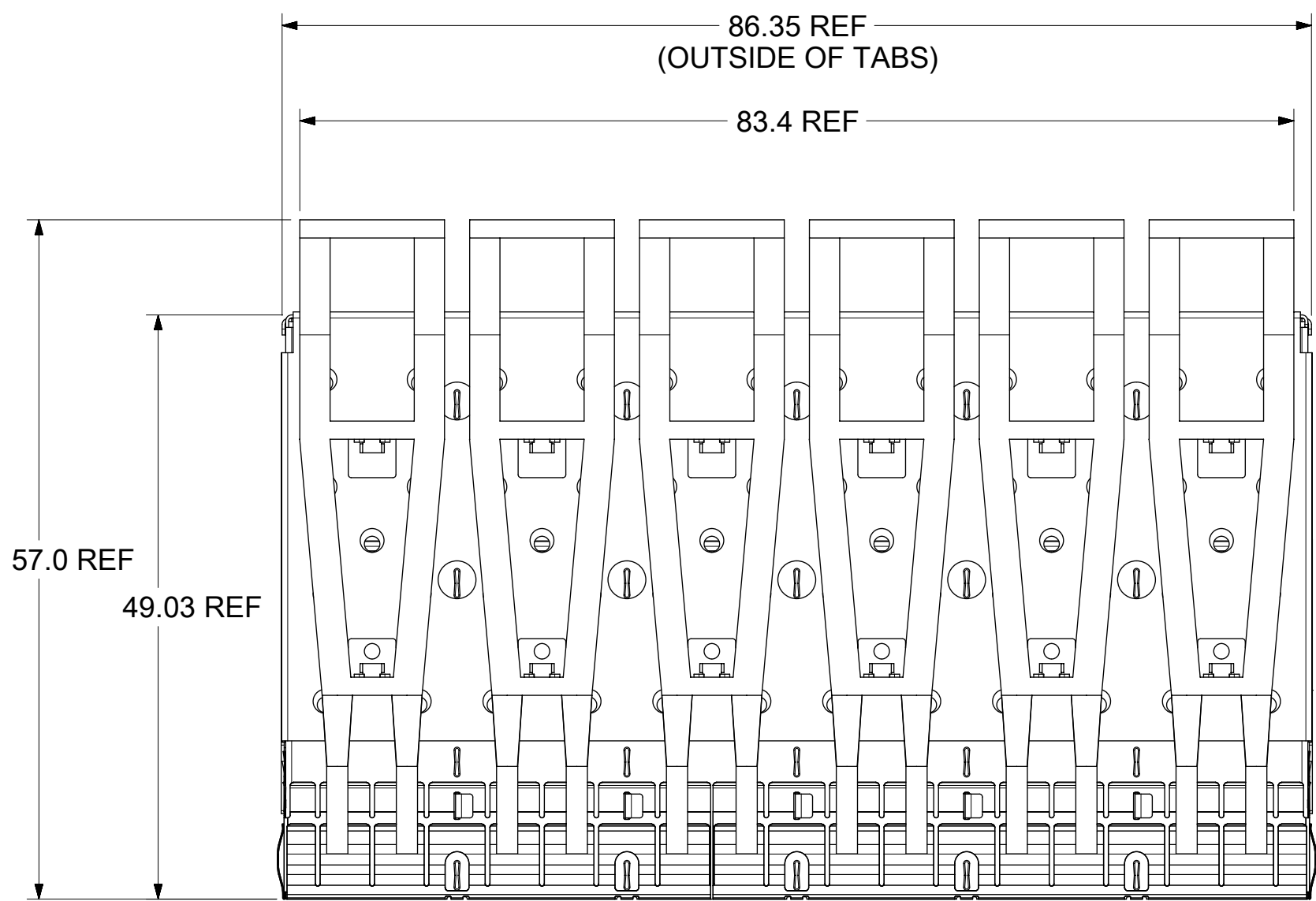


747548716 SHOWN



P/N AND WEEK/YEAR DATE CODE TO BE PRINTED ON BACK OF COMPLETED CAGE ASSEMBLY APPROXIMATELY AS SHOWN. SEE TABLE BELOW FOR DATE CODE INFORMATION.

WEEK/YEAR DATE CODE TABLE	
WK	WEEK OF THE YEAR 01 THRU 52 (EXAMPLE: 01= FIRST WEEK OF YEAR 52= LAST WEEK OF YEAR)
YR	22, 23, 24 ETC.. (EXAMPLE: YEAR 2022= 22)

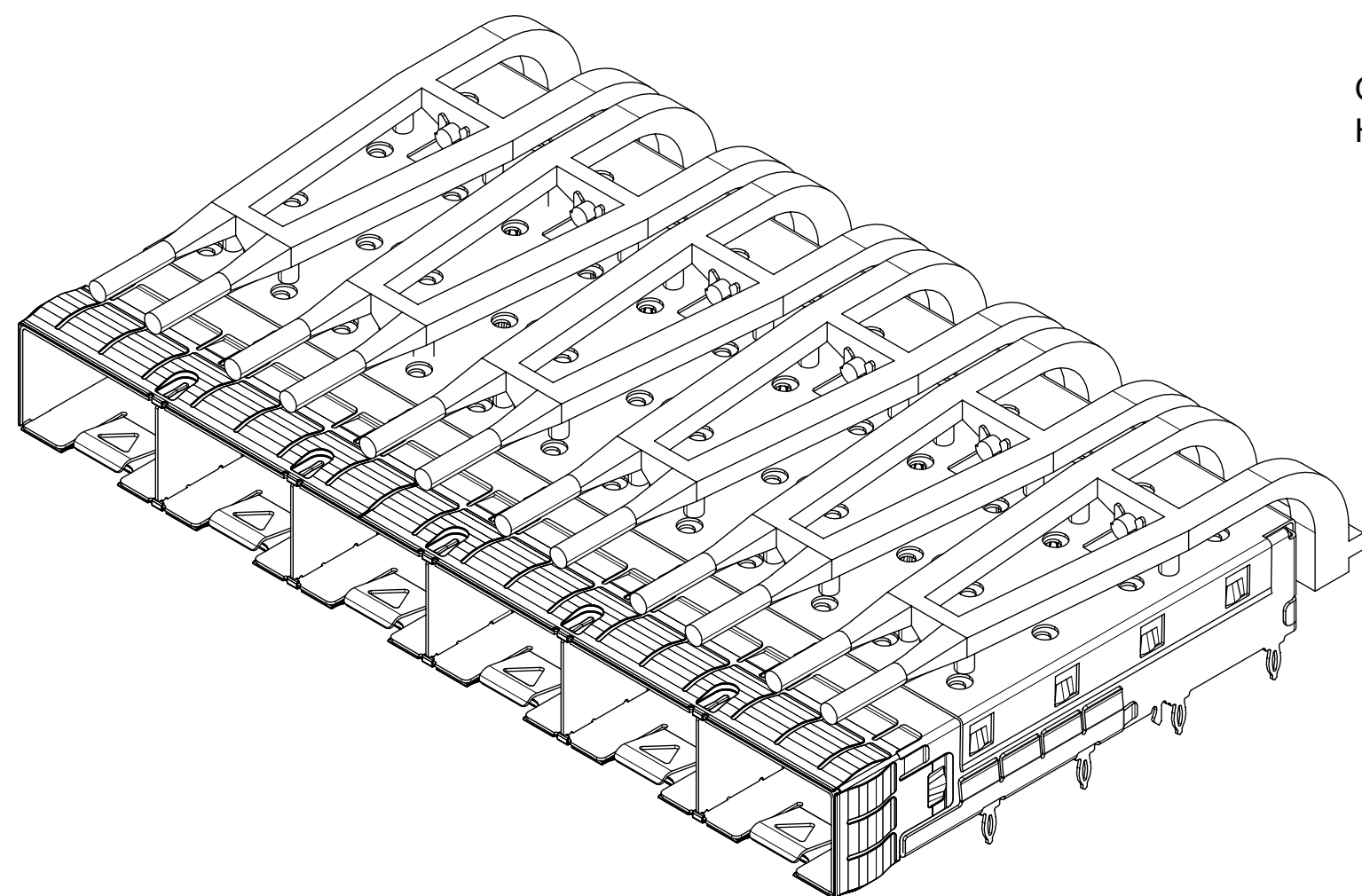
- NOTES:
- MATERIAL:
CAGE: NICKEL PLATED COPPER ALLOY, THICKNESS 0.25mm.
SPRING FINGER: STAINLESS STEEL.
LIGHT PIPE COVER: NICKEL PLATED COPPER ALLOY.
LIGHT PIPE: POLYCARBONATE (94-V0 RATED)
 - PORTS ARE DESIGNED FOR SFP+ TRANSCEIVERS AND ARE COMPATIBLE WITH SFP TRANSCEIVERS.
 - WELD SPOTS WILL SHOW SLIGHT DISCOLORATION ON EMI SPRING FINGER, LP COVER & REAR CAGE.
 - IT IS NOT RECOMMENDED TO PRESS ON LIGHT PIPES WHEN INSTALLING CAGE.
 - NO RoHS EXEMPTIONS.

FUNCTIONAL SYMBOLS	THIS DRAWING CONTAINS INFORMATION THAT IS PROPRIETARY TO MOLEX ELECTRONIC TECHNOLOGIES, LLC AND SHOULD NOT BE USED WITHOUT WRITTEN PERMISSION		CURRENT REV DESC: SEE REVISION TABLE				
	DIMENSION UNITS	SCALE					
	GENERAL TOLERANCES (UNLESS SPECIFIED)			EC NO: 706896			
	ANGULAR TOL			DRWN: PKH 2022/04/06			
DIVISIONAL SYMBOLS	4 PLACES	±	CHK'D: TKUMARKC 2022/05/19	APPR: SCHIEN 2022/05/26	PRODUCT CUSTOMER DRAWING DOCUMENT NUMBER: 747548716 DOC TYPE: PSD ASY DOC PART: A SHEET NUMBER: 1 OF 6		
	3 PLACES	±	INITIAL REVISION:				
	2 PLACES	±	DRWN: PKH 2022/04/06	APPR: SCHIEN 2022/05/26			
	1 PLACE	±					
0 PLACES	±						
DRAFT WHERE APPLICABLE MUST REMAIN WITHIN DIMENSIONS		THIRD ANGLE PROJECTION	DRAWING	SERIES	MATERIAL NUMBER	CUSTOMER	SHEET NUMBER
			C-SIZE	74754	SEE SHEET 2		1 OF 6

DOCUMENT STATUS	P1	RELEASE DATE	2022/05/26 08:01:46
-----------------	----	--------------	---------------------

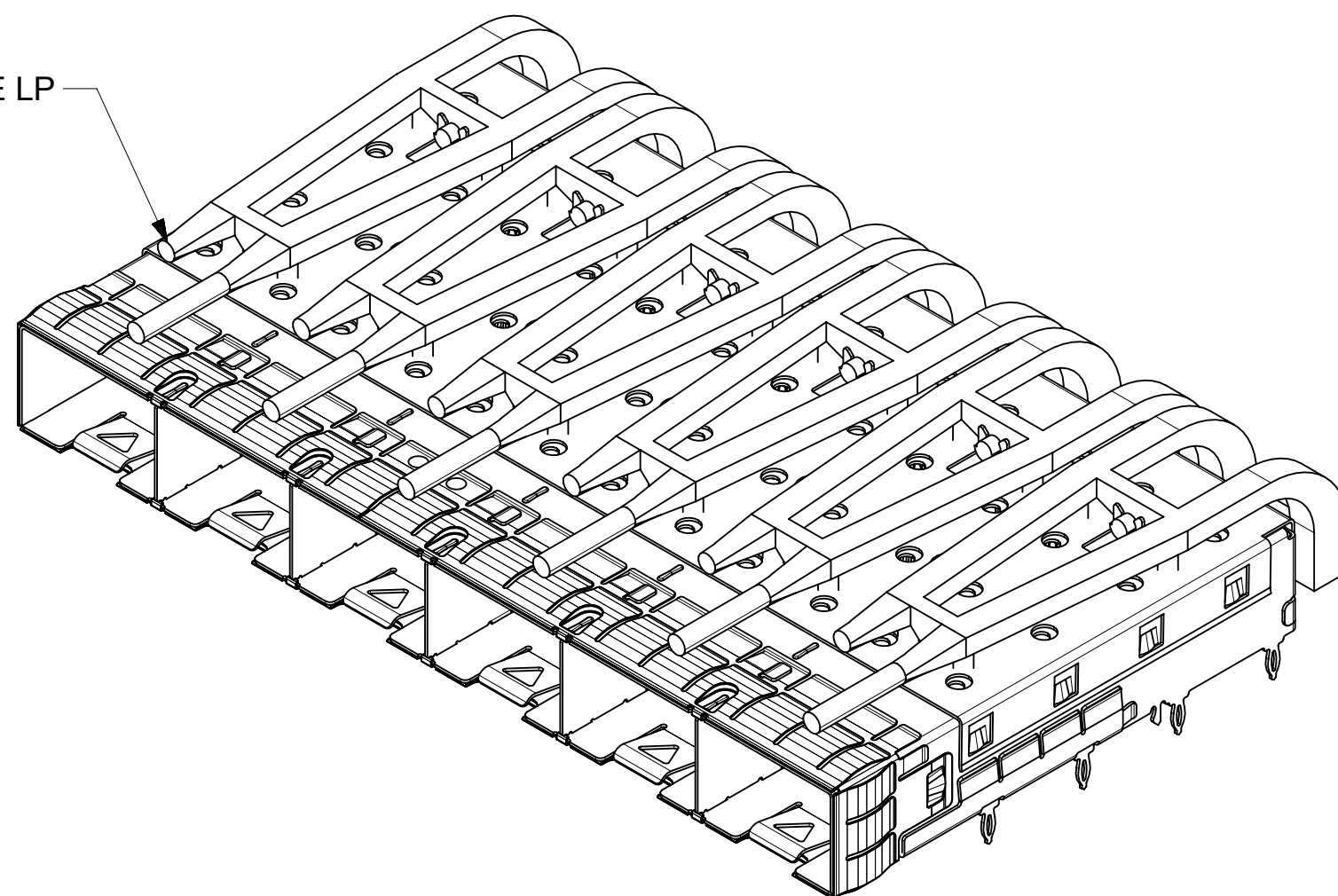
PART NUMBER SELECTION

NO HEATISINK
W/SHORT LIGHT PIPES
CLOSED TOP



NO HEATISINK
W/ LONG SINGLE LIGHT PIPE
CLOSED TOP

ONE END OF THE LP
HAS BEEN CUT

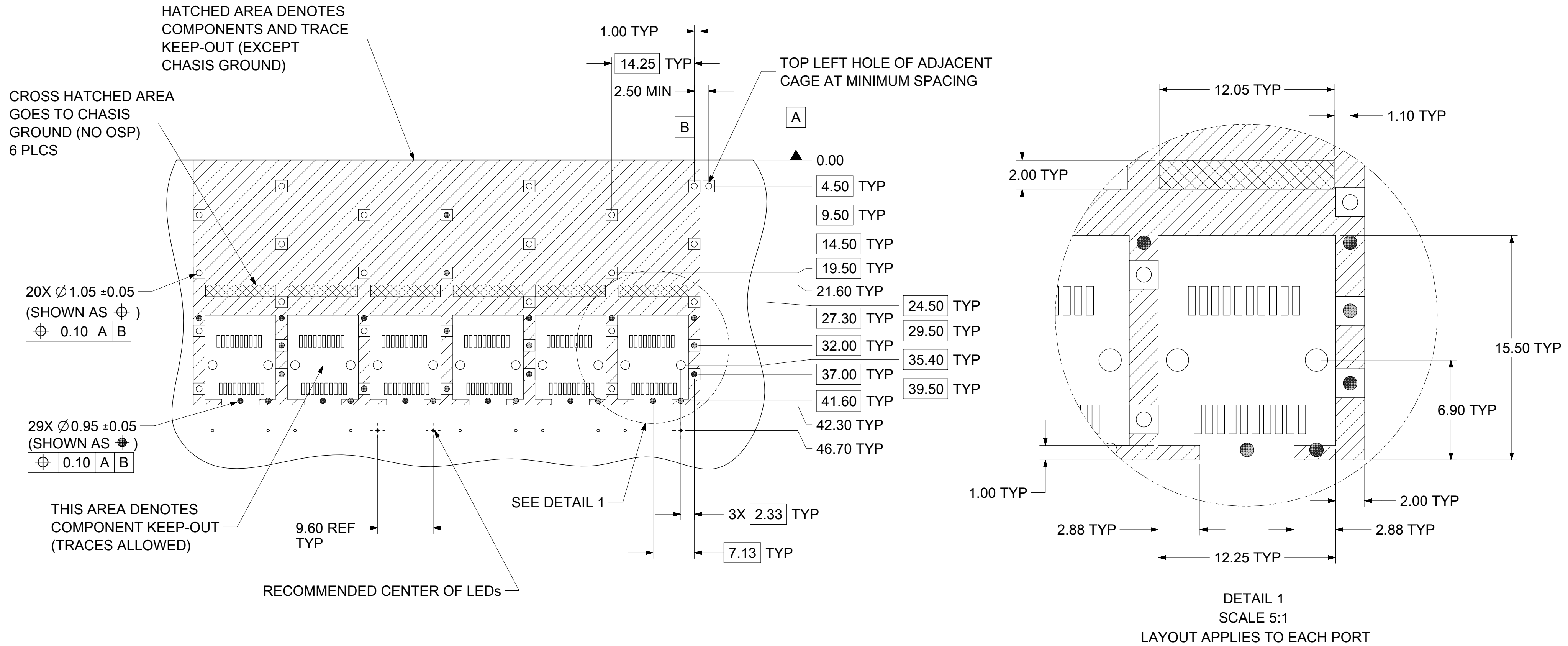


MOLEX P/N	# OF REAR LEGS PER PORT	DIM "A"	DIM "B"
747548716	2	13.0	49.90

MOLEX P/N	# OF REAR LEGS PER PORT	DIM "A"	DIM "B"
747548724	2	13.0	51.60

FUNCTIONAL SYMBOLS $\nabla_A = 0$ $\nabla_C = 0$ $\nabla_P = 0$	THIS DRAWING CONTAINS INFORMATION THAT IS PROPRIETARY TO MOLEX ELECTRONIC TECHNOLOGIES, LLC AND SHOULD NOT BE USED WITHOUT WRITTEN PERMISSION		CURRENT REV DESC: SEE REVISION TABLE		
	DIMENSION UNITS	SCALE			
	mm	2:1			SFP+ 1X4 CAGE ASSY PRESS FIT TYPE, W/SUS SPRING FINGER & LOW PROFILE LIGHT PIPE
	GENERAL TOLERANCES (UNLESS SPECIFIED)				EC NO: 706896 DRWN: PKH CHK'D: TKUMARKC APPR: SCHIEN
	ANGULAR TOL	± °			2022/04/06 2022/05/19 2022/05/26
DIVISIONAL SYMBOLS 4 PLACES ± 3 PLACES ± 2 PLACES ± 1 PLACE ± 0 PLACES ±	DRAFT WHERE APPLICABLE MUST REMAIN WITHIN DIMENSIONS		THIRD ANGLE PROJECTION	DRAWING	SERIES
				C-SIZE	74754
					MATERIAL NUMBER: SEE SHEET 2 CUSTOMER: SHEET NUMBER: 2 OF 6

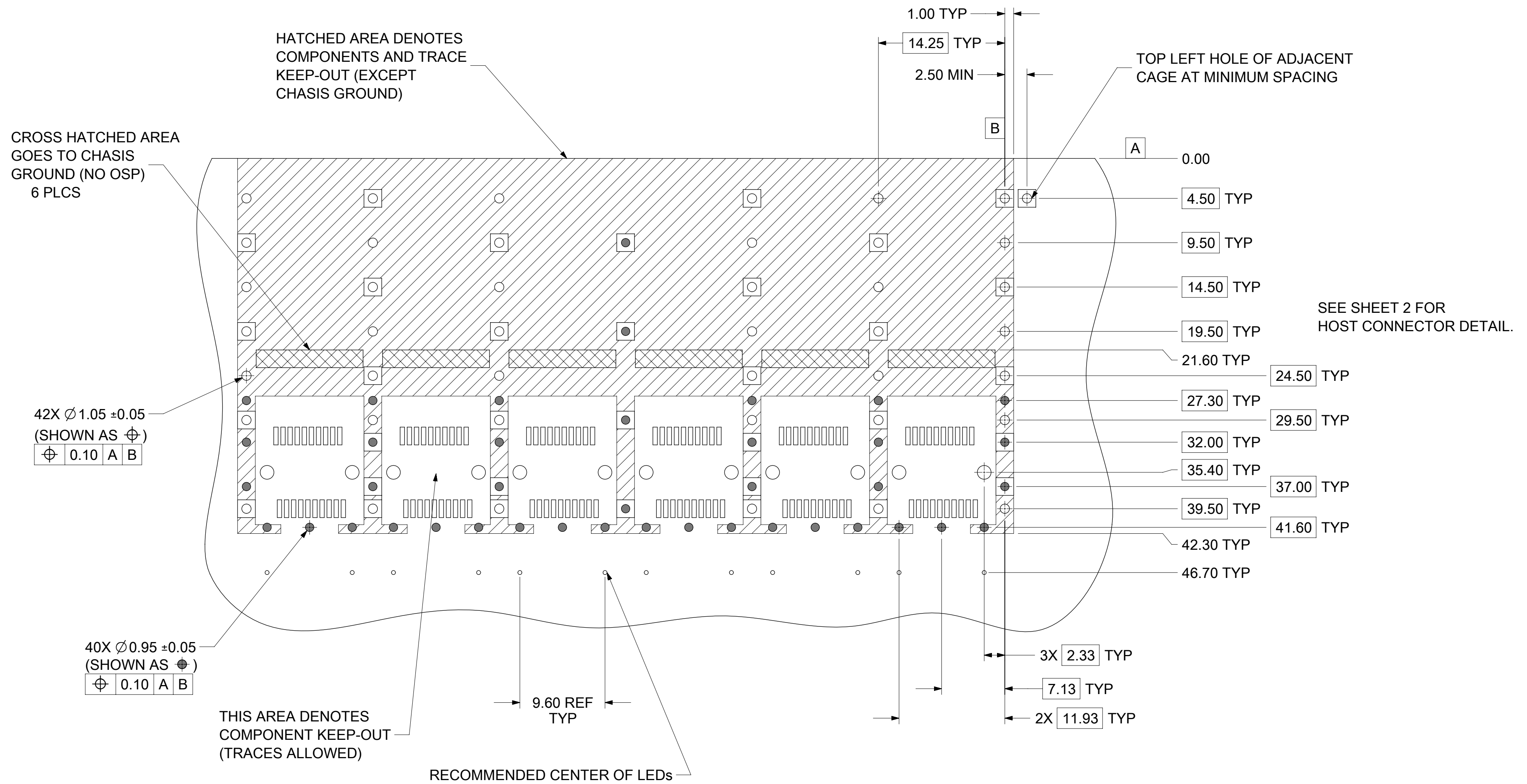
PCB LAYOUT FOR SINGLE SIDED MOUNTING



- NOTES:
1. PADS AND VIAS CONNECT TO CHASSIS GROUND (RECOMMEND PADS TO BE 2.00mm SQUARE)
 2. RECOMMENDED THRU HOLE PLATING INCLUDES HASL, OSP, OR IMMERSION (GOLD, SILVER, OR TIN).
 3. CONNECTOR PAD LAYOUT PER SFP+ MSA WILL ACCOMMODATE MOLEX CONNECTOR SERIES 74441 OR EQUIVALENT.
 4. HOLE PATTERN REPEATS FOR EACH PORT. SPACING BETWEEN PORTS IS 14.25mm.
 5. 1.57 MINIMUM PCB THICKNESS FOR SIGLE SIDE USE.

FUNCTIONAL SYMBOLS										THIS DRAWING CONTAINS INFORMATION THAT IS PROPRIETARY TO MOLEX ELECTRONIC TECHNOLOGIES, LLC AND SHOULD NOT BE USED WITHOUT WRITTEN PERMISSION																			
DIMENSION UNITS					SCALE					CURRENT REV DESC: SEE REVISION TABLE																			
mm					2:1					<p>GENERAL TOLERANCES (UNLESS SPECIFIED)</p> <p>ANGULAR TOL ± °</p> <p>EC NO: 706896</p> <p>DRWN: PKH 2022/04/06</p> <p>CHK'D: TKUMARKC 2022/05/19</p> <p>APPR: SCHIEN 2022/05/26</p> <p>INITIAL REVISION:</p> <p>DRWN: PKH 2022/04/06</p> <p>APPR: SCHIEN 2022/05/26</p>																			
4 PLACES ±																													
3 PLACES ±																													
2 PLACES ±																													
1 PLACE ±										PRODUCT CUSTOMER DRAWING																			
0 PLACES ±										DOCUMENT NUMBER					DOC TYPE DOC PART REVISION														
										747548716					PSD ASY A														
DRAFT WHERE APPLICABLE MUST REMAIN WITHIN DIMENSIONS					THIRD ANGLE PROJECTION					DRAWING					SERIES														
					C-SIZE					74754					MATERIAL NUMBER					CUSTOMER					SHEET NUMBER				
										SEE SHEET 2										3 OF 6									

PCB LAYOUT FOR BELLY TO BELLY MOUNTING

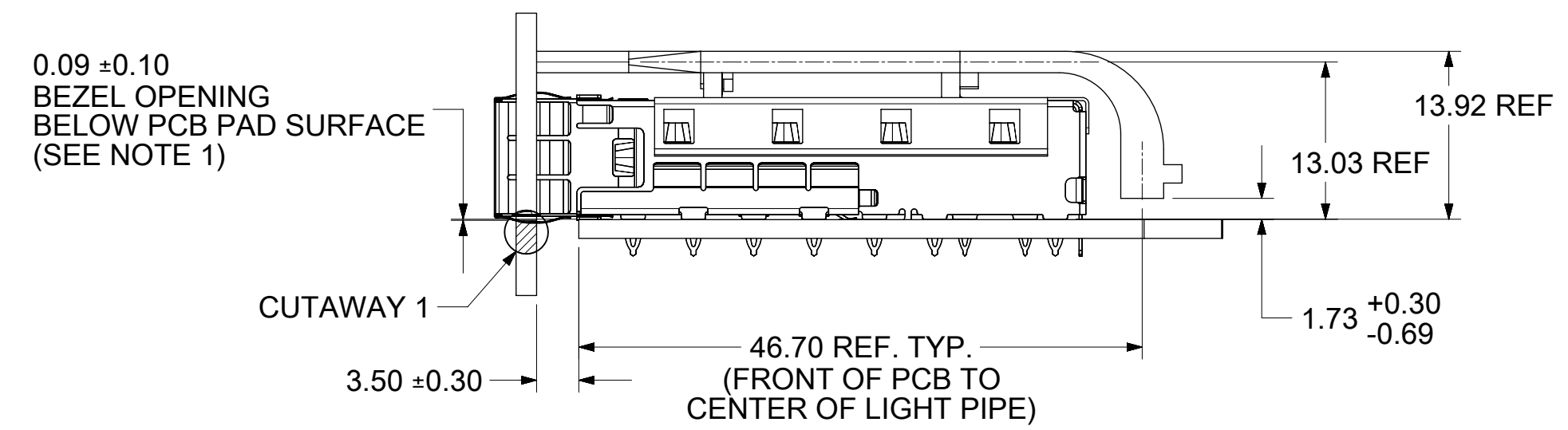
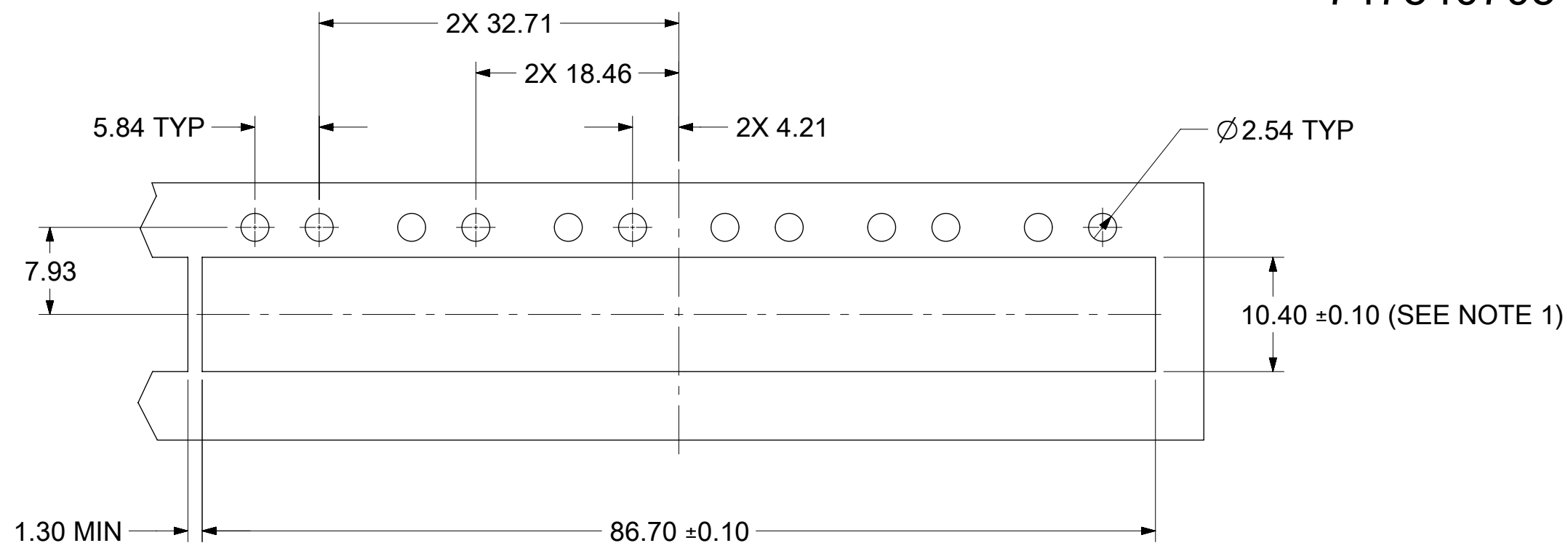


- NOTES:
- PADS AND VIAS CONNECT TO CHASSIS GROUND (RECOMMEND PADS TO BE 2.00mm SQUARE)
 - RECOMMENDED THRU HOLE PLATING INCLUDES HASL, OSP, OR IMMERSION (GOLD, SILVER, OR TIN).
 - CONNECTOR PAD LAYOUT PER SFP+ MSA WILL ACCOMMODATE MOLEX CONNECTOR SERIES 74441 OR EQUIVALENT.
 - HOLE PATTERN REPEATS FOR EACH PORT. SPACING BETWEEN PORTS IS 14.25mm.
 - 3.00 MINIMUM PCB THICKNESS FOR BELLY TO BELLY USE.

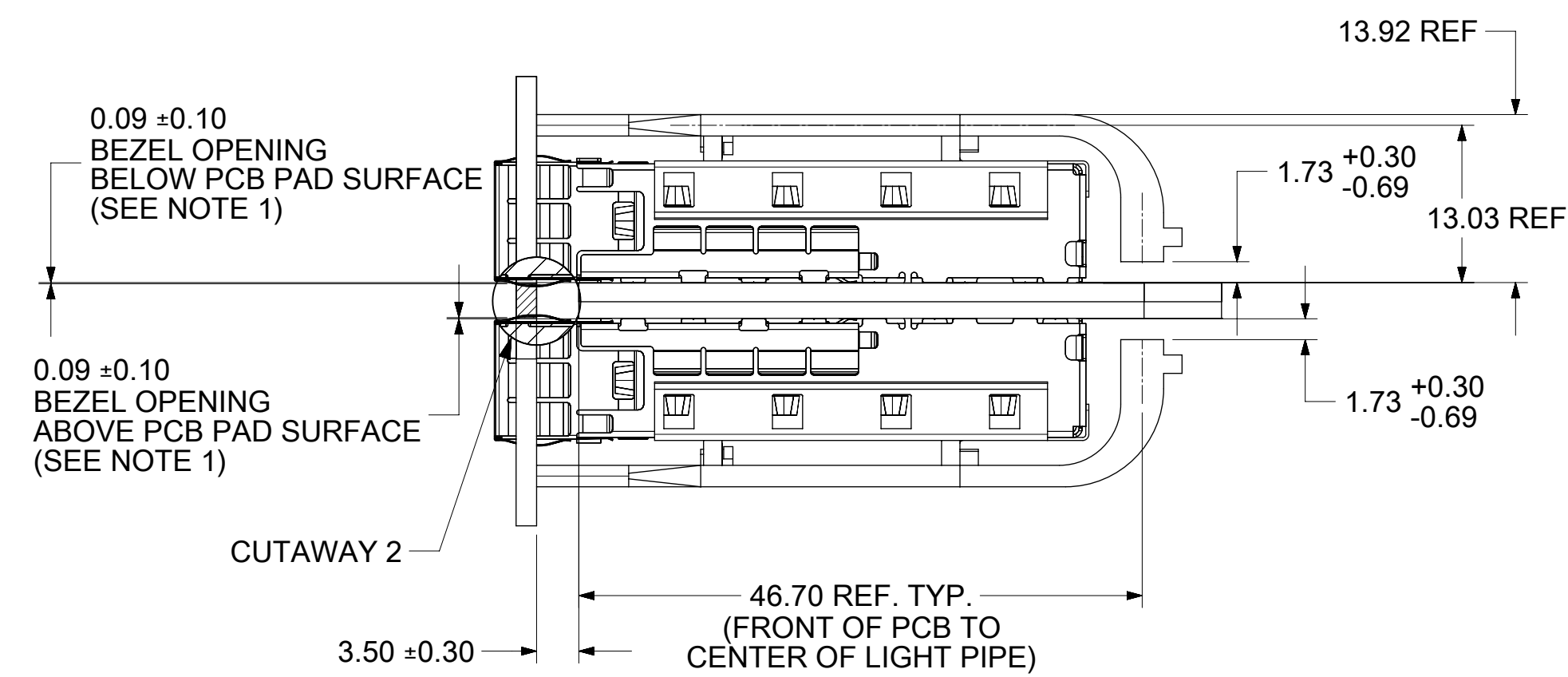
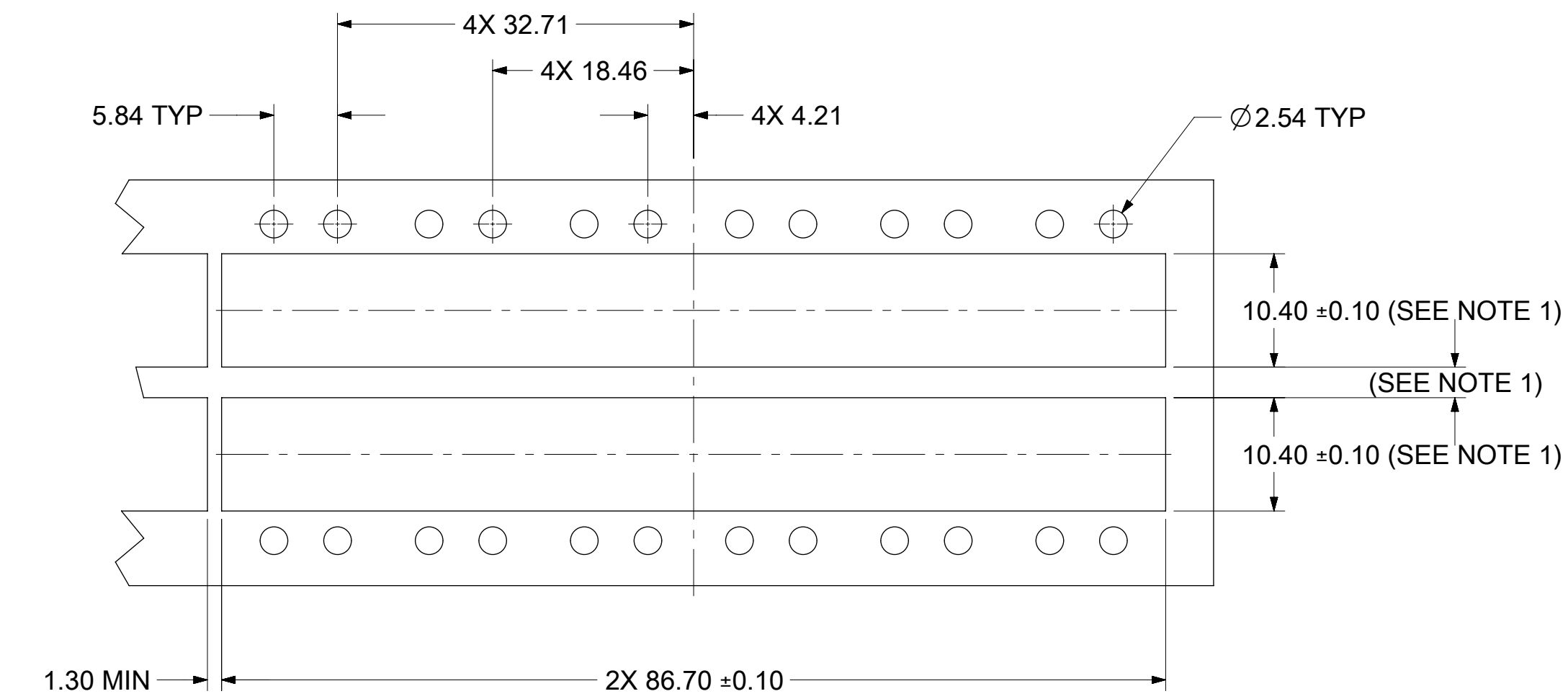
FUNCTIONAL SYMBOLS		THIS DRAWING CONTAINS INFORMATION THAT IS PROPRIETARY TO MOLEX ELECTRONIC TECHNOLOGIES, LLC AND SHOULD NOT BE USED WITHOUT WRITTEN PERMISSION		CURRENT REV DESC: SEE REVISION TABLE		molex	
$\nabla_A = 0$	DIMENSION UNITS	SCALE	EC NO: 706896				
$\nabla_C = 0$	mm	3:1	DRWN: PKH 2022/04/06			PRODUCT CUSTOMER DRAWING	
$\nabla_P = 0$	GENERAL TOLERANCES (UNLESS SPECIFIED)		CHK'D: TKUMARKC 2022/05/19			DOCUMENT NUMBER	
ANGULAR TOL \pm		$^\circ$	APPR: SCHIEN 2022/05/26			747548716	
DIVISIONAL SYMBOLS		4 PLACES \pm		INITIAL REVISION:		DOC TYPE DOC PART REVISION	
3 PLACES \pm		2 PLACES \pm		DRWN: PKH 2022/04/06		PSD ASY A	
1 PLACE \pm		0 PLACES \pm		APPR: SCHIEN 2022/05/26		SHEET NUMBER	
DRAFT WHERE APPLICABLE MUST REMAIN WITHIN DIMENSIONS		THIRD ANGLE PROJECTION		DRAWING SERIES		MATERIAL NUMBER CUSTOMER SHEET NUMBER	
				C-SIZE 74754		SEE SHEET 2 4 OF 6	

DOCUMENT STATUS	P1	RELEASE DATE	2022/05/26 08:01:46
-----------------	----	--------------	---------------------

BEZEL AND BOARD POSITION DIMENSIONS FOR SINGLE SIDED MOUNTING (SPRING FINGER) 747540705 SHOWN



BEZEL AND BOARD POSITION DIMENSIONS FOR BELLY TO BELLY MOUNTING (SPRING FINGER) 747540705 SHOWN



NOTES:

1. PCB THICKNESS VARIATION MUST BE CONSIDERED WHEN DETERMINING BEZEL OPENING, SIZE, AND LOCATION.

FUNCTIONAL SYMBOLS $\nabla_A = 0$ $\nabla_C = 0$ $\nabla_P = 0$	THIS DRAWING CONTAINS INFORMATION THAT IS PROPRIETARY TO MOLEX ELECTRONIC TECHNOLOGIES, LLC AND SHOULD NOT BE USED WITHOUT WRITTEN PERMISSION		
	DIMENSION UNITS	SCALE	CURRENT REV DESC: SEE REVISION TABLE
	mm	2:1	
	GENERAL TOLERANCES (UNLESS SPECIFIED)		
ANGULAR TOL ± °			
4 PLACES ±			
3 PLACES ±			
2 PLACES ±			
1 PLACE ±			
0 PLACES ±			
DRAFT WHERE APPLICABLE MUST REMAIN WITHIN DIMENSIONS			
THIRD ANGLE PROJECTION		DRAWING	SERIES
		C-SIZE	74754
EC NO: 706896		DRWN: PKH	2022/04/06
CHK'D: TKUMARKC		APPR: SCHIEN	2022/05/26
INITIAL REVISION:		DRWN: PKH	2022/04/06
		APPR: SCHIEN	2022/05/26
DOCUMENT NUMBER		DOC TYPE	DOC PART
747548716		PSD	ASY
MATERIAL NUMBER		CUSTOMER	SHEET NUMBER
SEE SHEET 2			5 OF 6

REV	DATE	DESCRIPTION
A	2022/05/19	INITAL RELEASE

FUNCTIONAL SYMBOLS	THIS DRAWING CONTAINS INFORMATION THAT IS PROPRIETARY TO MOLEX ELECTRONIC TECHNOLOGIES, LLC AND SHOULD NOT BE USED WITHOUT WRITTEN PERMISSION										
	DIMENSION UNITS	SCALE	CURRENT REV DESC: SEE REVISION TABLE							molex	
$\frac{F}{A} = 0$	mm	1:1	EC NO: 706896								
$\frac{F}{C} = 0$	GENERAL TOLERANCES (UNLESS SPECIFIED)		DRWN: PKH 2022/04/06							PRODUCT CUSTOMER DRAWING	
$\frac{F}{P} = 0$	ANGULAR TOL	± °	CHK'D: TKUMARKC 2022/05/19							DOCUMENT NUMBER	
DIVISIONAL SYMBOLS	4 PLACES	±	APPR: SCHIEN 2022/05/26							747548716	
	3 PLACES	±	INITIAL REVISION:							DOC TYPE	
	2 PLACES	±	DRWN: PKH 2022/04/06							PSD	
	1 PLACE	±	APPR: SCHIEN 2022/05/26							ASY	
0 PLACES	±	DRAFT WHERE APPLICABLE MUST REMAIN WITHIN DIMENSIONS							REVISION		
THIRD ANGLE PROJECTION		DRAWING		SERIES		MATERIAL NUMBER		CUSTOMER		SHEET NUMBER	
		C-SIZE		74754		SEE SHEET 2				6 OF 6	

DOCUMENT STATUS	P1	RELEASE DATE	2022/05/26 08:01:46
-----------------	----	--------------	---------------------