

EK Series

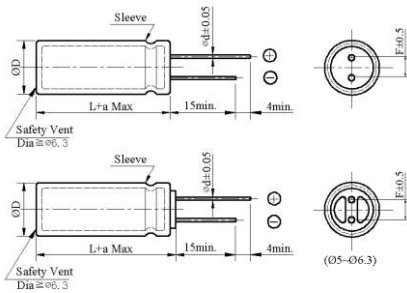
- Miniaturized, Low ESR and Low impedance
- Suitable for use in high ripple current capability



SPECIFICATIONS

Item	Performance Characteristics																				
Category Temperature Range	-40 ~ +105°C																				
Working Voltage Range	6.3 ~ 50Vdc																				
Capacitance Range	0.10 ~ 6,800 μF																				
Capacitance Tolerance	±20% (at 25°C and 120Hz)																				
Dissipation Factor (tanδ) (at 25°C, 120Hz)	<table border="1"> <tr> <td>Rated Voltage (V)</td> <td>6.3</td> <td>10</td> <td>16</td> <td>25</td> <td>35</td> <td>50</td> </tr> <tr> <td>tanδ(Max)</td> <td>0.22</td> <td>0.19</td> <td>0.16</td> <td>0.14</td> <td>0.12</td> <td>0.10</td> </tr> </table>	Rated Voltage (V)	6.3	10	16	25	35	50	tanδ(Max)	0.22	0.19	0.16	0.14	0.12	0.10						
	Rated Voltage (V)	6.3	10	16	25	35	50														
tanδ(Max)	0.22	0.19	0.16	0.14	0.12	0.10															
The above values should be increased by 0.02 for every additional 1000μF																					
Leakage Current	I=0.03CV or 3μA whichever is greater I : Leakage current (μA) C : Rated capacitance (μF) V : Rated voltage (V) Impress the rated voltage for 2 minutes																				
Low Temperature Characteristics Impedance Ratio(MAX)	<table border="1"> <tr> <td>Rated voltage (V)</td> <td>6.3</td> <td>10</td> <td>16</td> <td>25</td> <td>35</td> <td>50</td> </tr> <tr> <td>Z(-40°C)/Z(+20°C)</td> <td>8</td> <td>6</td> <td>6</td> <td>5</td> <td>4</td> <td>3</td> </tr> </table> <p style="text-align: right;">(at 120Hz)</p>	Rated voltage (V)	6.3	10	16	25	35	50	Z(-40°C)/Z(+20°C)	8	6	6	5	4	3						
Rated voltage (V)	6.3	10	16	25	35	50															
Z(-40°C)/Z(+20°C)	8	6	6	5	4	3															
Endurance	<p>The following specifications shall be satisfied when the capacitors are restored to 25°C after subjected to DC voltage with the rated ripple current is applied for 2,000~5,000 hours at 105°C</p> <table border="1"> <tr> <td>Capacitance change</td> <td>≅ ±25% of the initial value</td> <td>Size</td> <td>Life time (hours)</td> </tr> <tr> <td>Dissipation factor(tanδ)</td> <td>≅ 200% of the specified value</td> <td>≅ 6.3Φ</td> <td>2,000</td> </tr> <tr> <td>Leakage current</td> <td>≅ specified value</td> <td>= 8 Φ</td> <td>3,000</td> </tr> <tr> <td></td> <td></td> <td>= 10Φ</td> <td>4,000</td> </tr> <tr> <td></td> <td></td> <td>≅ 12.5Φ</td> <td>5,000</td> </tr> </table>	Capacitance change	≅ ±25% of the initial value	Size	Life time (hours)	Dissipation factor(tanδ)	≅ 200% of the specified value	≅ 6.3Φ	2,000	Leakage current	≅ specified value	= 8 Φ	3,000			= 10Φ	4,000			≅ 12.5Φ	5,000
	Capacitance change	≅ ±25% of the initial value	Size	Life time (hours)																	
Dissipation factor(tanδ)	≅ 200% of the specified value	≅ 6.3Φ	2,000																		
Leakage current	≅ specified value	= 8 Φ	3,000																		
		= 10Φ	4,000																		
		≅ 12.5Φ	5,000																		
Shelf Life	<p>The following requirements shall be satisfied when the capacitor are restored to 25°C after exposing them for 500 hours at 105°C without voltage applied.</p> <table border="1"> <tr> <td>Capacitance change</td> <td>≅ ±25% of the initial value</td> </tr> <tr> <td>Dissipation factor(tanδ)</td> <td>≅ 200% of the specified value</td> </tr> <tr> <td>Leakage current</td> <td>≅ 200% of the specified value</td> </tr> </table>	Capacitance change	≅ ±25% of the initial value	Dissipation factor(tanδ)	≅ 200% of the specified value	Leakage current	≅ 200% of the specified value														
	Capacitance change	≅ ±25% of the initial value																			
Dissipation factor(tanδ)	≅ 200% of the specified value																				
Leakage current	≅ 200% of the specified value																				
Others	Conforms to JIS-C-5101-4 (1998), characteristic W																				

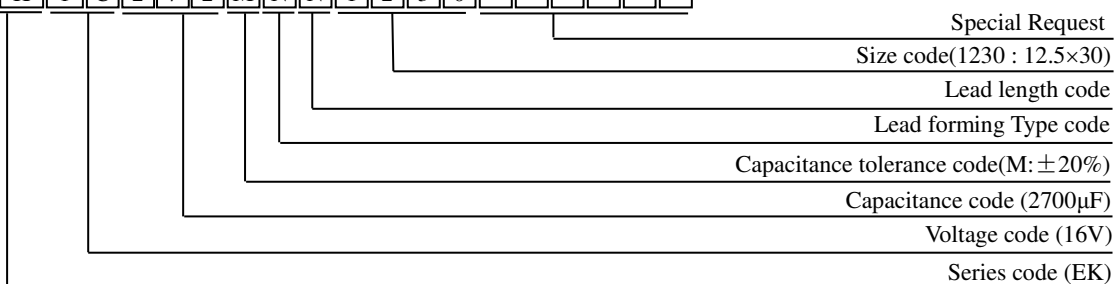
DIMENSIONS (mm)



ΦD	5	6.3	8	10	12.5	16
ΦD	ΦD + 0.5 Max					
Φd	0.5	0.5	0.6	0.6	0.6	0.8
F	2.0	2.5	3.5	5.0	5.0	7.5
a	L + 1.5 Max				≅ 35 L+1.5Max ≅ 40 L+2.0 Max	L + 1.5 Max

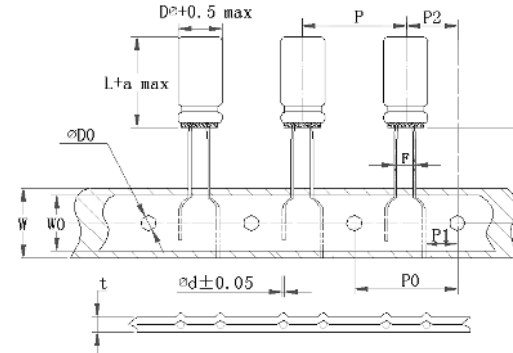
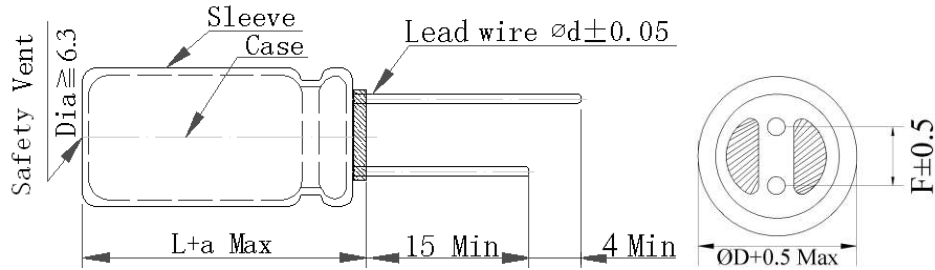
PART NUMBER SYSTEM (Example : 16V 2700μF)

E K 1 C 2 7 2 M N N 1 2 3 0



Aluminum Electrolytic Capacitor

Customer	Digi-Key	SERIES	EK	NO.:	PUBLISH DATE	2022-03-25
-----------------	-----------------	---------------	-----------	-------------	---------------------	-------------------



Unit (mm):

P=12.7±1.0

H=18.5±0.5

P0=12.7±0.2

P1=3.85±0.5

P2=6.35±1.0

W =18.0±0.5

F=2.5+0.8/-0.2

W0=12.5MIN

ΦD0=4.0±0.2

t=0.7±0.2

Original

FIG-1

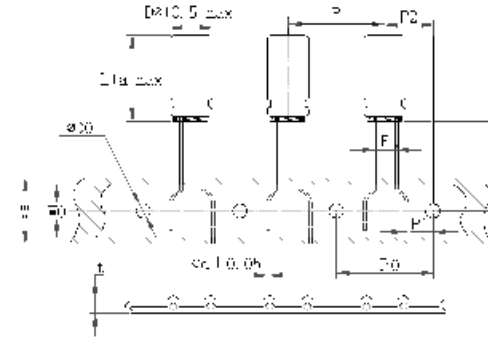
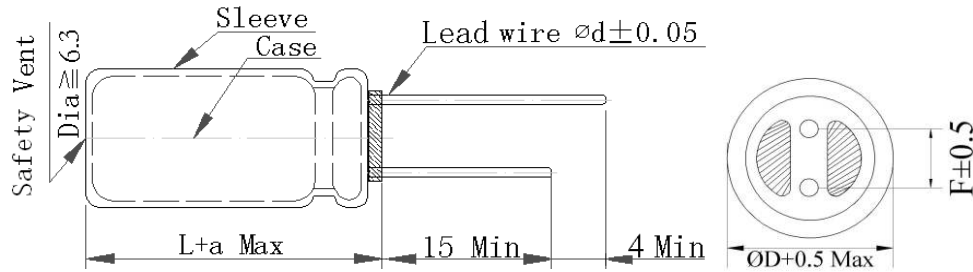
No.	CHINSAN Part No.	Customer Part No.	Capacitance (uF)	Tolerance On rated Capacitance (%)	Working Voltage (Vdc)	Surge Voltage (Vdc)	Category Temp Range (°C)	Tanδ @ 25°C (120Hz) (Max)	Leakage Current (uA) (2 min.)	Rated Ripple Current (mA rms) @ 105°C 100kHz	ESR @25°C (mΩ max/ 120Hz)	Impedance @20°C (mΩ max/ 100kHz)	Endurance @ 105°C (Hours)	Dimensions (mm)					Appearance Drawing No
														D Φ	L	a	d	F	
1	EK1A221MP20511U	/	220 μF	±20%	10 V	/	-40~+105	/	/	360	/	21	2000	5	11	/	/	2.5	FIG-1
2	EK1C101MP20511U	/	100 μF	±20%	16 V	/	-40~+105	/	/	320	/	800	2000	5	11	/	/	2.5	FIG-1
3	EK1H100MNN0511U	/	10 μF	±20%	50 V	/	-40~+105	/	/	180	/	900	2000	5	11	/	/	2	Original
4	EK1H010MP20511EU	/	1 μF	±20%	50 V	/	-40~+105	/	/	40	/	3500	2000	5	11	/	/	2.5	FIG-1
5	EK1H3R3MP20511U	/	3.3 μF	±20%	50 V	/	-40~+105	/	/	140	/	2500	2000	5	11	/	/	2.5	FIG-1

※Test leakage current before testing dissipation factor and capacitance during the electric characteristic test.

REMARKS:	APPROVED BY	CHECKED BY	PREPARED BY
1.Sleeve Color: Brown. 2. Suffix U indicates convex rubber cover.	张洪斌	曾爱娥	梁慧妍

Aluminum Electrolytic Capacitor

Customer	Digi-Key	SERIES	EK	NO.:	PUBLISH DATE	2022-03-25
-----------------	-----------------	---------------	-----------	-------------	---------------------	-------------------



Unit (mm):

P=12.7±1.0	H=18.5±0.5
P0=12.7±0.2	P1=3.85±0.5
P2=6.35±1.0	W =18.0±0.5
F=2.5+0.8 /-0.2	W0=12.5MIN
Φ D0=4.0±0.2	t=0.7±0.2

Original

FIG-1

No.	CHINSAN Part No.	Customer Part No.	Capacitance (uF)	Tolerance On rated Capacitance (%)	Working Voltage (Vdc)	Surge Voltage (Vdc)	Category Temp Range (°C)	Tanδ @ 25°C (120Hz) (Max)	Leakage Current (uA) (2 min.)	Rated Ripple Current (mA rms) @ 105°C 100kHz	ESR @25°C (mΩ max/ 120Hz)	Impedance @20°C (mΩ max/ 100kHz)	Endurance @ 105°C (Hours)	Dimensions (mm)					Appearance Drawing No
														DΦ	L	a	d	F	
1	EK0J331MP26311EU	/	330 μF	±20%	6.3 V	/	-40~+105	/	/	405	/	130	2000	6.3	11	/	/	2.5	FIG-1

※Test leakage current before testing dissipation factor and capacitance during the electric characteristic test.

REMARKS:

- 1.Sleeve Color: Brown.
2. Suffix U indicates convex rubber cover.

APPROVED BY

张洪斌

CHECKED BY

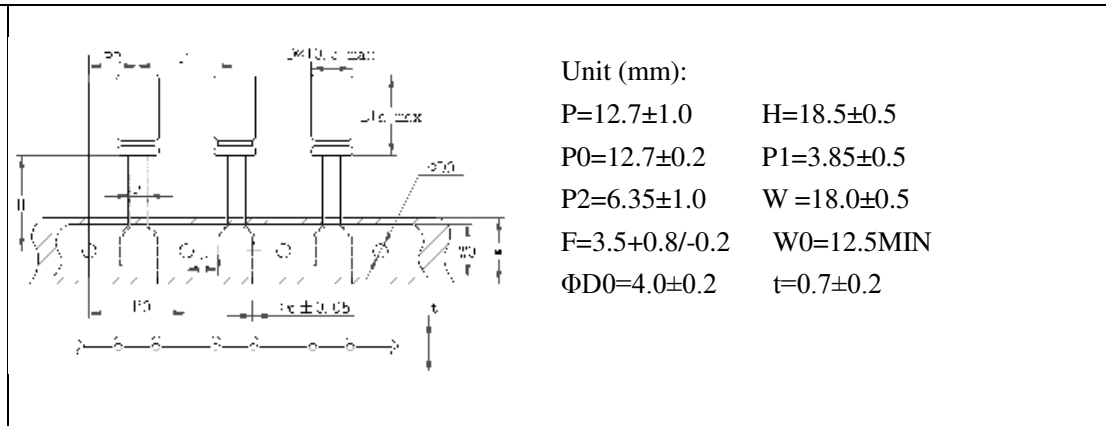
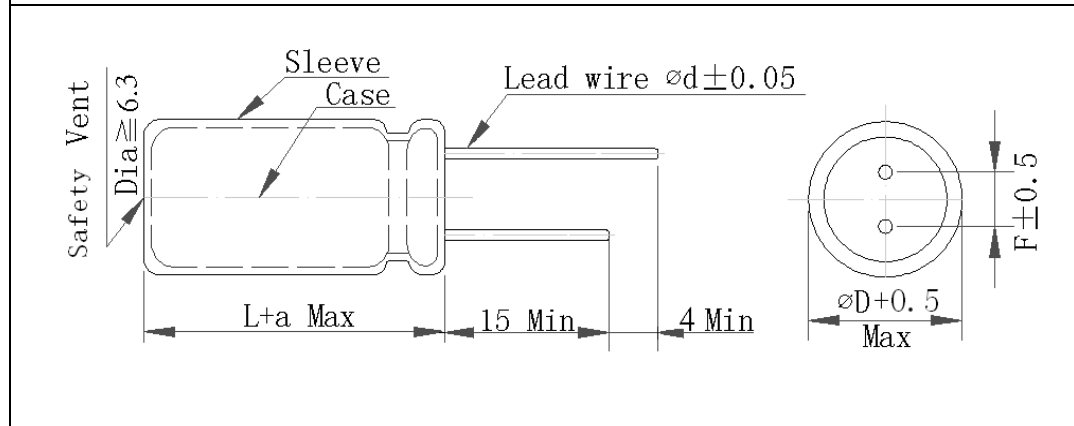
曾爱娥

PREPARED BY

梁慧妍

Aluminum Electrolytic Capacitor

Customer	Digi-Key	SERIES	EK	NO.:	PUBLISH DATE	2022-03-25
-----------------	-----------------	---------------	-----------	-------------	---------------------	-------------------



Original										FIG-1									
-----------------	--	--	--	--	--	--	--	--	--	--------------	--	--	--	--	--	--	--	--	--

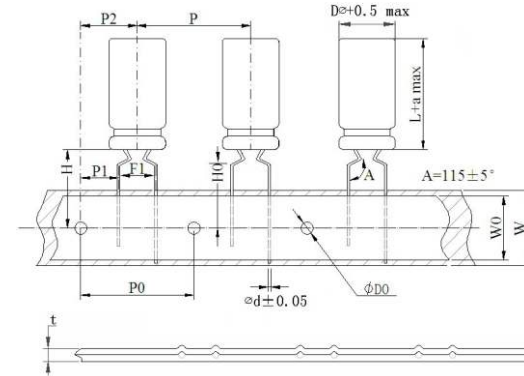
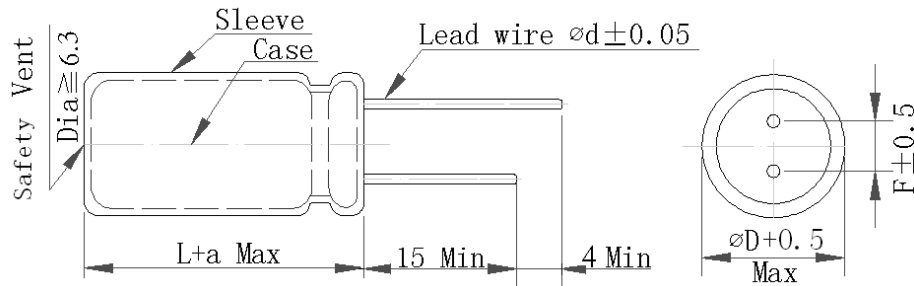
No.	CHINSAN Part No.	Customer Part No.	Capacitance (uF)	Tolerance On rated Capacitance (%)	Working Voltage (Vdc)	Surge Voltage (Vdc)	Category Temp Range (°C)	Tanδ @ 25°C (120Hz) (Max)	Leakage Current (uA) (2 min.)	Rated Ripple Current (mA rms) @ 105°C 100kHz	ESR @25°C (mΩ max/ 120Hz)	Impedance @20°C (mΩ max/ 100kHz)	Endurance @ 105°C (Hours)	Dimensions (mm)					Appearance Drawing No
														DΦ	L	a	d	F	
1	EK0J222MP30820E	/	2200 μF	±20%	6.3 V	/	-40~+105	/	/	1440	/	22	3000	8	20	/	/	3.5	FIG-1
2	EK1C221MNN08B5	/	220 μF	±20%	16 V	/	-40~+105	/	/	760	1100	90	3000	8	11.5	/	/	3.5	Original
3	EK1C471MP30812	/	470 μF	±20%	16 V	/	-40~+105	/	/	1200	/	60	3000	8	12	/	/	3.5	FIG-1
4	EK1H101MP30812	/	100 μF	±20%	50 V	/	-40~+105	/	/	850	/	210	3000	8	12	/	/	3.5	FIG-1

※Test leakage current before testing dissipation factor and capacitance during the electric characteristic test.

REMARKS:	APPROVED BY	CHECKED BY	PREPARED BY
1.Sleeve Color: Brown. 2. Suffix U indicates convex rubber cover.	张洪斌	曾爱娥	梁慧妍

Aluminum Electrolytic Capacitor

Customer	Digi-Key	SERIES	EK	NO.:	PUBLISH DATE	2022-03-25
-----------------	-----------------	---------------	-----------	-------------	---------------------	-------------------



Unit(mm):

P=12.7±1.0	H0=16.0±0.5
P0=12.7±0.2	W =18.0±0.5
P1=3.85±0.5	W0=12.5MIN
P2=6.35±1.0	ΦD0=4.0±0.2
F1=5.0+0.8/-0.2	H=18.5±0.5
t=0.7±0.2	

Original

FIG-1

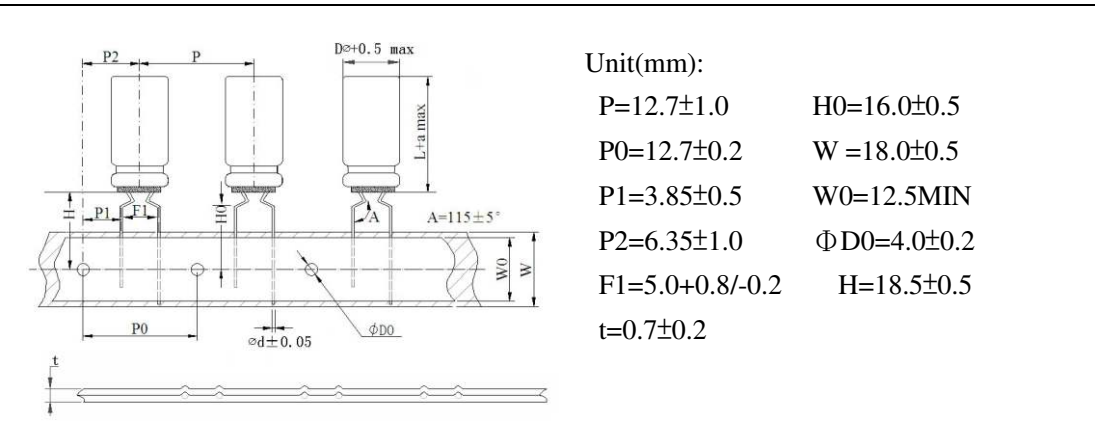
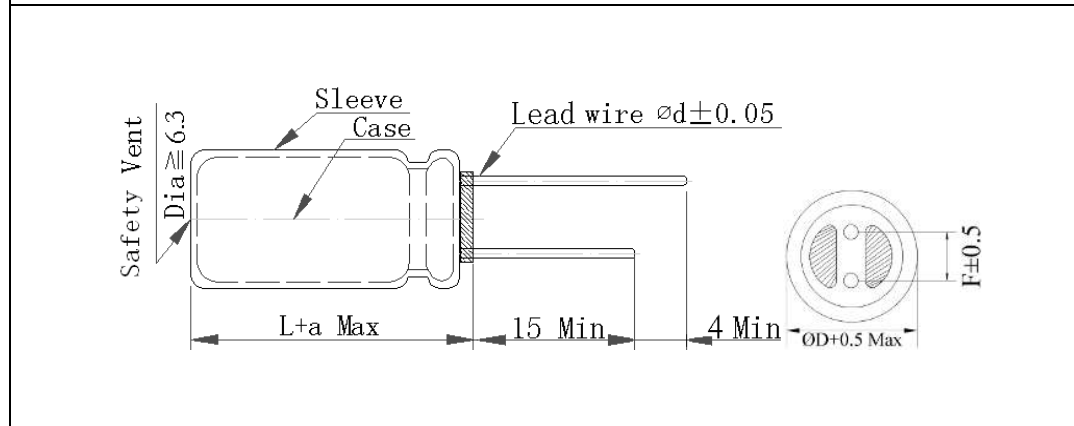
No.	CHINSAN Part No.	Customer Part No.	Capacitance (uF)	Tolerance On rated Capacitance (%)	Working Voltage (Vdc)	Surge Voltage (Vdc)	Category Temp Range (°C)	Tanδ @ 25°C (120Hz) (Max)	Leakage Current (uA) (2 min.)	Rated Ripple Current (mA rms) @ 105°C 100kHz	ESR @25°C (mΩ max/ 120Hz)	Impedance @20°C (mΩ max/ 100kHz)	Endurance @ 105°C (Hours)	Dimensions (mm)					Appearance Drawing No
														DΦ	L	a	d	F1	
1	EK1A471MP508B5E	/	470 μF	±20%	10 V	/	-40~+105	/	/	990	/	72	3000	8	11.5	/	/	5	FIG-1

※Test leakage current before testing dissipation factor and capacitance during the electric characteristic test.

REMARKS:	APPROVED BY	CHECKED BY	PREPARED BY
Sleeve Color: Brown.	张洪斌	曾爱娥	梁慧妍

Aluminum Electrolytic Capacitor

Customer	Digi-Key	SERIES	EK	NO.:	PUBLISH DATE	2022-03-25
-----------------	-----------------	---------------	-----------	-------------	---------------------	-------------------



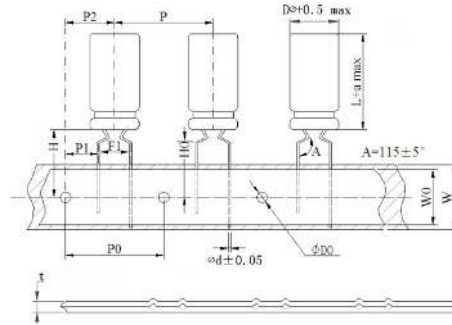
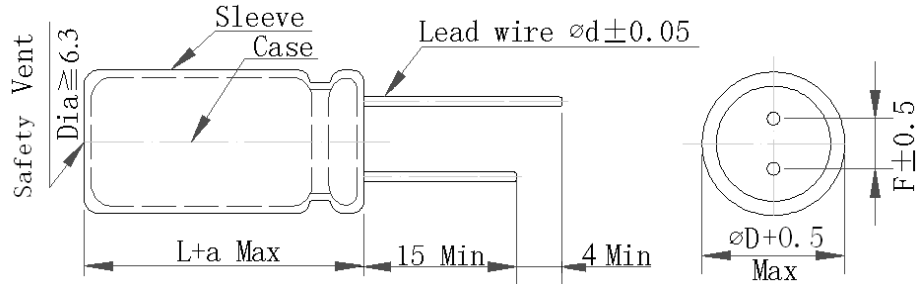
Original **FIG-1**

No.	CHINSAN Part No.	Customer Part No.	Capacitance (uF)	Tolerance On rated Capacitance (%)	Working Voltage (Vdc)	Surge Voltage (Vdc)	Category Temp Range (°C)	Tanδ @ 25°C (120Hz) (Max)	Leakage Current (uA) (2 min.)	Rated Ripple Current (mA rms) @ 105°C 100kHz	ESR @25°C (mΩ max/ 120Hz)	Impedance @20°C (mΩ max/ 100kHz)	Endurance @ 105°C (Hours)	Dimensions (mm)					Appearance Drawing No
														D Φ	L	a	d	F1	
1	EK1A102MP50816EU	/	1000 μF	±20%	10 V	/	-40~+105	/	/	1490	/	32	3000	8	16	/	/	5	FIG-1

※Test leakage current before testing dissipation factor and capacitance during the electric characteristic test.

REMARKS:	APPROVED BY	CHECKED BY	PREPARED BY
1.Sleeve Color: Brown. 2. Suffix U indicates convex rubber cover.	张洪斌	曾爱娥	梁慧妍

Customer	Digi-Key	SERIES	EK	NO.:	PUBLISH DATE	2022-03-25
-----------------	-----------------	---------------	-----------	-------------	---------------------	-------------------



Unit(mm):

$P=12.7 \pm 1.0$	$H0=16.0 \pm 0.5$
$P0=12.7 \pm 0.2$	$W=18.0 \pm 0.5$
$P1=3.85 \pm 0.5$	$W0=12.5 \text{ MIN}$
$P2=6.35 \pm 1.0$	$\phi D0=4.0 \pm 0.2$
$F1=5.0 + 0.8 / - 0.2$	$H=18.5 \pm 0.5$
$t=0.7 \pm 0.2$	

Original

FIG-1

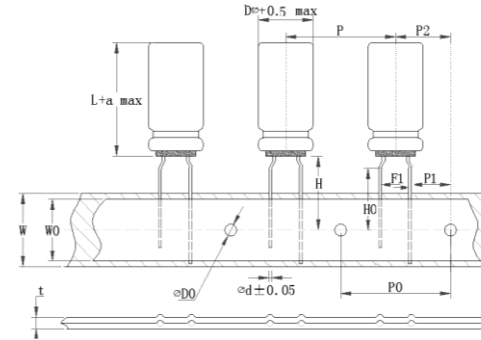
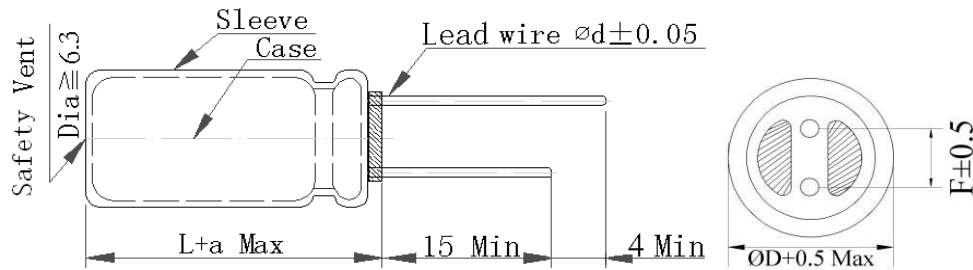
No.	CHINSAN Part No.	Customer Part No.	Capacitance (uF)	Tolerance On rated Capacitance (%)	Working Voltage (Vdc)	Surge Voltage (Vdc)	Category Temp Range (°C)	Tanδ @ 25°C (120Hz) (Max)	Leakage Current (uA) (2 min.)	Rated Ripple Current (mA rms) @ 105°C 100kHz	ESR @25°C (mΩ max/ 120Hz)	Impedance @20°C (mΩ max/ 100kHz)	Endurance @ 105°C (Hours)	Dimensions (mm)					Appearance Drawing No
														Dφ	L	a	d	F1	
1	EK1C102MPN0820E	/	1000 μF	±20%	16 V	/	-40~+105	/	/	1650	/	38	3000	8	20	/	/	5	FIG-1

※Test leakage current before testing dissipation factor and capacitance during the electric characteristic test.

REMARKS:	APPROVED BY	CHECKED BY	PREPARED BY
Sleeve Color: Brown.	张洪斌	曾爱娥	梁慧妍

Aluminum Electrolytic Capacitor

Customer	Digi-Key	SERIES	EK	NO.:	PUBLISH DATE	2022-03-25
-----------------	-----------------	---------------	-----------	-------------	---------------------	-------------------



Unit (mm):

P=12.7±1.0	H0=16.0±0.5
P0=12.7±0.2	W =18.0±0.5
P1=3.85±0.5	W0=12.5MIN
P2=6.35±1.0	ΦD0=4.0±0.2
F1=5.0+0.8/-0.2	t=0.7±0.2
H=18.5±0.5	

Original

FIG-1

No.	CHINSAN Part No.	Customer Part No.	Capacitance (uF)	Tolerance On rated Capacitance (%)	Working Voltage (Vdc)	Surge Voltage (Vdc)	Category Temp Range (°C)	Tanδ @ 25°C (120Hz) (Max)	Leakage Current (uA) (2 min.)	Rated Ripple Current (mA rms) @ 105°C 100kHz	ESR @25°C (mΩ max/ 120Hz)	Impedance @20°C (mΩ max/ 100kHz)	Endurance @ 105°C (Hours)	Dimensions (mm)					Appearance Drawing No
														DΦ	L	a	d	F1	
1	EK1E221MPN0812U	/	220 μF	±20%	25 V	/	-40~+105	/	/	840	/	72	3000	8	12	/	/	5	FIG-1

※Test leakage current before testing dissipation factor and capacitance during the electric characteristic test.

REMARKS:

- 1.Sleeve Color: Brown.
2. Suffix U indicates convex rubber cover.

APPROVED BY

张洪斌

CHECKED BY

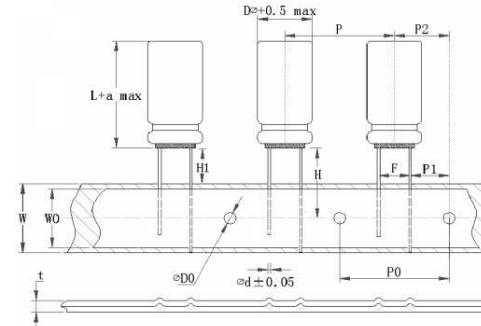
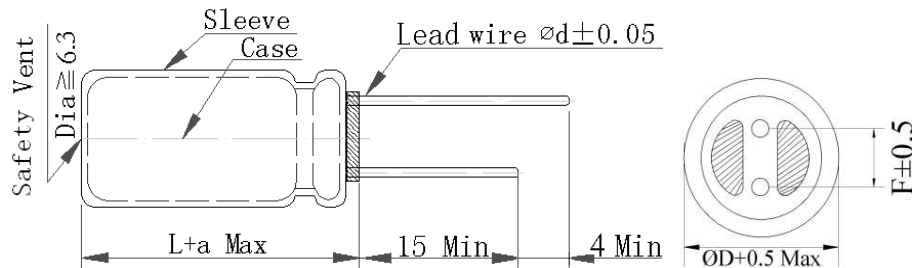
曾爱娥

PREPARED BY

梁慧妍

Aluminum Electrolytic Capacitor

Customer	Digi-Key	SERIES	EK	NO.:	PUBLISH DATE	2022-03-25
----------	----------	--------	----	------	--------------	------------



Unit (mm):

P=12.7±1.0	H=18.5±0.5
P0=12.7±0.2	W =18.0±0.5
P1=3.85±0.5	W0=12.5MIN
P2=6.35±1.0	ΦD0=4.0+0.2
F=5.0+0.8/-0.2	t=0.7±0.2

Original

FIG-1

No.	CHINSAN Part No.	Customer Part No.	Capacitance (uF)	Tolerance On rated Capacitance (%)	Working Voltage (Vdc)	Surge Voltage (Vdc)	Category Temp Range (°C)	Tanδ @ 25°C (120Hz) (Max)	Leakage Current (uA) (2 min.)	Rated Ripple Current (mA rms) @ 105°C 100kHz	ESR @25°C (mΩ max/ 120Hz)	Impedance @20°C (mΩ max/ 100kHz)	Endurance @ 105°C (Hours)	Dimensions (mm)					Appearance Drawing No
														DΦ	L	a	d	F	
1	EK1C222MP51025EU	/	2200 μF	±20%	16 V	/	-40~+105	/	/	2620	97	26	4000	10	25	/	/	5	FIG-1
2	EK1C681MP51012U	/	680 μF	±20%	16 V	/	-40~+105	/	/	1300	/	/	4000	10	12	/	/	5	FIG-1
3	EK1V331MP51012U	/	330 μF	±20%	35 V	/	-40~+105	/	/	1350	/	60	4000	10	12	/	/	5	FIG-1
4	EK1V471MP51016EU	/	470 μF	±20%	35 V	/	-40~+105	/	/	1650	/	30	4000	10	16	/	/	5	FIG-1

*Test leakage current before testing dissipation factor and capacitance during the electric characteristic test.

REMARKS:

- 1.Sleeve Color: Brown.
2. Suffix U indicates convex rubber cover.

APPROVED BY

张洪斌

CHECKED BY

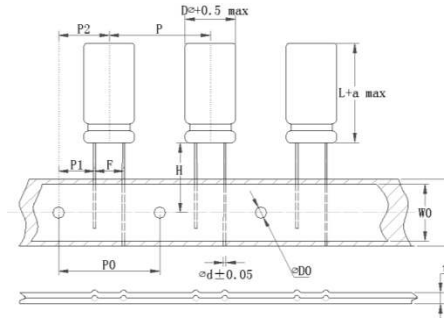
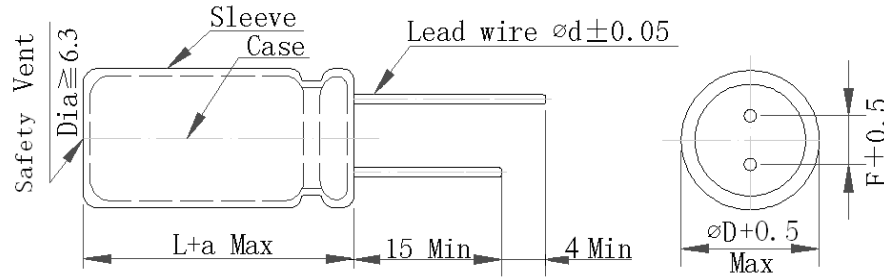
曾爱娥

PREPARED BY

梁慧妍

Aluminum Electrolytic Capacitor

Customer	Digi-Key	SERIES	EK	NO.:	PUBLISH DATE	2022-03-25
----------	----------	--------	----	------	--------------	------------



Unit(mm):

P=12.7±1.0 H=18.5±0.5
P0=12.7±0.2 W=18.0±0.5
P1=3.85±0.5 W0=12.5MIN
P2=6.35±1.0 ΦD0=4.0±0.2
F=5.0+0.8/-0.2 t=0.7±0.2

Original

FIG-1

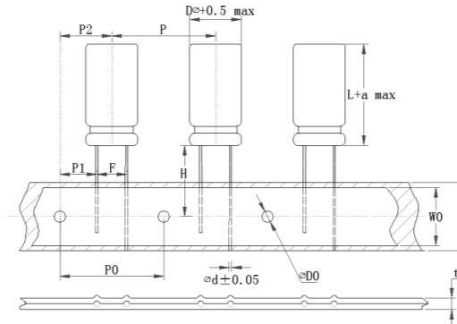
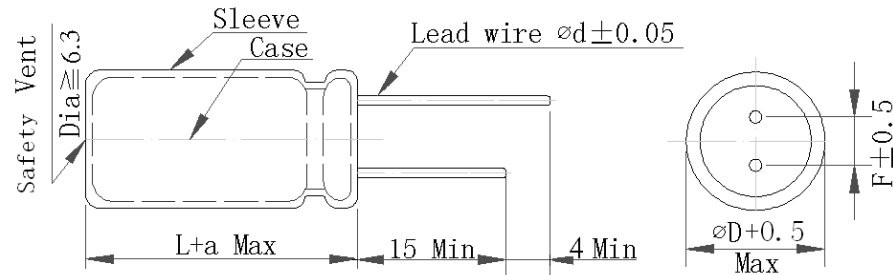
No.	CHINSAN Part No.	Customer Part No.	Capacitance (uF)	Tolerance On rated Capacitance (%)	Working Voltage (Vdc)	Surge Voltage (Vdc)	Category Temp Range (°C)	Tanδ @ 25°C (120Hz) (Max)	Leakage Current (uA) (2 min.)	Rated Ripple Current (mA rms) @ 105°C 100kHz	ESR @25°C (mΩ max/ 120Hz)	Impedance @20°C (mΩ max/ 100kHz)	Endurance @ 105°C (Hours)	Dimensions (mm)					Appearance Drawing No
														DΦ	L	a	d	F	
1	EK1C102MP51016R	/	1000 μF	±20%	16 V	/	-40~+105	/	/	1820	/	40	4000	10	16	/	/	5	FIG-1
2	EK1E102MNN1020	/	1000 μF	±20%	25 V	/	-40~+105	/	/	2250	/	400	4000	10	20	/	/	5	Original
3	EK1E681MNN1016	/	680 μF	±20%	25 V	/	-40~+105	/	/	1750	/	28	4000	10	16	/	/	5	Original
4	EK1V561MNN1025	/	560 μF	±20%	35 V	/	-40~+105	/	/	2150	/	40	4000	10	25	/	/	5	Original
5	EK1H151MNN1013	/	150 μF	±20%	50 V	/	-40~+105	/	/	979	/	61	4000	10	13	/	/	5	Original
6	EK1H331MP51016	/	330 μF	±20%	50 V	/	-40~+105	/	/	1400	/	150	4000	10	16	/	/	5	FIG-1

※Test leakage current before testing dissipation factor and capacitance during the electric characteristic test.

REMARKS:	APPROVED BY	CHECKED BY	PREPARED BY
Sleeve Color: Brown.	张洪斌	曾爱娥	梁慧妍

Aluminum Electrolytic Capacitor

Customer	Digi-Key	SERIES	EK	NO.:	PUBLISH DATE	2022-03-25
----------	----------	--------	----	------	--------------	------------



Unit (mm)

P=12.7±1.0	H=18.5±0.5
P0=12.7±0.2	W =18.0±0.5
P1=3.85±0.5	W0=12.5MIN
P2=6.35±1.0	ΦD0=4.0+0.2
F=5.0+0.8/-0.2	t=0.7±0.2

Original

FIG-1

No.	CHINSAN Part No.	Customer Part No.	Capacitance (uF)	Tolerance On rated Capacitance (%)	Working Voltage (Vdc)	Surge Voltage (Vdc)	Category Temp Range (°C)	Tanδ @ 25°C (120Hz) (Max)	Leakage Current (uA) (2 min.)	Rated Ripple Current (mA rms) @ 105°C 100kHz	ESR @25°C (mΩ max/ 120Hz)	Impedance @20°C (mΩ max/ 100kHz)	Endurance @ 105°C (Hours)	Dimensions (mm)					Appearance Drawing No
														DΦ	L	a	d	F	
1	EK1C471MPN1013	/	470 μF	±20%	16 V	/	-40~+105	/	/	1030	/	90	4000	10	13	/	/	5	FIG-1

※Test leakage current before testing dissipation factor and capacitance during the electric characteristic test.

REMARKS:

APPROVED BY

CHECKED BY

PREPARED BY

Sleeve Color: Brown.

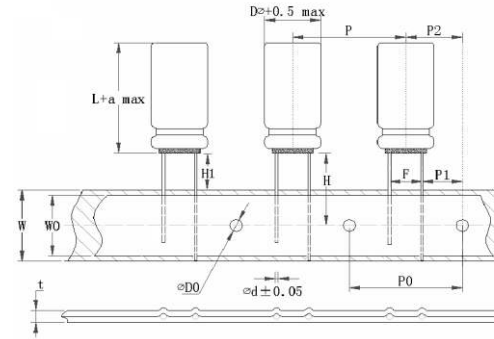
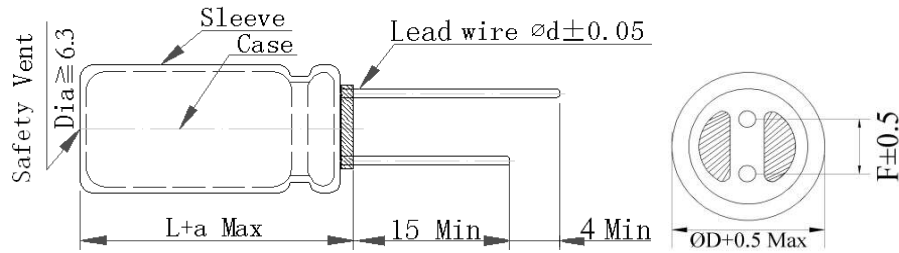
张洪斌

曾爱娥

梁慧妍

Aluminum Electrolytic Capacitor

Customer	Digi-Key	SERIES	EK	NO.:	PUBLISH DATE	2022-03-25
----------	----------	--------	----	------	--------------	------------



Unit (mm):

P=12.7±1.0	H=18.5±0.5
P0=12.7±0.2	W=18.0±0.5
P1=3.85±0.5	W0=12.5MIN
P2=6.35±1.0	ΦD0=4.0+0.2
F=5.0+0.8/-0.2	t=0.7±0.2
H1=9.5±1.0	

Original

FIG-1

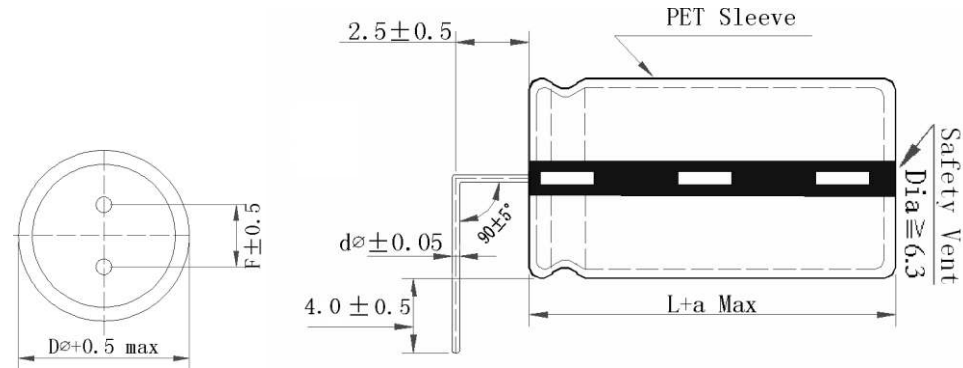
No.	CHINSAN Part No.	Customer Part No.	Capacitance (uF)	Tolerance On rated Capacitance (%)	Working Voltage (Vdc)	Surge Voltage (Vdc)	Category Temp Range (°C)	Tanδ @ 25°C (120Hz) (Max)	Leakage Current (uA) (2 min.)	Rated Ripple Current (mA rms) @ 105°C 100kHz	ESR @25°C (mΩ max/ 120Hz)	Impedance @20°C (mΩ max/ 100kHz)	Endurance @ 105°C (Hours)	Dimensions (mm)					Appearance Drawing No
														DΦ	L	a	d	F	
1	EK1E471MPN1016U	/	470 μF	±20%	25 V	/	-40~+105	/	/	1430	/	38	4000	10	16	/	/	5	FIG-1
2	EK1V221MPN1013U	/	220 μF	±20%	35 V	/	-40~+105	/	/	1030	/	/	4000	10	13	/	/	5	FIG-1

※Test leakage current before testing dissipation factor and capacitance during the electric characteristic test.

REMARKS:	APPROVED BY	CHECKED BY	PREPARED BY
1.Sleeve Color: Brown. 2.Suffix U indicates convex rubber cover.	张洪斌	曾爱娥	梁慧妍

Aluminum Electrolytic Capacitor

Customer	Digi-Key	SERIES	EK	NO.:	PUBLISH DATE	2022-03-25
-----------------	-----------------	---------------	-----------	-------------	---------------------	-------------------



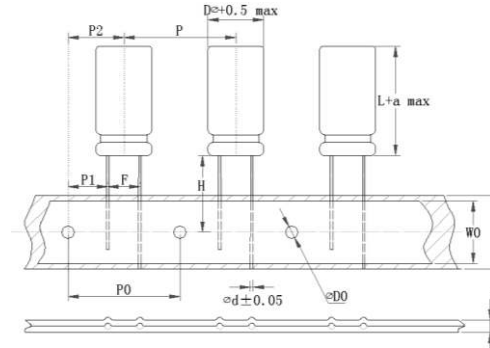
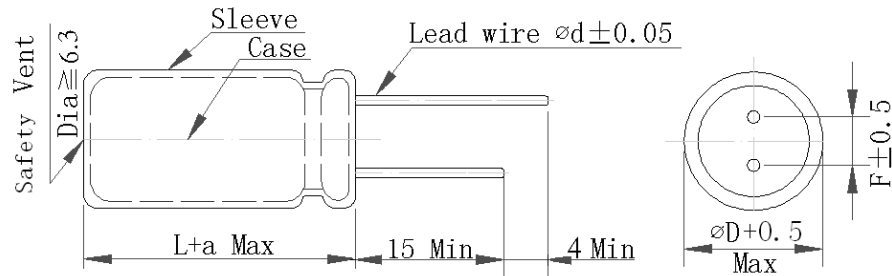
No.	CHINSAN Part No.	Customer Part No.	Capacitance (uF)	Tolerance On rated Capacitance (%)	Working Voltage (Vdc)	Surge Voltage (Vdc)	Category Temp Range (°C)	Tanδ @ 25°C (120Hz) (Max)	Leakage Current (uA) (2 min.)	Rated Ripple Current (mA rms) @ 105°C 100kHz	ESR @25°C (mΩ max/ 120Hz)	Impedance @20°C (mΩ max/ 100kHz)	Endurance @ 105°C (Hours)	Dimensions (mm)					Appearance Drawing No
														DΦ	L	a	d	F	
1	EK1V561MSD1025	/	560 μF	±20%	35 V	/	-40~+105	/	/	2150	/	40	4000	10	25	/	/	5	---
2	EK1H471MSD1020	/	470 μF	±20%	50 V	/	-40~+105	/	/	1980	/	120	4000	10	20	/	/	5	---

※Test leakage current before testing dissipation factor and capacitance during the electric characteristic test.

REMARKS:	APPROVED BY	CHECKED BY	PREPARED BY
Sleeve Color: Brown.	张洪斌	曾爱娥	梁慧妍

Aluminum Electrolytic Capacitor

Customer	Digi-Key	SERIES	EK	NO.:	PUBLISH DATE	2022-03-25
----------	----------	--------	----	------	--------------	------------



Unit(mm):

P=15.0±1.0	H=18.5±0.5
P0=15.0±0.2	W =18.0±0.5
P1=5.0±0.5	W0=12.5MIN
P2=7.5±1.0	ΦD0=4.0±0.2
F=5.0+0.8/-0.2	t=0.7±0.2

Original

FIG-1

No.	CHINSAN Part No.	Customer Part No.	Capacitance (uF)	Tolerance On rated Capacitance (%)	Working Voltage (Vdc)	Surge Voltage (Vdc)	Category Temp Range (°C)	Tanδ @ 25°C (120Hz) (Max)	Leakage Current (uA) (2 min.)	Rated Ripple Current (mA rms) @ 105°C 100kHz	ESR @25°C (mΩ max/ 120Hz)	Impedance @20°C (mΩ max/ 100kHz)	Endurance @ 105°C (Hours)	Dimensions (mm)					Appearance Drawing No
														DΦ	L	a	d	F	
1	EK1V681MP51316E	/	680 μF	±20%	35 V	/	-40~+105	/	/	1900	/	35	5000	13	16	/	/	5	FIG-1

※Test leakage current before testing dissipation factor and capacitance during the electric characteristic test.

REMARKS:	APPROVED BY	CHECKED BY	PREPARED BY
Sleeve Color: Brown.	张洪斌	曾爱娥	梁慧妍