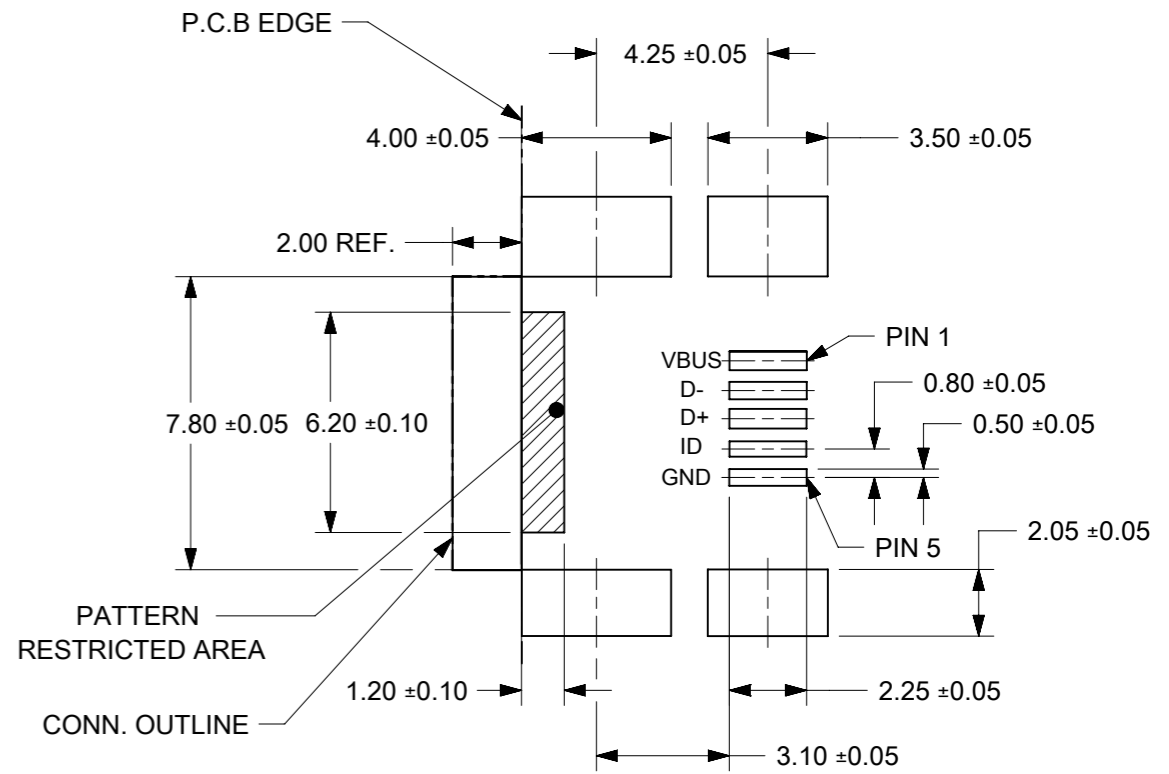
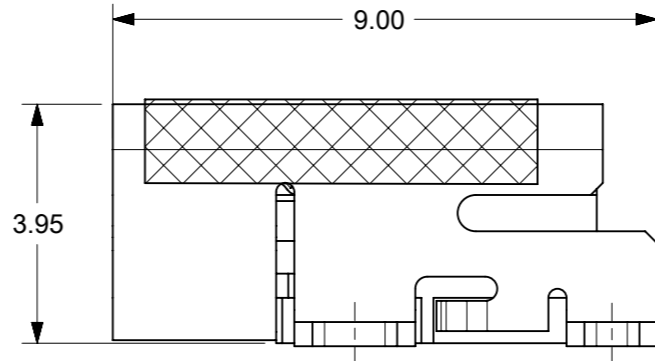
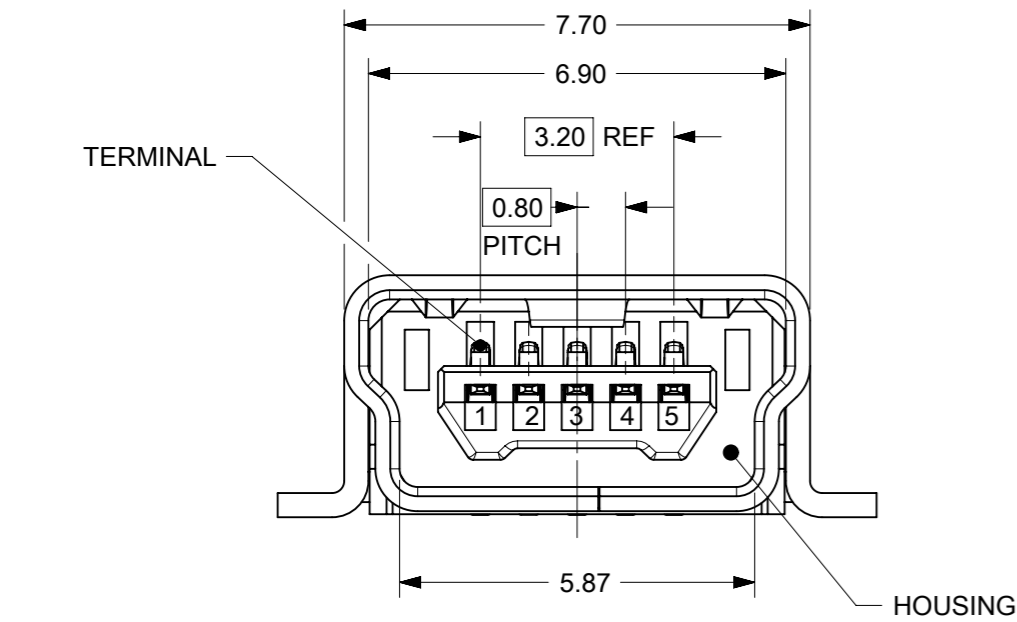


- NOTES:
- MATERIAL:
 - HOUSING: HIGH TEMPERATURE THERMAL PLASTIC, BLACK, UL94V-0
 - TERMINAL: COPPER ALLOY, THICKNESS = 0.2MM
 - SHIELD CASE: COPPER ALLOY, THICKNESS = 0.4MM
 - PLATING:
 - TERMINAL:
 - CONTACT AREA: GOLD 0.75 MICROMETER MINIMUM.
 - SOLDER TAIL AREA: PURE TIN 3.8 MICROMETER MINIMUM.
 - UNDER PLATING: NICKEL 1.25 MICROMETER MINIMUM.
 - SHIELD CASE:
 - PURE TIN 1~3 MICROMETER PLATING.
 - UNDER PLATING: NICKEL 1.0 MICROMETER MINIMUM.
 - TAIL & NAIL COPLANARITY 0.1mm MAXIMUM.
 - PRODUCT SPECIFICATION REFER TO PS-67803-001.
 - PACKAGING INFORMATION REFER TO PK-67503-001.



RECOMMENDED P.C.B. PATTERN LAYOUT

PART NUMBER 67503-1230

THIS DRAWING CONTAINS INFORMATION THAT IS PROPRIETARY TO MOLEX ELECTRONIC TECHNOLOGIES, LLC AND SHOULD NOT BE USED WITHOUT WRITTEN PERMISSION		CURRENT REV DESC:		molex	
DIMENSION UNITS	SCALE				
mm	NTS			USB SERIES MINI-B REC. REC. ASS'Y FOR SMT W/O BACKOVER&PEG(LEAD-FREE)	
GENERAL TOLERANCES (UNLESS SPECIFIED)				PRODUCT CUSTOMER DRAWING	
ANGULAR TOL	± 3.0 °			DOCUMENT NUMBER	
4 PLACES	±	EC NO: 644146	2020/10/05	SD-67503-011	
3 PLACES	±	DRWN: PRADEA	2021/05/26	DOC TYPE	DOC PART
2 PLACES	± 0.25	CHK'D: AYIN	2021/05/26	PSD	001
1 PLACE	± 0.25	APPR: AYIN		REVISION	C
0 PLACES	±	INITIAL REVISION:			
DRAFT WHERE APPLICABLE MUST REMAIN WITHIN DIMENSIONS		DRWN: LXWANG	2005/01/04		
		APPR: YTYAP	2005/01/05		
		THIRD ANGLE PROJECTION	DRAWING	SERIES	MATERIAL NUMBER
			A3-SIZE	67503	CUSTOMER
					GENERAL MARKET
					SHEET NUMBER
					1 OF 1