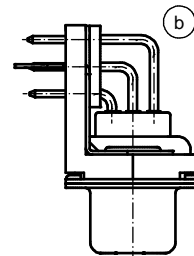
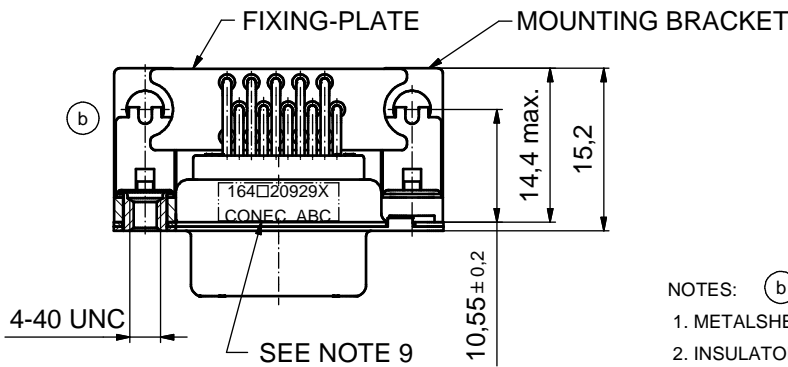
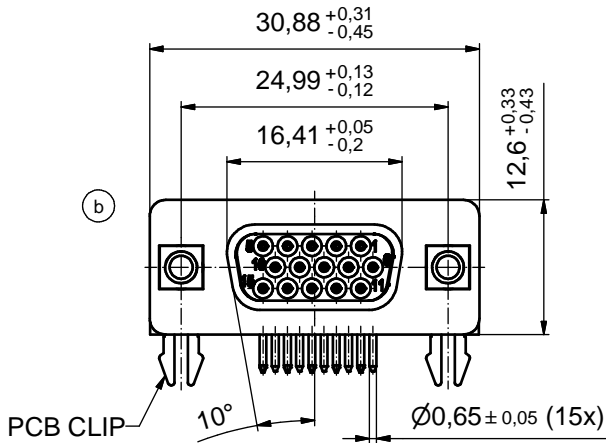
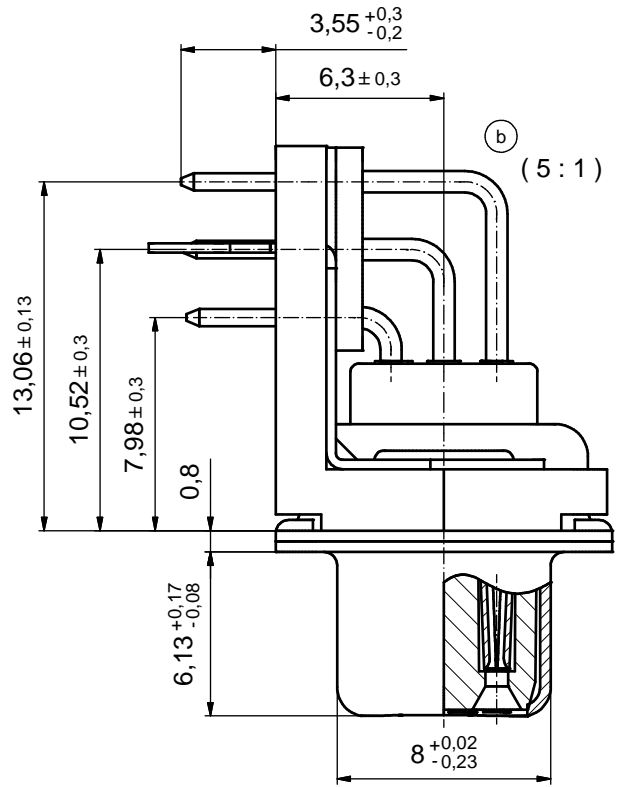
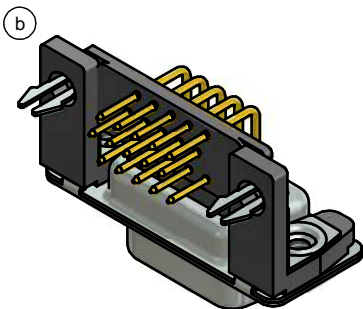


P.C.B. HOLE DRILLINGS  
(P.C.B. TOP SIDE)



NOTES:

1. METALSHELLS: STEEL; min. 315µin TIN over 40-80µin NICKEL
2. INSULATORS: PBT GF UL 94 V-0; Black
3. CONTACTS: COPPER ALLOY; PLATING (SEE PART NO.):
  - PLEASE ADD A for GOLD FLASH over NICKEL (PREFERRED TYPE)
  - PLEASE ADD B for 20µin HARD GOLD over min. 50µin NICKEL
  - PLEASE ADD C for 30µin HARD GOLD over min. 50µin NICKEL
 CONTACTS TAILS PRETINNED
4. MOUNTING BRACKETS: PBT GF UL 94 V-0; Black
5. THREADED INSERTS: COPPER ALLOY; min. 200µin TIN over 80µin NICKEL
6. GROUNDING CLIPS: COPPER ALLOY; min. 200µin TIN over 80µin NICKEL  
PCB-HOLE: Ø3,1±0,1mm; PCB-THICKNESS: 1,6mm
7. FIXING-PLATE: PBT GF UL 94 V-0; Black
8. MAXIMUM TORQUE VALUE FOR THREAD: 6 in.LB
9. CONNECTOR IS PART MARKED: **164□20929X CONEC ABC** (see note 3)



Directive 2002/95/EC RoHS compliant

|  |             |            |              |                                 |   |            |  |           |
|--|-------------|------------|--------------|---------------------------------|---|------------|--|-----------|
| THIS DRAWING MAY NOT BE COPIED OR REPRODUCED IN ANY WAY, AND MAY NOT BE PASSED ON TO A THIRD PARTY WITHOUT WRITTEN PERMISSION. OWNERSHIP AND COPYRIGHT OF CONEC GmbH<br>DO NOT ALTER CAD DRAWING BY HAND |             |            |              | tolerance                       |   | dim. in mm | scale:                                     | 2:1 (5:1) |
|  |             |            |              | date                            |   |            | name                                       |           |
| drawn  |             | 23.05.2014 | Heinrich     |                                 | title:<br><b>D-SUB HD FEMALE 90°</b><br>15pos. solder pin angled 0.350inch<br>threaded insert, mounting bracket, fixing plate, grounding clip |            |  |           |
| appd.  |             | 23.05.2014 | Lehmenkühler |                                 |   |            |  |           |
| norm   |             |            |              | dwg no:<br><b>16K1A3461</b> (b) |   |            | DIN-A3<br>sh: 1                            |           |
| d-old  |             | 16K1A1852  |              |                                 |   |            |  |           |
| 8 x b  | Ä5220       | 23.05.2014 | Heinrich     |                                 |   |            | part no:<br><b>164□20929X</b> (see note 3) |           |
| a  | Original    |            |              |                                 |   |            |  |           |
| rev.   | description | date       | name         |                                 |   |            |  |           |