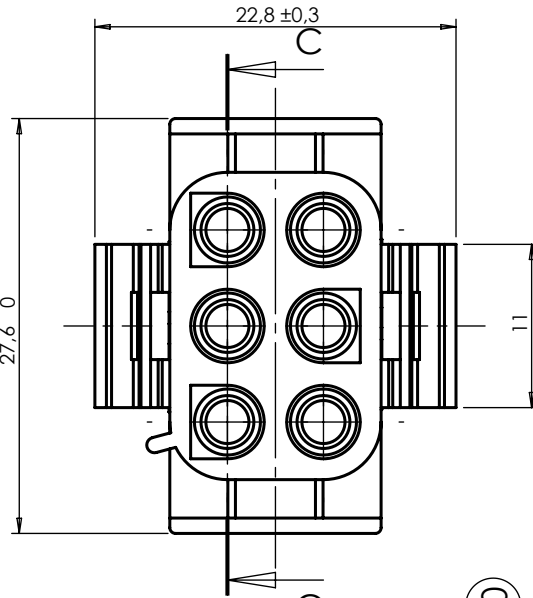
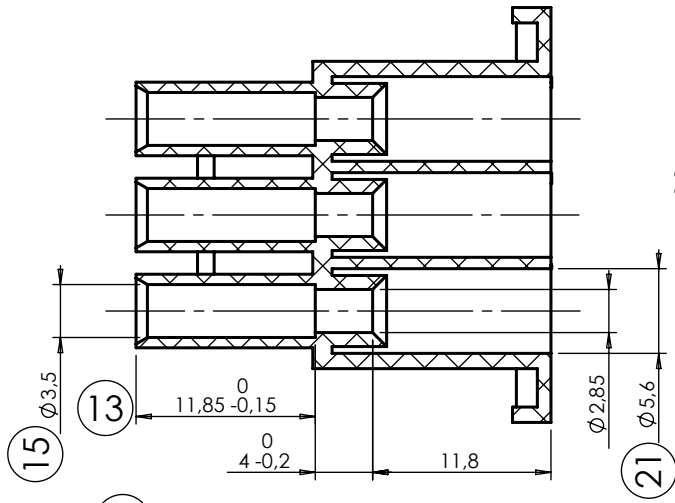
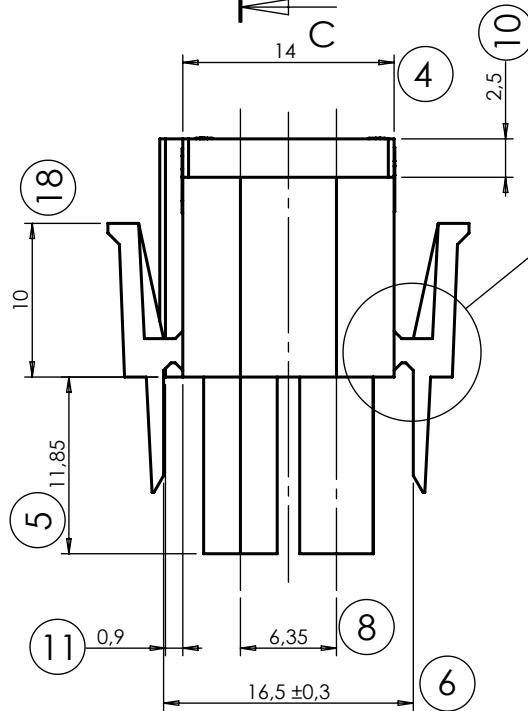
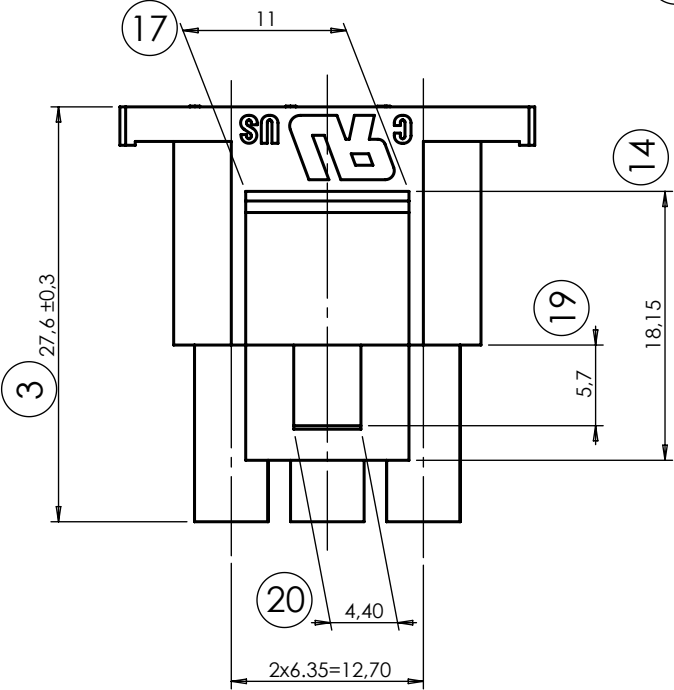
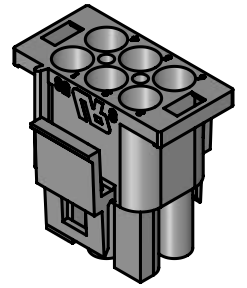
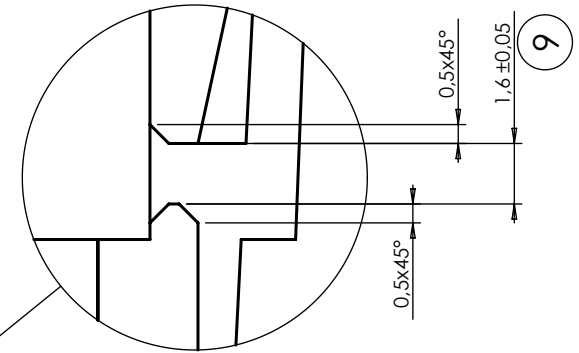
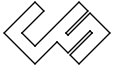
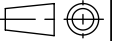


SEZIONE C-C



DETTAGLIO G  
SCALA 5:1



4	Modified diameters from $\varnothing 3.75$ to $\varnothing 3.50$ mm (See section C-C)	15-01-2016	
	Improved thickness latching hook to 1.60 mm (See detail "G")		
	Added chamfer 0.5x45° (Detail "G")		
3	Added UL & CSA symbols	09-11-2011	
2	Updated raw materials table and title box	23-02-2011	
1	Updated tolerance limits	02-12-1999	
INDEX	MODIFICATION	DATE	
 <p>CS S.r.l. 20063 CERNUSCO S/N - VIA COMO, 11 TEL +39.02.9210.7404 - FAX +39.02.9210.0217 http://www.csconnectors.com - e-mail: info@csconnectors.com</p>			
CHECKED BY Stefano Galimberti		DATE	DESIGN UNITS METRIC
DRAWN BY Luca Viscardi		DATE	WEIGHT
CAD REFER Y:\dis\cs\lk\06vie\m\		SIZE A4	SCALE 1:0.5
INDEX 0 15-11-1997			
BASE CODE CS-LK06M	DESCRIPTION 6 poles plug housing for LK series terminals $\varnothing 2.12$ mm		

DIMENSIONS WITHOUT TOLERANCES				CS-LK06M	PA66 UL94 V-2
A ±2°	0 - 6	±0.1	CS-LK06MSTY	PA6/66 UL94 V-0	
	6 - 30	±0.2	CS-LK06MV0750NF	PA46 UL94 V-2	
	> 30	±0.3	CS-LK06M-G	PA66 UL94 V-0 GWIT 775	
			PART NUMBER	MATERIAL	