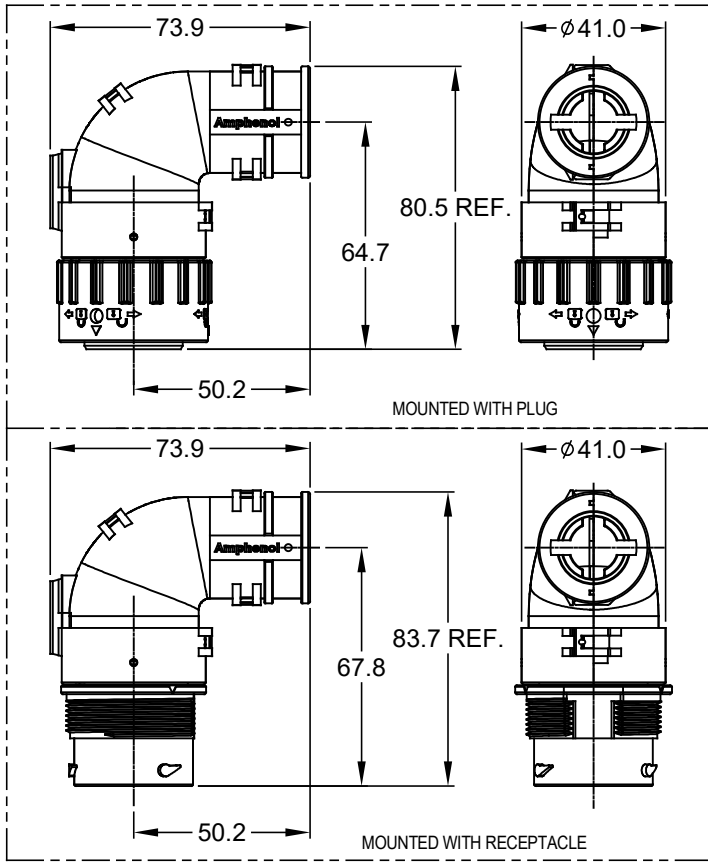
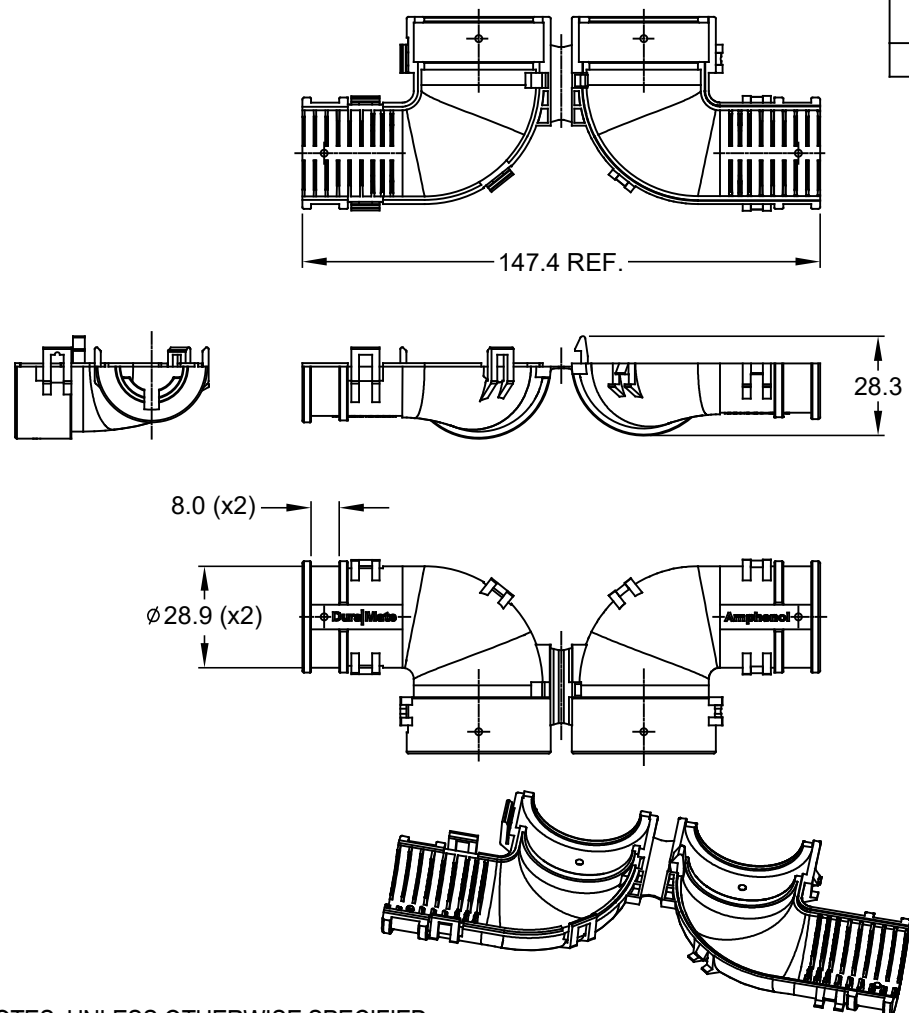


REVISIONS					
REV	ECO	DESCRIPTION	DATE	BY	APPR
01		FIRST ISSUE	Jan 22-2018	WILBER	TOMMY



NOTES: UNLESS OTHERWISE SPECIFIED

1. MATERIAL: THERMOPLASTIC,COLORS: BLACK
2. USE WITH AHDP04/06-18-*P/S-WTA
3. CABLE EXIT DESIGNED FOR CORRUGATED TUBE NW 13,17 AND 19.
4. RoHS COMPLIANT
5. ALL DIMENSIONS ARE FOR REFERENCE USE ONLY.

AHDPBS-015-1805		DESCRIPTION		ITEM
PART NUMBER		DESCRIPTION		ITEM
QUANTITY				
MATERIALS LIST				
UNLESS OTHERWISE SPECIFIED		SIGNATURES		DATE
1) All dimensions are in metric(mm).		DRAWN: Wilber Liu		Jan 22-2018
2) Tolerances are as follows:		CHECKED: Orion.Li		Jan 22-2018
1 PL DEC ±0.50		ENGINEER:		
2 PL DEC ±0.15		APPROVAL: TOMMY.Xie		Jan 22-2018
3 PL DEC ±0.08		CUSTOMER:		
3) Note reference =		THIS DRAWING IS SUPPLIED FOR INFORMATION ONLY. DESIGN FEATURES, SPECIFICATIONS AND PERFORMANCE DATA SHOWN HEREON ARE THE PROPERTY OF THE AMPHENOL CORPORATION. NO RIGHTS OF REPRODUCTION ARE IMPLIED. ALL DIMENSIONS ARE SUBJECT TO NORMAL MANUFACTURING VARIATIONS.		
MATERIAL SPECIFICATIONS:		SIZE		TYPE
PROCESS SPECIFICATIONS:		A C-		DWG NO:
NEXT ASSY:		SCALE: NONE		REVISION
		AHDPBS-015-1805		01
		SINE SYSTEMS - www.amphenol-sine.com 44724 Morley Drive Clinton Township, MI 48036		
		BACK SHELL,COVER ,90 ANGLE AHDP SERIES, SIZE 18		
		SHEET 1 OF 1		