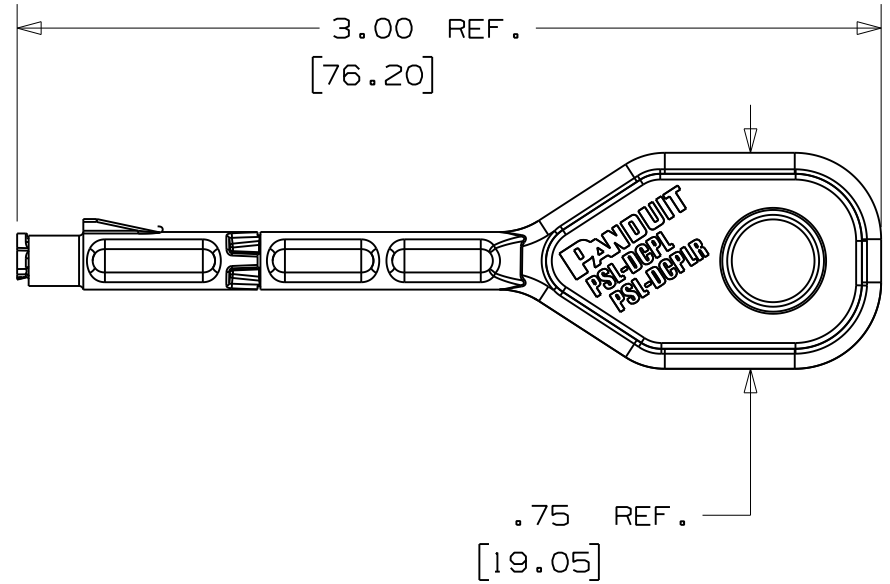
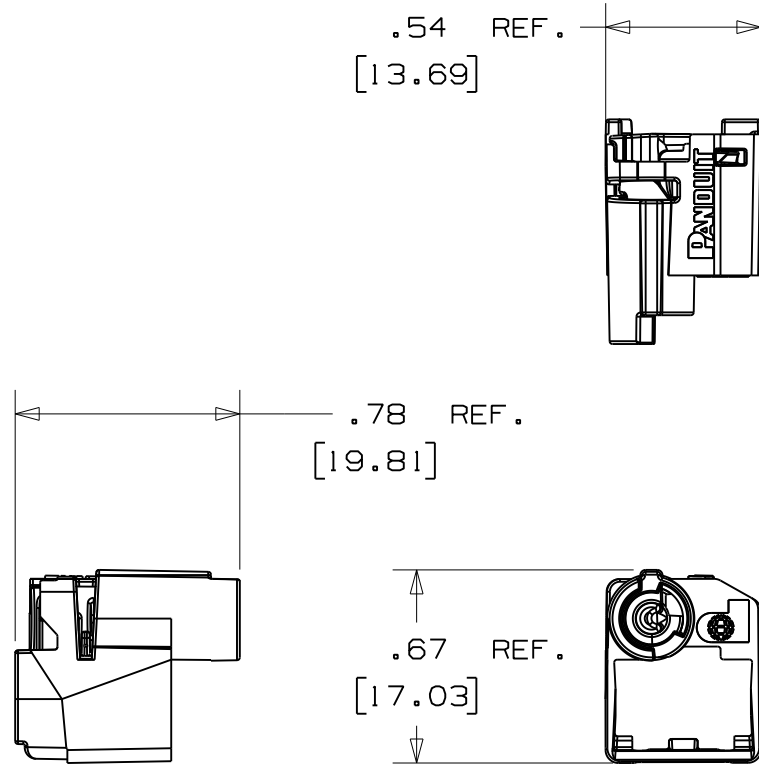


THIS COPY IS PROVIDED ON A RESTRICTED BASIS AND IS NOT TO BE USED IN ANY WAY DETRIMENTAL TO THE INTERESTS OF PANDUIT CORP.



PSL - DCPLR

KEY

CAD FILENAME/LAYERS 100913AD_C10743_DCPLR_01.prt

PANDUIT CORP. TINLEY PARK, ILLINOIS

PSL - DCPLR
CUSTOMER DRAWING

UNLESS OTHERWISE SPECIFIED,
DIMENSIONAL TOLERANCES ARE:
(.X) ± .05 (.XXX) ± .010
(.XX) ± .02 ANGLES ± 2°

UNLESS OTHERWISE SPECIFIED,
ALL DIMENSIONS ARE GIVEN
IN INCHES, THIRD ANGLE PROJECTION.

DRAWN BY
MROB

MAT'L:

SCALE

1.5 : 1

0	09/17/08	MROB		DRAWING RELEASED	5552	D						
---	----------	------	--	------------------	------	---	--	--	--	--	--	--

DATE
09/17/08

LOCK - IN
POLYCARBONATE
KEY
10% GF NYLON

DRAWING NO.

C10743

DWG

A

SIZE

REV	DATE	BY	CHK	DESCRIPTION	ECN	R	CUST	SUP				
-----	------	----	-----	-------------	-----	---	------	-----	--	--	--	--