

CMOS QUAD BILATERAL SWITCH

Check for Samples: [CD4066B-Q1](#)

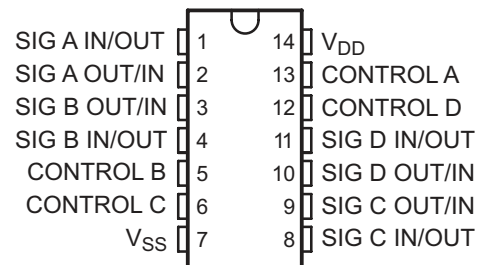
FEATURES

- Qualified for Automotive Applications
- 15-V Digital or ± 7.5 -V Peak-to-Peak Switching
- 125- Ω Typical On-State Resistance for 15-V Operation
- Switch On-State Resistance Matched to Within 5 Ω Over 15-V Signal-Input Range
- On-State Resistance Flat Over Full Peak-to-Peak Signal Range
- High On/Off Output-Voltage Ratio: 80 dB Typical at $f_{is} = 10$ kHz, $R_L = 1$ k Ω
- High Degree of Linearity: <0.5% Distortion Typical at $f_{is} = 1$ kHz, $V_{is} = 5$ V p-p, $V_{DD} - V_{SS} \geq 10$ V, $R_L = 10$ k Ω
- Extremely Low Off-State Switch Leakage, Resulting in Very Low Offset Current and High Effective Off-State Resistance: 10 pA Typical at $V_{DD} - V_{SS} = 10$ V, $T_A = 25^\circ\text{C}$
- Extremely High Control Input Impedance (Control Circuit Isolated From Signal Circuit): 10¹² Ω Typical
- Low Crosstalk Between Switches: –50 dB Typical at $f_{is} = 8$ MHz, $R_L = 1$ k Ω
- Matched Control-Input to Signal-Output Capacitance: Reduces Output Signal Transients
- Frequency Response, Switch On = 40 MHz Typical
- 100% Tested for Quiescent Current at 20 V

- 5-V, 10-V, and 15-V Parametric Ratings
- Latch-Up Exceeds 100mA per JESD78 - Class I
- Meets All Requirements of JEDEC Tentative Standard No. 13-B, *Standard Specifications for Description of "B" Series CMOS Devices*

APPLICATIONS

- Analog Signal Switching/Multiplexing: Signal Gating, Modulator, Squelch Control, Demodulator, Chopper, Commutating Switch
- Digital Signal Switching/Multiplexing
- Transmission-Gate Logic Implementation
- Analog-to-Digital and Digital-to-Analog Conversion
- Digital Control of Frequency, Impedance, Phase, and Analog-Signal Gain

E, F, M, NS, OR PW PACKAGE
(TOP VIEW)


DESCRIPTION/ORDERING INFORMATION

The CD4066B-Q1 is a quad bilateral switch intended for the transmission or multiplexing of analog or digital signals. It is pin-for-pin compatible with the CD4016B, but exhibits a much lower on-state resistance. In addition, the on-state resistance is relatively constant over the full signal-input range.

The CD4066B-Q1 consists of four bilateral switches, each with independent controls. Both the p and the n devices in a given switch are biased on or off simultaneously by the control signal. As shown in [Figure 1](#), the well of the n-channel device on each switch is tied to either the input (when the switch is on) or to V_{SS} (when the switch is off). This configuration eliminates the variation of the switch-transistor threshold voltage with input signal and, thus, keeps the on-state resistance low over the full operating-signal range.

The advantages over single-channel switches include peak input-signal voltage swings equal to the full supply voltage and more constant on-state impedance over the input-signal range. However, for sample-and-hold applications, the CD4016B is recommended.



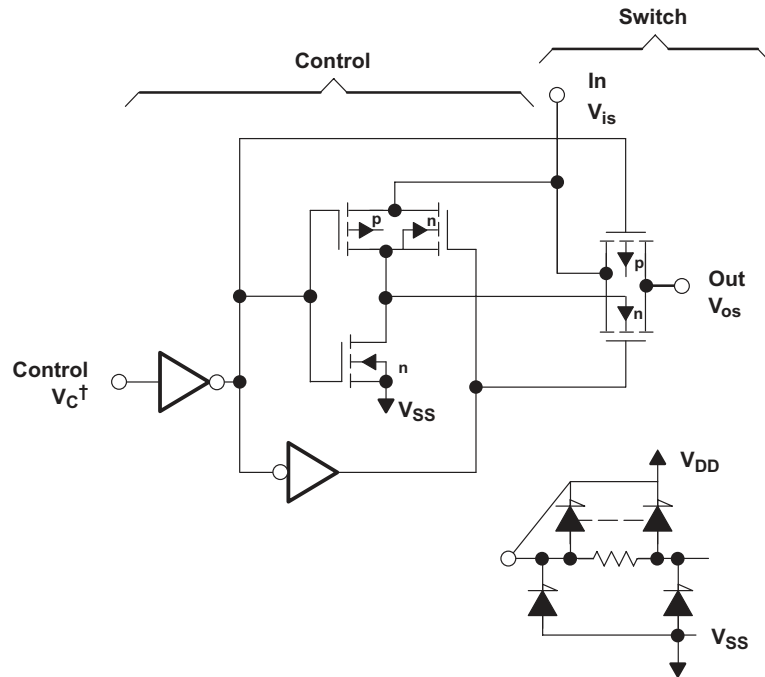
Please be aware that an important notice concerning availability, standard warranty, and use in critical applications of Texas Instruments semiconductor products and disclaimers thereto appears at the end of this data sheet.



These devices have limited built-in ESD protection. The leads should be shorted together or the device placed in conductive foam during storage or handling to prevent electrostatic damage to the MOS gates.

ORDERING INFORMATION

T _A	PACKAGE		ORDERABLE PART NUMBER	TOP-SIDE MARKING
-40°C to 125°C	SOIC – D	Reel of 2500	CD4066BQDRQ1	CD4066BQ



† All control inputs are protected by the CMOS protection network.

NOTES: A. All p substrates are connected to V_{DD}.

B. Normal operation control-line biasing: switch on (logic 1), V_C = V_{DD}; switch off (logic 0), V_C = V_{SS}

C. Signal-level range: V_{SS} ≤ V_{is} ≤ V_{DD}

Figure 1. Schematic Diagram of One-of-Four Identical Switches and Associated Control Circuitry

ABSOLUTE MAXIMUM RATINGS

over operating free-air temperature range (unless otherwise noted) ⁽¹⁾

		VALUE	UNIT
DC supply-voltage range, V_{DD} (voltages referenced to V_{SS} terminal)		–0.5 to 20	V
Input voltage range, V_{is} (all inputs)		–0.5 to $V_{DD} + 0.5$	V
DC input current, I_{IN} (any one input)		±10	mA
Package thermal impedance, θ_{JA} ⁽²⁾	D package	86	°C/W
ESD Electrostatic discharge ⁽³⁾	Human-Body Model (HBM)	500	V
	Machine Model (MM)	150	
	Field-Induced-Charged Device Model (CDM)	1000	
Lead temperature (during soldering): At distance $1/16 \pm 1/32$ inch ($1,59 \pm 0,79$ mm) from case for 10 s max		265	°C
Storage temperature range, T_{stg}		–65 to 150	°C

- (1) Stresses beyond those listed under "absolute maximum ratings" may cause permanent damage to the device. These are stress ratings only, and functional operation of the device at these or any other conditions beyond those indicated under "recommended operating conditions" is not implied. Exposure to absolute-maximum-rated conditions for extended periods may affect device reliability.
- (2) The package thermal impedance is calculated in accordance with JESD 51-7.
- (3) Tested in accordance with AEC-Q100.

THERMAL INFORMATION

THERMAL METRIC ⁽¹⁾		CD4066B-Q1	UNITS
		D PACKAGE	
		14 PINS	
θ_{JA}	Junction-to-ambient thermal resistance	92.4	°C/W
θ_{JcTop}	Junction-to-case (top) thermal resistance	52.5	
θ_{JB}	Junction-to-board thermal resistance	46.7	
ψ_{JT}	Junction-to-top characterization parameter	46.4	
ψ_{JB}	Junction-to-board characterization parameter	46.4	
θ_{JcBot}	Junction-to-case (bottom) thermal resistance	N/A	

- (1) For more information about traditional and new thermal metrics, see the *IC Package Thermal Metrics* application report, [SPRA953](#).

RECOMMENDED OPERATING CONDITIONS

		MIN	MAX	UNIT
V_{DD}	Supply voltage	3	18	V
T_A	Operating free-air temperature	–40	125	°C

ELECTRICAL CHARACTERISTICS

over operating free-air temperature range (unless otherwise noted)

PARAMETER	TEST CONDITIONS	LIMITS AT INDICATED TEMPERATURES						UNIT
		V _{IN} (V)	V _{DD} (V)	–40°C	125°C	25°C		
						TYP	MAX	
I _{DD} Quiescent device current		0.5	5	0.25	7.5	0.01	0.25	μA
		0.10	10	0.5	15	0.01	0.5	
		0.15	15	1	30	0.01	1	
		0.20	20	5	150	0.02	5	
SIGNAL INPUTS (V_{is}) AND OUTPUTS (V_{os})								
r _{on} On-state resistance (max)	V _C = V _{DD} , R _L = 10 kΩ returned to $\frac{V_{DD} V_{SS}}{2 V_{DD}}$, V _{is} = V _{SS}	5		850	1300	470	1050	Ω
		10		330	550	180	400	
		15		210	320	125	240	
Δr _{on} On-state resistance difference between any two switches	R _L = 10 kΩ, V _C = V _{DD}	5				15		Ω
		10				10		
		15				5		
THD Total harmonic distortion	V _C = V _{DD} = 5 V, V _{SS} = –5 V, V _{is(p-p)} = 5 V (sine wave centered on 0 V), R _L = 10 kΩ, f _{is} = 1-kHz sine wave					0.4%		
3-dB cutoff frequency (switch on)	V _C = V _{DD} = 5 V, V _{SS} = –5 V, V _{is(p-p)} = 5 V (sine wave centered on 0 V), R _L = 1 kΩ					40		MHz
–50-dB feedthrough frequency (switch off)	V _C = V _{SS} = –5 V, V _{is(p-p)} = 5 V (sine wave centered on 0 V), R _L = 1 kΩ					1		MHz
I _{is} Input/output leakage current (switch off) (max)	V _C = 0 V, V _{is} = 18 V, V _{os} = 0 V; and V _C = 0 V, V _{is} = 0 V, V _{os} = 18 V	18		±0.1	±1	±10 ^{–5}	±0.1	μA
–50-dB crosstalk frequency	V _C (A) = V _{DD} = 5 V, V _C (B) = V _{SS} = –5 V, V _{is} (A) = 5 V _{p-p} , 50-Ω source, R _L = 1 kΩ					8		MHz
t _{pd} Propagation delay (signal input to signal output)	R _L = 200 kΩ, V _C = V _{DD} , V _{SS} = GND, C _L = 50 pF, V _{is} = 10 V (square wave centered on 5 V), t _r , t _f = 20 ns	5				20	40	ns
		10				10	20	
		15				7	15	
C _{is} Input capacitance	V _{DD} = 5 V, V _C = V _{SS} = –5 V					8		pF
C _{os} Output capacitance	V _{DD} = 5 V, V _C = V _{SS} = –5 V					8		pF
C _{ios} Feedthrough	V _{DD} = 5 V, V _C = V _{SS} = –5 V					0.5		pF

ELECTRICAL CHARACTERISTICS (continued)

over operating free-air temperature range (unless otherwise noted)

PARAMETER	TEST CONDITIONS	V_{IN} (V)	V_{DD} (V)	LIMITS AT INDICATED TEMPERATURES				UNIT
				–40°C	125°C	25°C		
						TYP	MAX	
CONTROL (V_C)								
V_{ILC} Control input, low voltage (max)	$ I_{is} < 10$ mA, $V_{is} = V_{SS}$, $V_{OS} = V_{DD}$, and $V_{is} = V_{DD}$, $V_{OS} = V_{SS}$	5	10	1	1	1	V	
				2	2	2		
				2	2	2		
V_{IHC} Control input, low voltage	See Figure 6	5	10	3.5 (MIN)		1	V	
				7 (MIN)				
				11 (MIN)				
I_{IN} Input current (max)	$V_{is} \leq V_{DD}$, $V_{DD} - V_{SS} = 18$ V, $V_{CC} \leq V_{DD} - V_{SS}$	18		±0.1	±1	±10 ⁻⁵ ±0.1	µA	
Crosstalk (control input to signal output)	$V_C = 10$ V (square wave), $t_r, t_f = 20$ ns, $R_L = 10$ kΩ	10				50	mW	
Turn-on and turn-off propagation delay	$V_{IN} = V_{DD}$, $t_r, t_f = 20$ ns, $C_L = 50$ pF, $R_L = 1$ kΩ	5	10	15		35	70	ns
						20	40	
						15	30	
Maximum control input repetition rate	$V_{is} = V_{DD}$, $V_{SS} = GND$, $R_L = 1$ kΩ to GND, $C_L = 50$ pF, $V_C = 10$ V (square wave centered on 5 V), $t_r, t_f = 20$ ns, $V_{os} = 1/2 V_{os}$ at 1 kHz	5	10	15		6	9.5	MHz
						9		
						9.5		
C_i Input capacitance						5	pF	

SWITCHING CHARACTERISTICS

V_{DD} (V)	V_{is} (V)	SWITCH INPUT			SWITCH OUTPUT, V_{os} (V)	
		I_{is} (mA)			MIN	MAX
		–40°C	25°C	125°C		
5	0	0.61	0.51	0.36	4.6	0.4
5	5	–0.61	–0.51	–0.36		
10	0	1.5	1.3	0.9		
10	10	–1.6	–1.3	–0.9		
15	0	4	3.4	2.4	13.5	1.5
15	15	–4	–3.4	–2.4		

TYPICAL CHARACTERISTICS

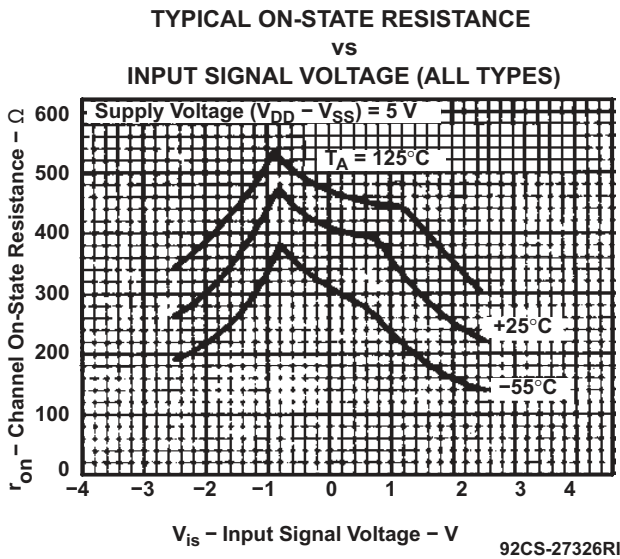


Figure 2.

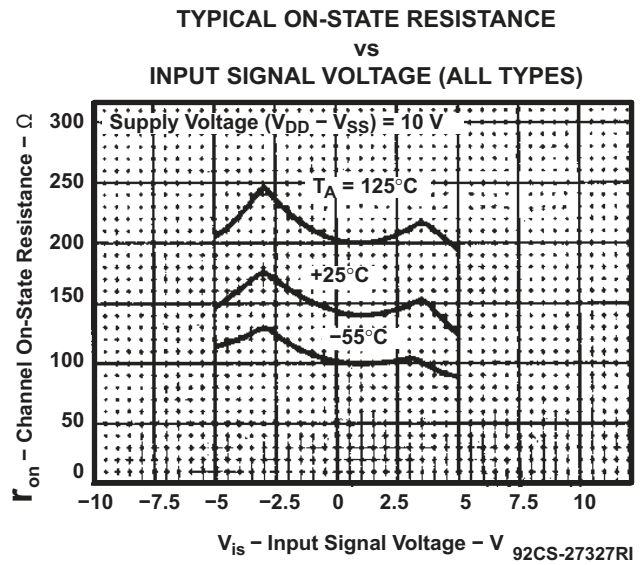


Figure 3.

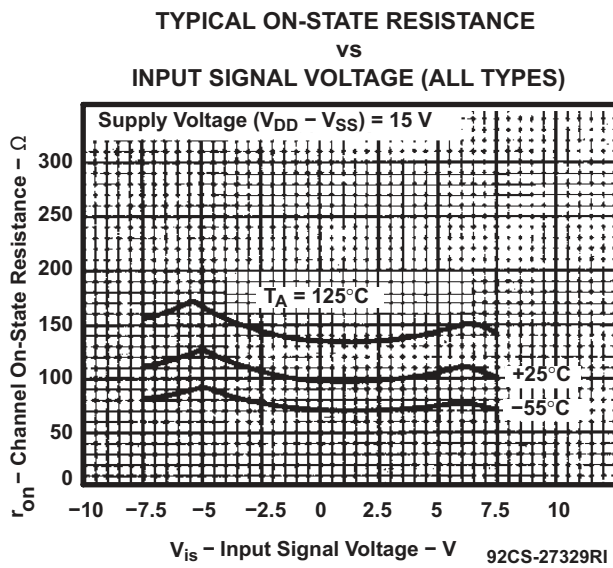


Figure 4.

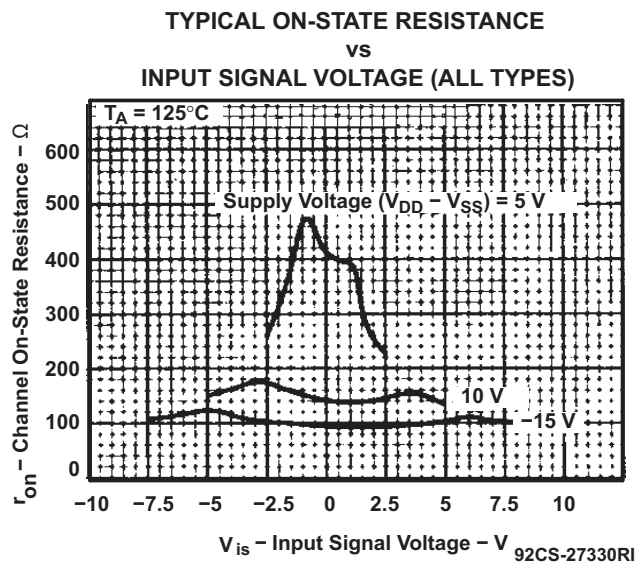
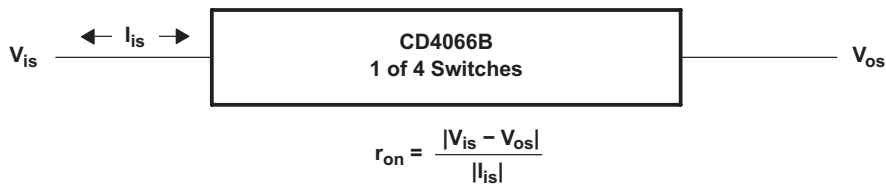


Figure 5.



92CS-30966

Figure 6. Determination of r_{on} as a Test Condition for Control-Input High-Voltage (VIHC) Specification

TYPICAL CHARACTERISTICS (continued)

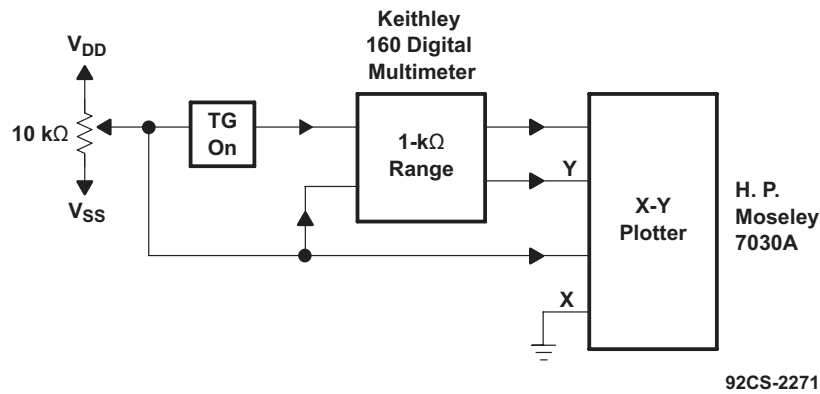


Figure 7. Channel On-State Resistance Measurement Circuit

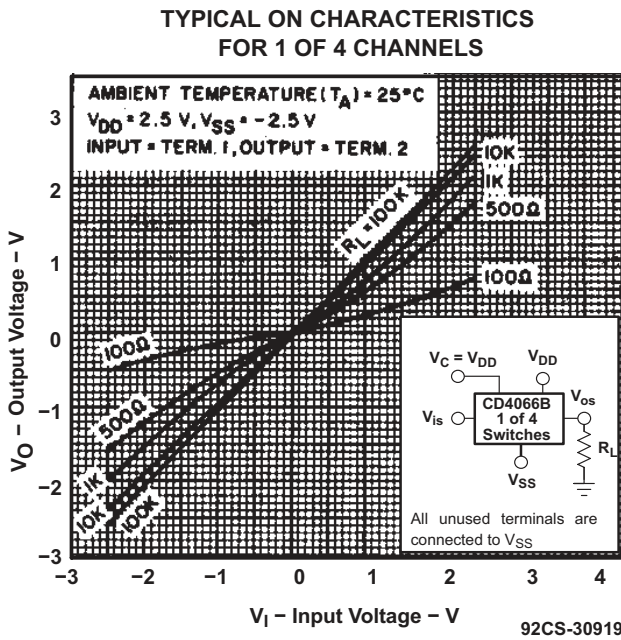


Figure 8.

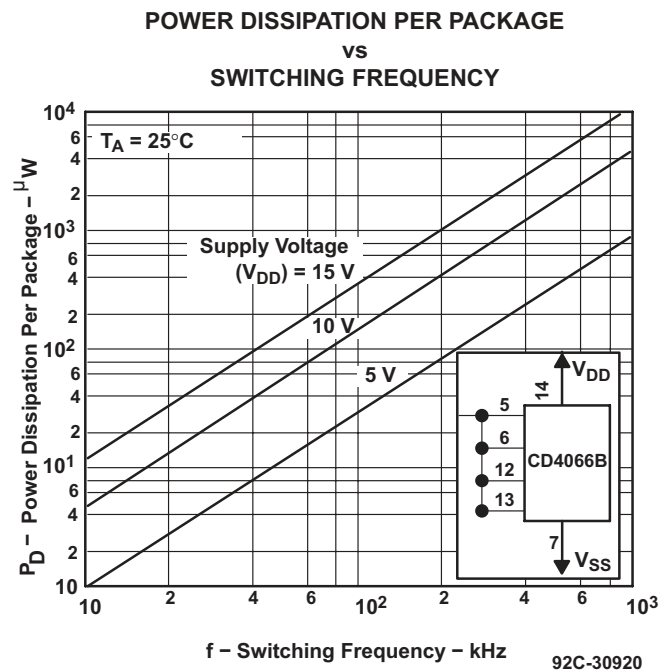
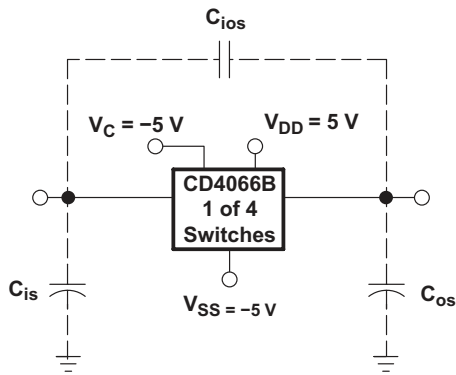


Figure 9.

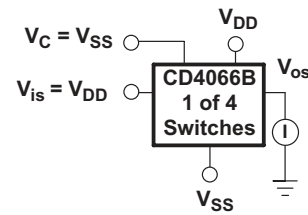
TYPICAL CHARACTERISTICS (continued)



92CS-30921

Measured on Boonton capacitance bridge, model 75a (1 MHz); test-fixture capacitance nulled out.

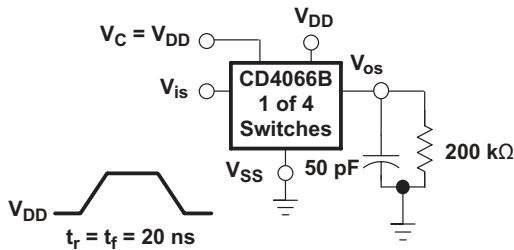
Figure 10. Typical On Characteristics for One of Four Channels



92CS-30922

All unused terminals are connected to V_{SS}.

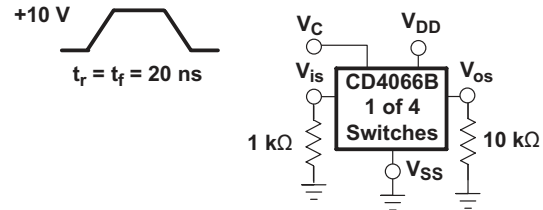
Figure 11. Off-Switch Input or Output Leakage



92CS-30923

All unused terminals are connected to V_{SS}.

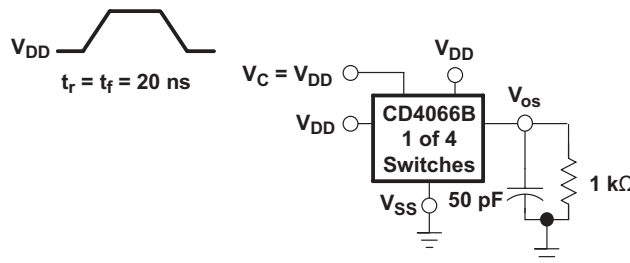
Figure 12. Propagation Delay Time Signal Input (V_{is}) to Signal Output (V_{os})



92CS-30924

All unused terminals are connected to V_{SS}.

Figure 13. Crosstalk-Control Input to Signal Output



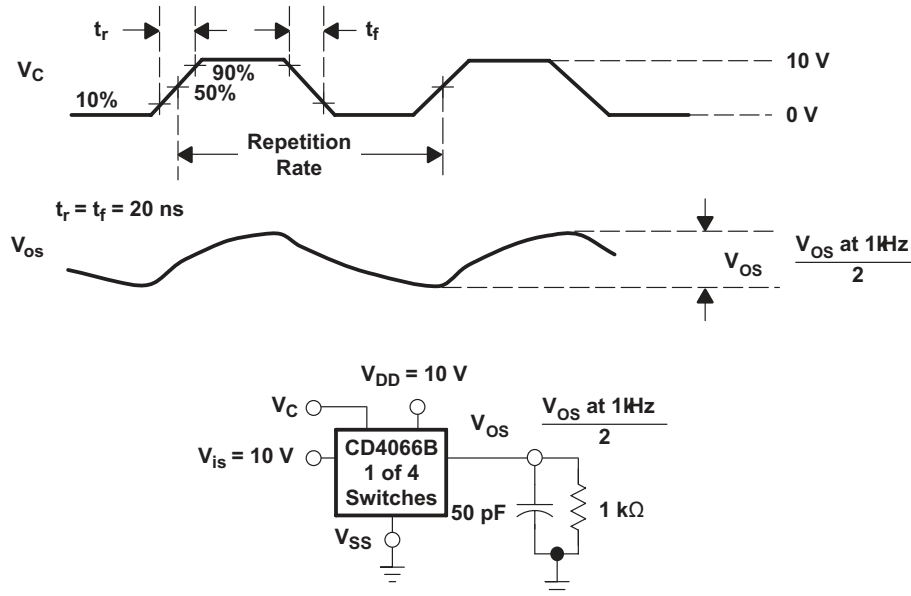
92CS-30925

NOTES: A. All unused terminals are connected to V_{SS}.

B. Delay is measured at V_{os} level of +10% from ground (turn-on) or on-state output level (turn-off).

Figure 14. Propagation Delay, t_{PLH}, t_{PHL} Control-Signal Output

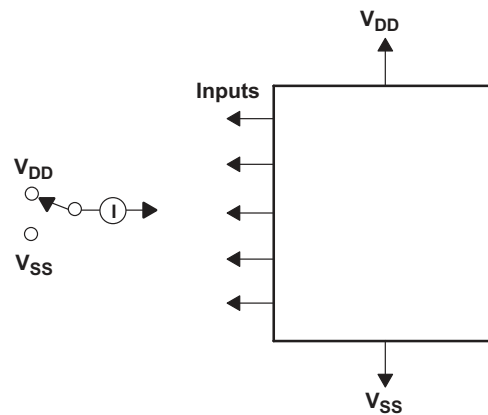
TYPICAL CHARACTERISTICS (continued)



All unused terminals are connected to V_{SS} .

92CS-30925

Figure 15. Maximum Allowable Control-Input Repetition Rate



92CS-27555

Measure inputs sequentially to both V_{DD} and V_{SS} . Connect all unused inputs to either V_{DD} or V_{SS} . Measure control inputs only.

Figure 16. Input Leakage-Current Test Circuit

TYPICAL CHARACTERISTICS (continued)

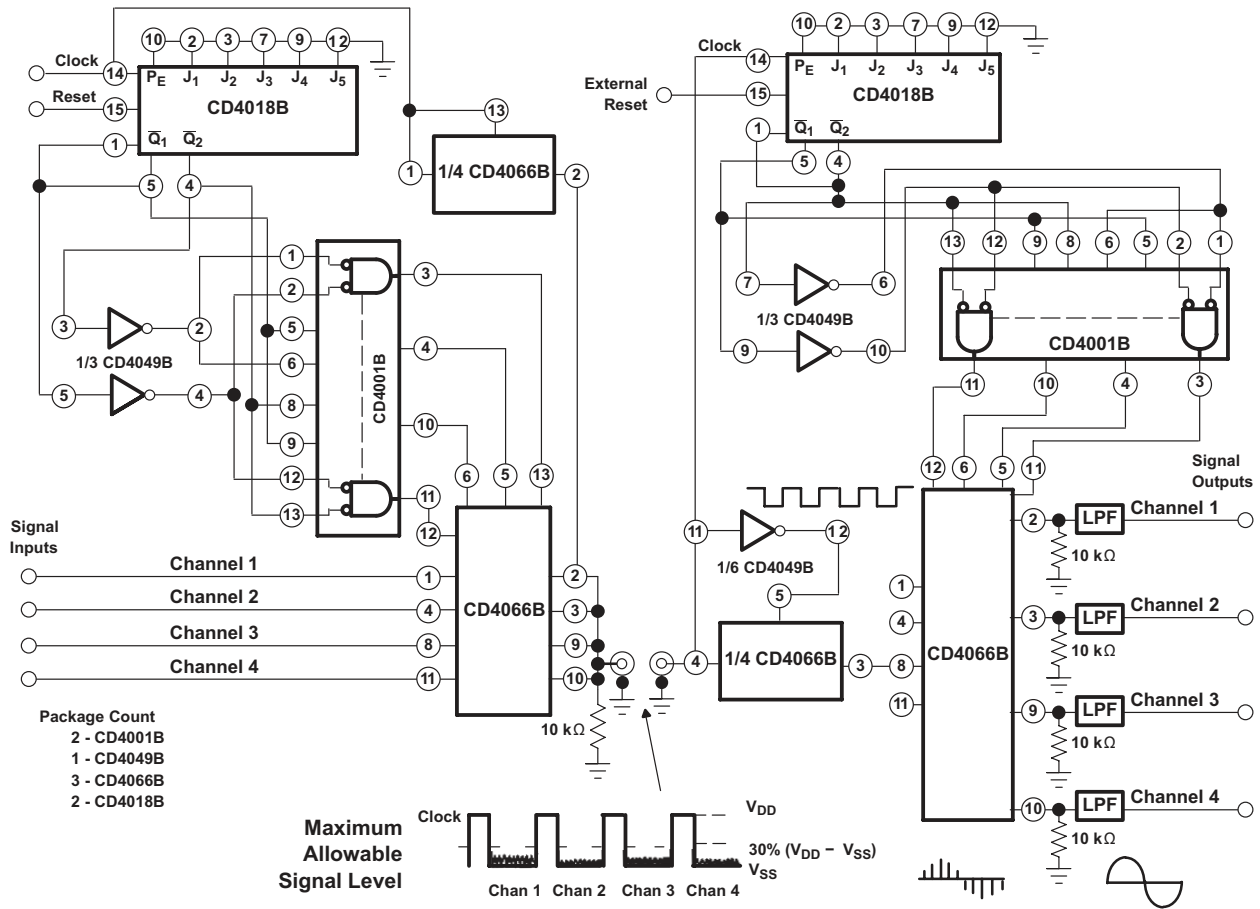


Figure 17. Four-Channel PAM Multiplex System Diagram

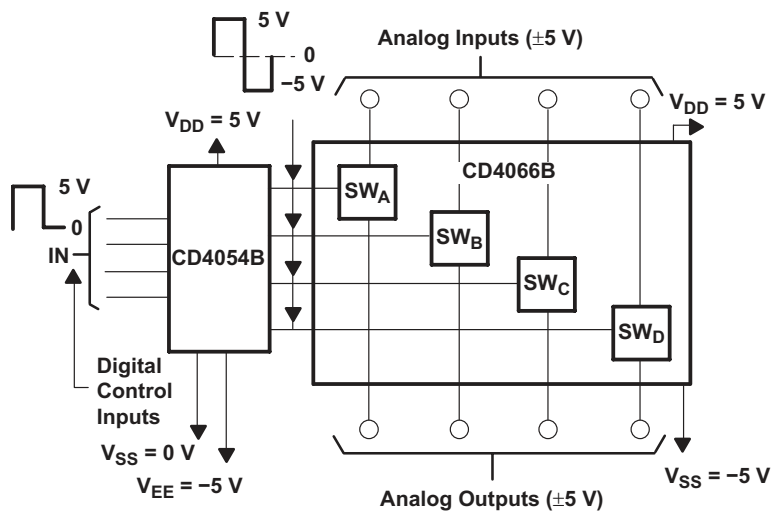


Figure 18. Bidirectional Signal Transmission Via Digital Control Logic

APPLICATION INFORMATION

In applications that employ separate power sources to drive V_{DD} and the signal inputs, the V_{DD} current capability should exceed V_{DD}/R_L (R_L = effective external load of the four CD4066B-Q1 bilateral switches). This provision avoids any permanent current flow or clamp action on the V_{DD} supply when power is applied or removed from the CD4066B-Q1.

In certain applications, the external load-resistor current can include both V_{DD} and signal-line components. To avoid drawing V_{DD} current when switch current flows into terminals 1, 4, 8, or 11, the voltage drop across the bidirectional switch must not exceed 0.8 V (calculated from r_{on} values shown).

No V_{DD} current will flow through R_L if the switch current flows into terminals 2, 3, 9, or 10.

PACKAGING INFORMATION

Orderable Device	Status (1)	Package Type	Package Drawing	Pins	Package Qty	Eco Plan (2)	Lead finish/ Ball material (6)	MSL Peak Temp (3)	Op Temp (°C)	Device Marking (4/5)	Samples
CD4066BQDRQ1	LIFEBUY	SOIC	D	14	2500	RoHS & Green	NIPDAU	Level-1-260C-UNLIM	-40 to 125	CD4066BQ	

(1) The marketing status values are defined as follows:

ACTIVE: Product device recommended for new designs.

LIFEBUY: TI has announced that the device will be discontinued, and a lifetime-buy period is in effect.

NRND: Not recommended for new designs. Device is in production to support existing customers, but TI does not recommend using this part in a new design.

PREVIEW: Device has been announced but is not in production. Samples may or may not be available.

OBSELETE: TI has discontinued the production of the device.

(2) **RoHS:** TI defines "RoHS" to mean semiconductor products that are compliant with the current EU RoHS requirements for all 10 RoHS substances, including the requirement that RoHS substance do not exceed 0.1% by weight in homogeneous materials. Where designed to be soldered at high temperatures, "RoHS" products are suitable for use in specified lead-free processes. TI may reference these types of products as "Pb-Free".

RoHS Exempt: TI defines "RoHS Exempt" to mean products that contain lead but are compliant with EU RoHS pursuant to a specific EU RoHS exemption.

Green: TI defines "Green" to mean the content of Chlorine (Cl) and Bromine (Br) based flame retardants meet JS709B low halogen requirements of <=1000ppm threshold. Antimony trioxide based flame retardants must also meet the <=1000ppm threshold requirement.

(3) MSL, Peak Temp. - The Moisture Sensitivity Level rating according to the JEDEC industry standard classifications, and peak solder temperature.

(4) There may be additional marking, which relates to the logo, the lot trace code information, or the environmental category on the device.

(5) Multiple Device Markings will be inside parentheses. Only one Device Marking contained in parentheses and separated by a "-" will appear on a device. If a line is indented then it is a continuation of the previous line and the two combined represent the entire Device Marking for that device.

(6) Lead finish/Ball material - Orderable Devices may have multiple material finish options. Finish options are separated by a vertical ruled line. Lead finish/Ball material values may wrap to two lines if the finish value exceeds the maximum column width.

Important Information and Disclaimer:The information provided on this page represents TI's knowledge and belief as of the date that it is provided. TI bases its knowledge and belief on information provided by third parties, and makes no representation or warranty as to the accuracy of such information. Efforts are underway to better integrate information from third parties. TI has taken and continues to take reasonable steps to provide representative and accurate information but may not have conducted destructive testing or chemical analysis on incoming materials and chemicals. TI and TI suppliers consider certain information to be proprietary, and thus CAS numbers and other limited information may not be available for release.

In no event shall TI's liability arising out of such information exceed the total purchase price of the TI part(s) at issue in this document sold by TI to Customer on an annual basis.

OTHER QUALIFIED VERSIONS OF CD4066B-Q1 :

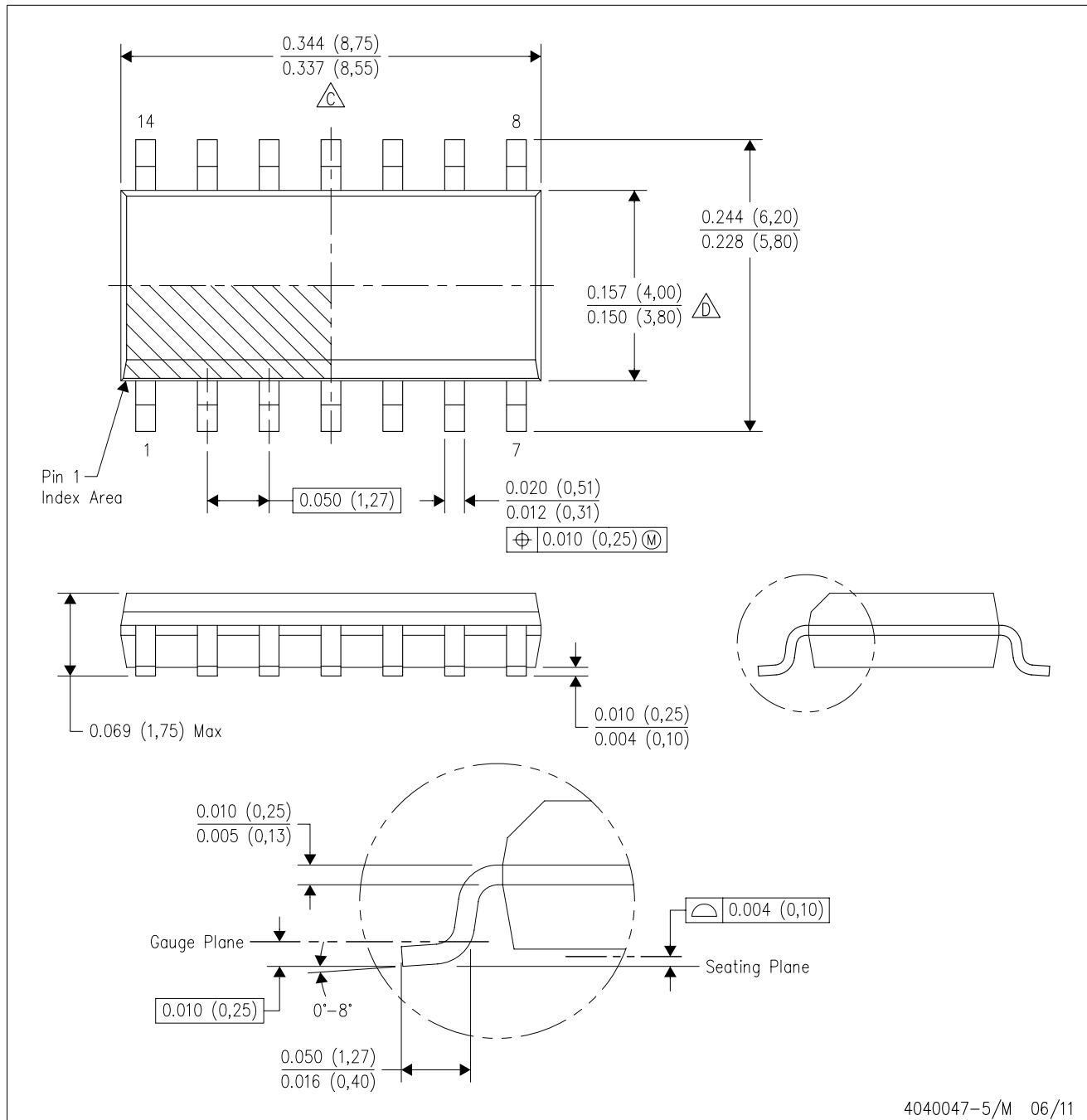
- Catalog : [CD4066B](#)
- Military : [CD4066B-MIL](#)

NOTE: Qualified Version Definitions:

- Catalog - TI's standard catalog product
- Military - QML certified for Military and Defense Applications

D (R-PDSO-G14)

PLASTIC SMALL OUTLINE



- NOTES:
- A. All linear dimensions are in inches (millimeters).
 - B. This drawing is subject to change without notice.
 - $\triangle C$ Body length does not include mold flash, protrusions, or gate burrs. Mold flash, protrusions, or gate burrs shall not exceed 0.006 (0,15) each side.
 - $\triangle D$ Body width does not include interlead flash. Interlead flash shall not exceed 0.017 (0,43) each side.
 - E. Reference JEDEC MS-012 variation AB.

IMPORTANT NOTICE AND DISCLAIMER

TI PROVIDES TECHNICAL AND RELIABILITY DATA (INCLUDING DATA SHEETS), DESIGN RESOURCES (INCLUDING REFERENCE DESIGNS), APPLICATION OR OTHER DESIGN ADVICE, WEB TOOLS, SAFETY INFORMATION, AND OTHER RESOURCES "AS IS" AND WITH ALL FAULTS, AND DISCLAIMS ALL WARRANTIES, EXPRESS AND IMPLIED, INCLUDING WITHOUT LIMITATION ANY IMPLIED WARRANTIES OF MERCHANTABILITY, FITNESS FOR A PARTICULAR PURPOSE OR NON-INFRINGEMENT OF THIRD PARTY INTELLECTUAL PROPERTY RIGHTS.

These resources are intended for skilled developers designing with TI products. You are solely responsible for (1) selecting the appropriate TI products for your application, (2) designing, validating and testing your application, and (3) ensuring your application meets applicable standards, and any other safety, security, regulatory or other requirements.

These resources are subject to change without notice. TI grants you permission to use these resources only for development of an application that uses the TI products described in the resource. Other reproduction and display of these resources is prohibited. No license is granted to any other TI intellectual property right or to any third party intellectual property right. TI disclaims responsibility for, and you will fully indemnify TI and its representatives against, any claims, damages, costs, losses, and liabilities arising out of your use of these resources.

TI's products are provided subject to [TI's Terms of Sale](#) or other applicable terms available either on [ti.com](https://www.ti.com) or provided in conjunction with such TI products. TI's provision of these resources does not expand or otherwise alter TI's applicable warranties or warranty disclaimers for TI products.

TI objects to and rejects any additional or different terms you may have proposed.

Mailing Address: Texas Instruments, Post Office Box 655303, Dallas, Texas 75265
Copyright © 2023, Texas Instruments Incorporated