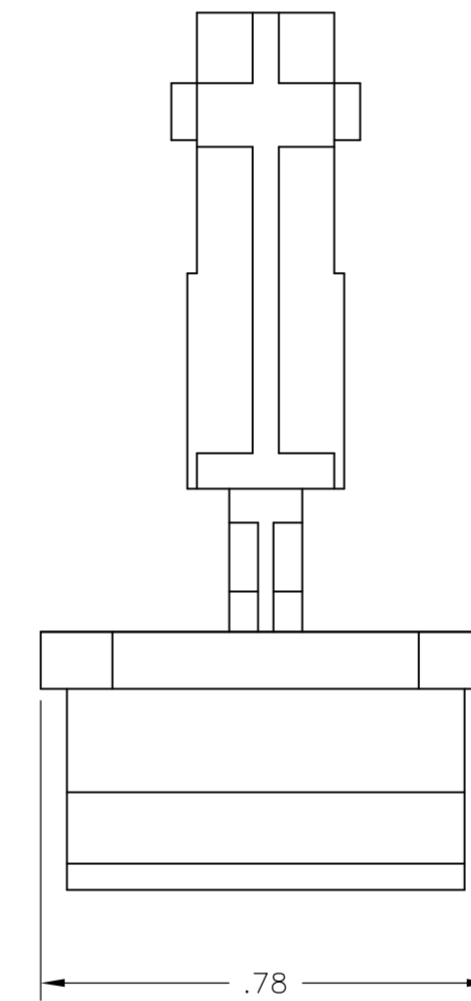
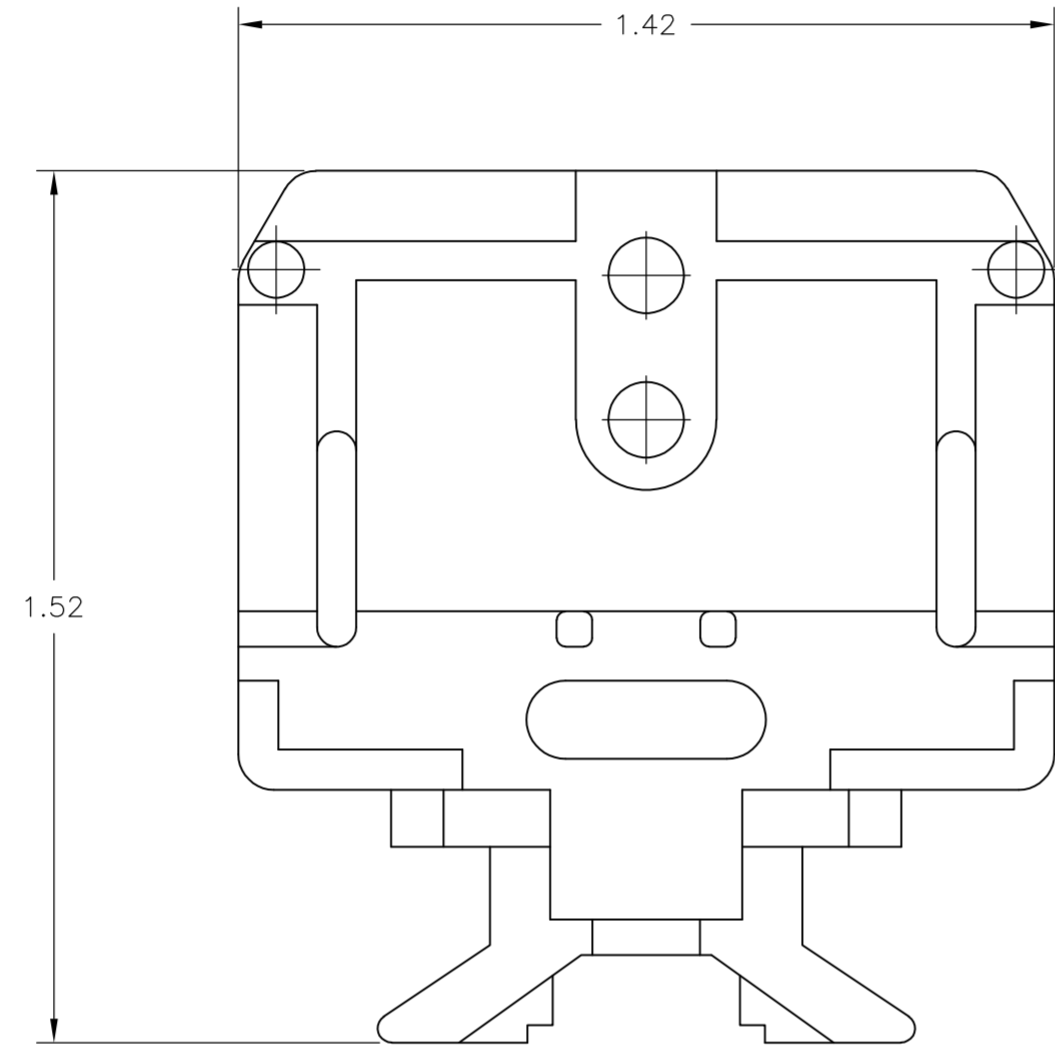


THIS DRAWING IS UNPUBLISHED. RELEASED FOR PUBLICATION
 © COPYRIGHT BY TYCO ELECTRONICS CORPORATION. ALL INTERNATIONAL RIGHTS RESERVED.

LOC	DIST	REVISIONS					
		P	LTR	DESCRIPTION	DATE	DWN	APVD
-	-	A	-		10/23/08	SS	SM

△ MATERIAL: NYLON



2-1437390-5
PART NUMBER

THIS DRAWING IS A CONTROLLED DOCUMENT.		DWN S SCHLEGEL 25JAN2008	Tyco Electronics Corporation Harrisburg, PA 17105-3608	
DIMENSIONS: INCHES		CHK S MACE 10/23/08	NAME HD END SECTION DOVE TAIL BASE 600V	
		APVD S MACE 10/23/08	RESTRICTED TO	
TOLERANCES UNLESS OTHERWISE SPECIFIED:		PRODUCT SPEC	SIZE A2	CAGE CODE 00779
0 PLC ± -		APPLICATION SPEC	DRAWING NO C=2-1437390-5	
1 PLC ± -			SCALE NTS	SHEET 1 of 1
2 PLC ± .02			REV A	
3 PLC ± .020				
4 PLC ± -				
ANGLES ± 2'				
FINISH		WEIGHT -	CUSTOMER DRAWING	

2-1437390-5