

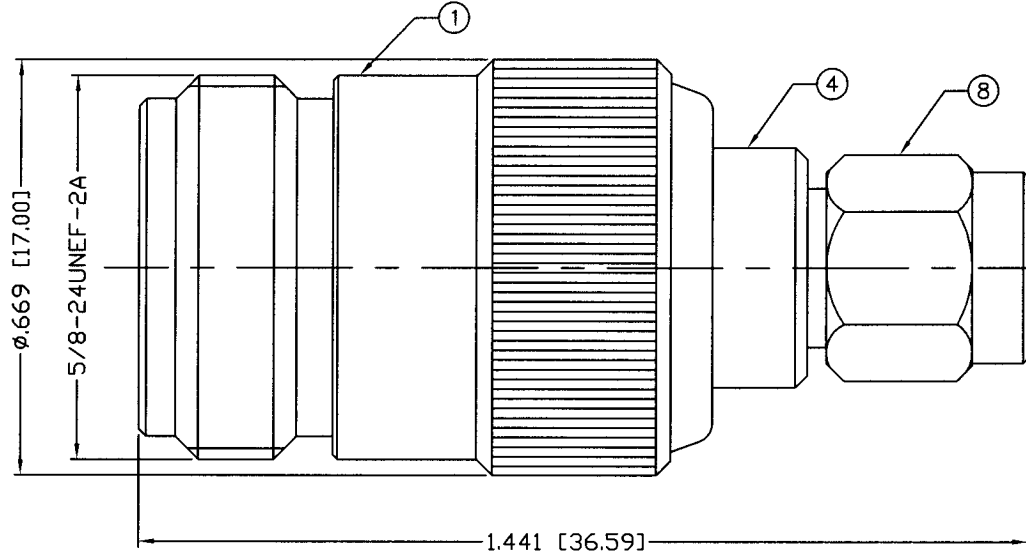
THIS DRAWING CONTAINS INFORMATION PROPRIETARY TO RF INDUSTRIES.
 ANY UNAUTHORIZED USE OF THIS DRAWING IS EXPRESSLY PROHIBITED
 WITHOUT WRITTEN PERMISSION FROM RF INDUSTRIES.
 ANY VIOLATION IS PUNISHABLE UNDER U.S. COPYRIGHT LAWS.

ALL DIMENSIONS ARE REFERENCE ONLY

PART NO.

RP-3452

REV	DESCRIPTION	DWN	DATE	APPROVED
-	ENGINEERING RELEASE	CZS	10/15/02	JDMc



SPECIFICATIONS:

IMPEDANCE: 50 Ohms
 FREQUENCY RANGE: 0-11 GHz
 WORKING VOLTAGE: 375 V rms Max. @ Sea Level
 TEMPERATURE RANGE: -65°C TO 85°C
 INSULATION RESISTANCE: 5k M Ohms min.

1	BODY	1	BRASS	NICKEL, 100μ"	008974	
2	INSULATOR	1	PTFE	----		
3	INSULATOR	1	PTFE	----		
4	SMA BODY	1	BRASS	NICKEL, 100μ"		
5	CONTACT	1	PHOS. BRONZE	GOLD, 3μ"		
6	GASKET	1	SILICONE	----		
7	RETAINING RING	1	BeCu	----		
8	SHELL	1	BRASS	NICKEL, 100μ"		
9					DRAWN C. ZUNIGA 3/22/04 CHECKED <i>JMc</i> 3/22/04 ORJ DRAWN C. ZUNIGA 3/22/04	
10						
11						
12						
13					DIMENSIONS ARE IN INCHES AND [MILLIMETERS] UNLESS OTHERWISE NOTED TOLERANCES ARE: DECIMALS DIAMETER	
14						
#	DESCRIPTION	QTY	MATERIAL	FINISH	APPROVALS	DATE

UNLESS OTHERWISE SPECIFIED:



7610 MIRAMAR RD
 SAN DIEGO, CA 92126
 (858) 549-6340
 (858) 549-6345 FAX

**N JACK TO SMA REVERSE
 POLARITY PLUG ADAPTOR**

SIZE A	CABLE GROUP N/A	DWG NO. RP-3452	REV -
SCALE: NTS		CAD FILE OUTLINE	SHEET 1 OF 1