

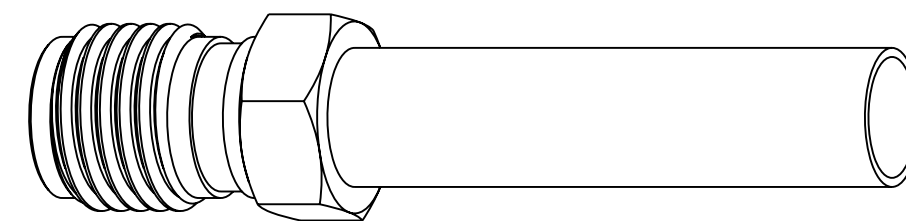
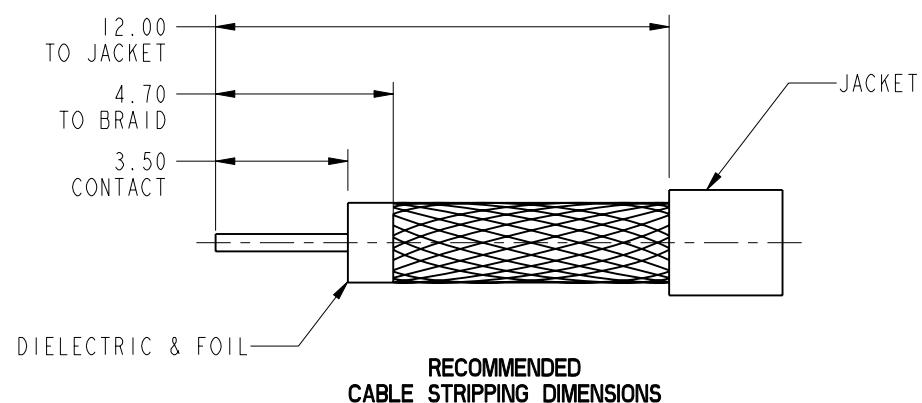
NOTES:

- MATERIALS AND FINISHES:
 - BODY - BRASS, NICKEL PLATING
 - CONTACT - BeCu, GOLD PLATING
 - INSULATOR - PTFE, NATURAL
 - INSULATOR DISC - ULTEM, NATURAL
 - FERRULE - COPPER, NICKEL PLATING
 - HEAT SHRINK TUBE - POLYOEFIN, BLACK
- ELECTRICAL:
 - A. IMPEDANCE: 50 OHM
 - B. FREQUENCY RANGE: DC - 12.4 GHz
 - C. VSWR : 1.10 MAX. DC - 6 GHz
1.20 MAX. 6 - 12.4 GHz
 - D. DIELECTRIC WITHSTANDING VOLTAGE: 500 VRMS, MIN.
- MECHANICAL:
 - A. DURABILITY: 500 CYCLES MIN.
 - B. TEMPERATURE RANGE: -65° C TO +165° C
- PACKAGING:
 - A. QUANTITY: SINGLE PACK
 - B. MARKING: BAG TO BE MARKED
"AMPHENOL RF, 901-10605, DATE CODE"
- CABLE ASSEMBLY INSTRUCTIONS:
 - A. TRIM CABLE AS SHOWN, TAKING CARE TO NOT DAMAGE THE FOIL.
 - B. SLIDE INSULATOR DISC, FERRULE AND HEAT SHRINK TUBE ONTO CABLE
 - C. SOLDER CONTACT TO CABLE CENTER CONDUCTOR
 - D. INSERT CABLE AND CONTACT INTO CONNECTOR.
FOIL IS A SLIP FIT INTO Ø1.75 BODY DIAMETER
 - E. CRIMP FERRULE WITH .128" HEX

THIRD ANGLE PROJ.

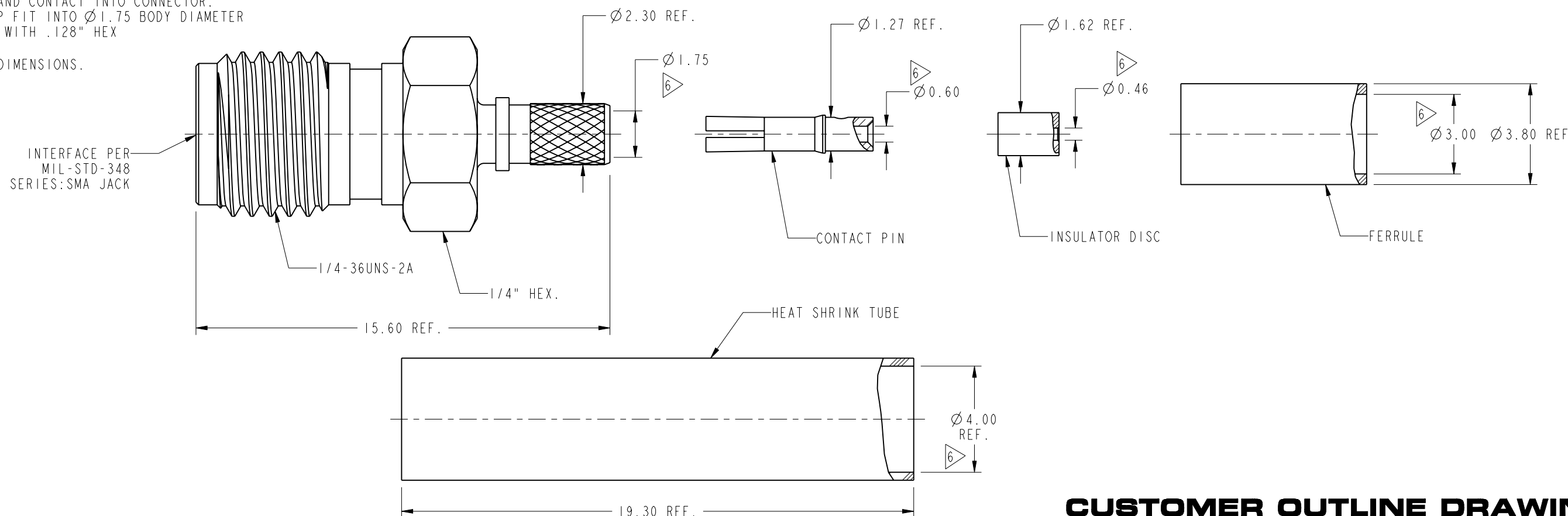
REVISIONS

REV	DESCRIPTION	DATE	ECO	APPR
A	RELEASE TO MANUFACTURING	07-May-19	11442	CJV
B	NO CHANGE THIS SHEET	03-Jun-19	11701	CJV



SCALE 4.000

SHOWS CABLE ENTRY DIMENSIONS.



CUSTOMER OUTLINE DRAWING

ALL OTHER SHEETS ARE FOR INTERNAL USE ONLY

UNLESS OTHERWISE SPECIFIED, DIMENSIONS ARE IN METRIC AND TOLERANCES ARE: <0.5mm ±0.05mm 0.5 - 6mm ±0.1mm 6 - 30mm ±0.2mm 30 - 120mm ±0.3mm ANGLES ±1°	MATERIAL	DRAWN	DATE	TITLE SMA CRIMP JACK WITH LMR-100A CABLE		Amphenol RF www.amphenolrf.com	
	SEE NOTES	W. ZENG	04-Jun-19				
NOTICE - These drawings, specifications, or other data (1) are, and remain the property of Amphenol corp. (2) must be returned upon request; and (3) are confidential and not to be disclosed to any person other than those to whom they are given by Amphenol Corp. the furnishing of these drawings, specifications, or other data by Amphenol Corp., or to any other person to anyone for any purpose is not to be regarded by implication or otherwise in any manner licensing, granting rights to permitting such holder or any other person to manufacture, use or sell any product, process or design, patented or otherwise, that may in any way be related to or disclosed by said drawings, specifications, or other data.	REFERENCE	ENGINEER	DATE	SCALE: 6.0:1.0 SHEET 2 OF 2		DRAWING NO. 901-10605 ITEM NO. 901-10605	
	EAR 7994	S. DUAN	23-May-19				
	CONFIGURATION LEVEL:	APPROVED	DATE		DWG SIZE REV B B		PART NO. 901-10605
FINISH	S. HSIEH	04-Jun-19					