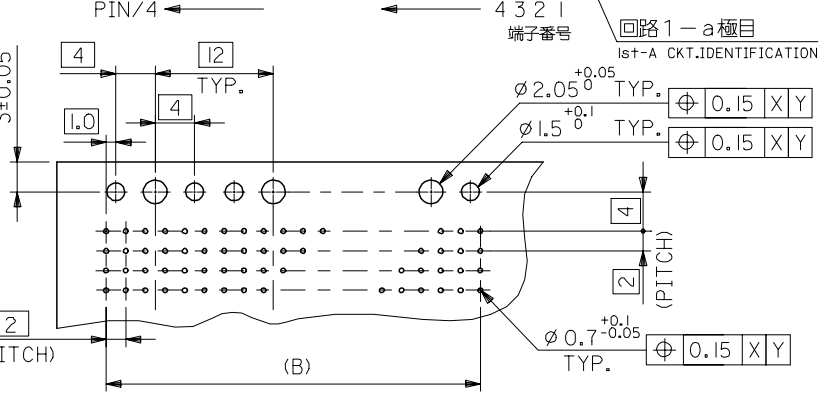
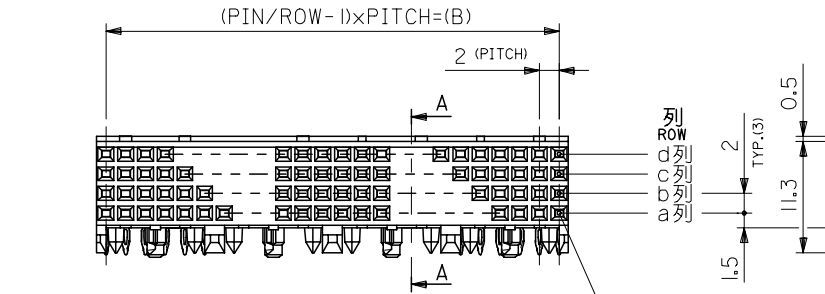
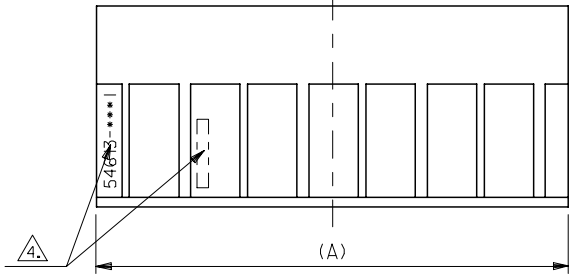
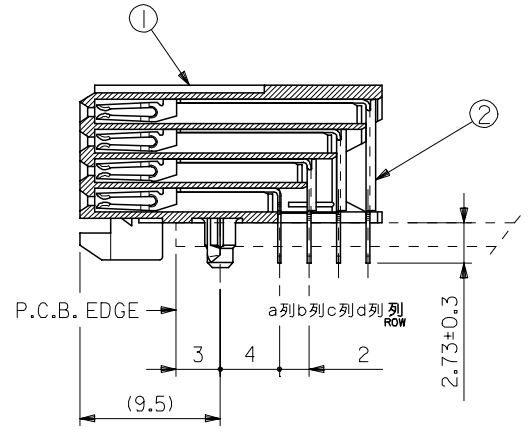


10 9 8 7 6 5 4 3 2 1

番号 No.	部品 PART NAME	材質 MATERIAL	仕上げ FINISH
①	リセプタクル ハウジング RECEPTACLE HOUSING	液晶ポリマー、ガラス充填、自然色(白)、UL94V-0 LIQUID CRYSTAL POLYMER, GLASS FILLED, NATURAL(WHITE)	—
②	リセプタクル ターミナル RECEPTACLE TERMINAL	リン青銅 PHOSPHOR BRONZE	△



基板穴推奨寸法 (部品実装)  
RECOMMENDED P.C.B. LAYOUT (COMPONENT SIDE)



A-A  
(NON-SCALE)

- 注記  
NOTE :
- △ ターミナル めっき仕様  
TERMINAL PLATING  
金めっき: 0.76µm MIN. (接点部)  
GOLD: 0.76µm MIN. (CONTACT AREA)  
半田めっき: 1.0µm MIN. (半田付け部)  
TIN-LEAD: 1.0µm MIN. (SOLDER AREA)  
ニッケルメッキ: 2.0µm MIN. (下地めっき)  
NICKEL: 1.0µm MIN. (UNDER PLATING)
  - 2. 推奨基板厚: t=1.6, 2.4mm  
RECOMMENDED P.C.B. THICKNESS: t=1.6, 2.4mm
  - 3. 適合プラグ: 53901-\*\*\*5,55222-\*\*\*5,55089-\*\*\*5  
APPLICABLE PLUG: 53901-\*\*\*5,55222-\*\*\*5,55089-\*\*\*5
  - △ 製品番号及びロットナンバー  
MATERIAL NO. & LOT NO.

94	95.98	54613-1921	192
58	59.98	54613-1201	120
46	47.98	54613-0961	96
22	23.98	54613-0481	48
B	A	MATERIAL NO.	PIN

REV	DESCRIPTION
B	REVISED
	EC NO: S54613-00175-175
	DRWN: YANG05 2007/04/10
	CHKD: HWANG 2008/06/25
	APPR: INCHEH 2007/04/18

QUALITY SYMBOLS	DESCRIPTION
▽=0	
△=0	

GENERAL TOLERANCES (UNLESS SPECIFIED)	
mm	INCH
4 PLACES ±---	±---
3 PLACES ±---	±---
2 PLACES ±0.25	±---
1 PLACE ±0.25	±---
ANGULAR ±3°	

DIMENSION STYLE	
MM ONLY	
DRAWN BY	DATE
S. SHOSHIKAWA	1999/08/23
CHECKED BY	DATE
A. NODA	1999/08/23
APPROVED BY	DATE
H. IKESUGI	1999/08/23
MATERIAL NO.	
SEE TABLE	

SCALE	DESIGN UNITS	THIRD ANGLE PROJECTION	
2:1	METRIC		
TITLE			
MFB B/B(FB+)REC ASSY 4ROWS PRESS-FIT			
MOLEX MOLEX INCORPORATED			
DOCUMENT NO.			SHEET NO.
SD-54613-001			1 OF 1

DRAFT WHERE APPLICABLE MUST REMAIN WITHIN DIMENSIONS

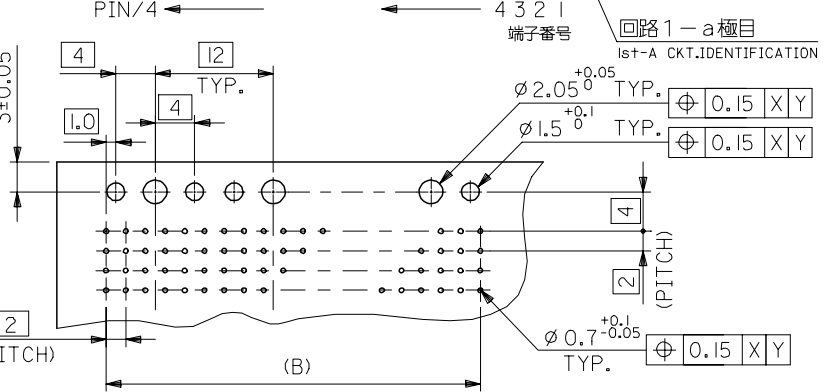
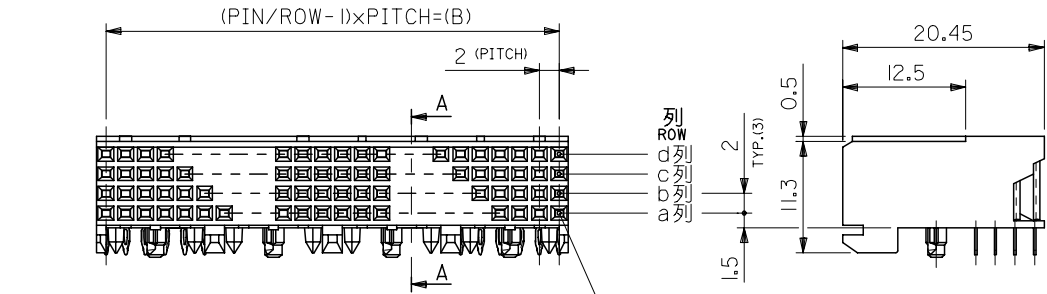
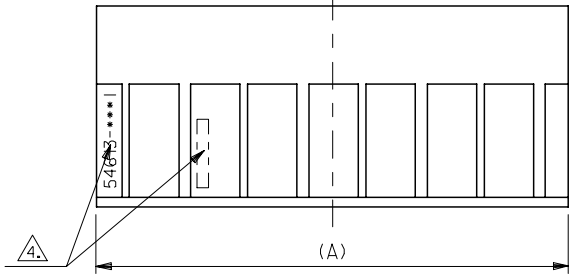
SIZE A3

THIS DRAWING CONTAINS INFORMATION THAT IS PROPRIETARY TO MOLEX INCORPORATED AND SHOULD NOT BE USED WITHOUT WRITTEN PERMISSION

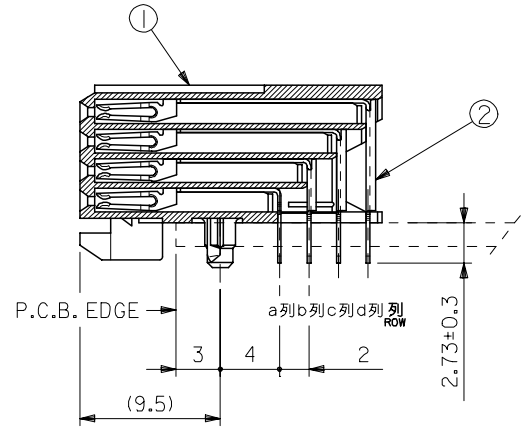
9 8 7 6 5 4 3 2 1

10 9 8 7 6 5 4 3 2 1

番号 No.	部品 PART NAME	材質 MATERIAL	仕上げ FINISH
①	リセプタクル ハウジング RECEPTACLE HOUSING	液晶ポリマー、ガラス充填、自然色(白)、UL94V-0 LIQUID CRYSTAL POLYMER, GLASS FILLED, NATURAL(WHITE)	—
②	リセプタクル ターミナル RECEPTACLE TERMINAL	リン青銅 PHOSPHOR BRONZE	⚠



基板穴推奨寸法 (部品実装)  
RECOMMENDED P.C.B. LAYOUT (COMPONENT SIDE)



A-A  
(NON-SCALE)

- 注記  
NOTE :
- ⚠ ターミナル めっき仕様  
TERMINAL PLATING  
金めっき: 0.76µm MIN. (接点部)  
GOLD: 0.76µm MIN. (CONTACT AREA)  
半田めっき: 1.0µm MIN. (半田付け部)  
TIN-LEAD: 1.0µm MIN. (SOLDER AREA)  
ニッケルメッキ: 2.0µm MIN. (下地めっき)  
NICKEL: 1.0µm MIN. (UNDER PLATING)
  - 2. 推奨基板厚: t=1.6, 2.4mm  
RECOMMENDED P.C.B. THICKNESS: t=1.6, 2.4mm
  - 3. 適合プラグ: 53901-\*\*\*5,55222-\*\*\*5,55089-\*\*\*5  
APPLICABLE PLUG: 53901-\*\*\*5,55222-\*\*\*5,55089-\*\*\*5
  - ⚠ 製品番号及びロットナンバー  
MATERIAL NO. & LOT NO.

94	95.98	54613-1921	192
58	59.98	54613-1201	120
46	47.98	54613-0961	96
22	23.98	54613-0481	48
B	A	MATERIAL NO.	PIN

REV	DESCRIPTION
B	REVISED
	EC NO: S54613-00175-175
	DRWN: YANG05 2007/04/10
	CHKD: HWANG 2008/06/25
	APPR: INCHEM 2007/04/18

QUALITY SYMBOLS	DESCRIPTION
▽=0	
△=0	

GENERAL TOLERANCES (UNLESS SPECIFIED)	
mm	INCH
4 PLACES ±---	±---
3 PLACES ±---	±---
2 PLACES ±0.25	±---
1 PLACE ±0.25	±---
ANGULAR ±3°	

DIMENSION STYLE	
MM ONLY	
DRAWN BY	DATE
S. SHOSHIKAWA	1999/08/23
CHECKED BY	DATE
A. NODA	1999/08/23
APPROVED BY	DATE
H. IKESUGI	1999/08/23
MATERIAL NO.	
SEE TABLE	

SCALE	DESIGN UNITS	THIRD ANGLE PROJECTION	
2:1	METRIC		
TITLE			
MFB B/B(FB+)REC ASSY 4ROWS PRESS-FIT			
MOLEX MOLEX INCORPORATED			
DOCUMENT NO.			SHEET NO.
SD-54613-001			1 OF 1
DRAFT WHERE APPLICABLE MUST REMAIN WITHIN DIMENSIONS			
THIS DRAWING CONTAINS INFORMATION THAT IS PROPRIETARY TO MOLEX INCORPORATED AND SHOULD NOT BE USED WITHOUT WRITTEN PERMISSION			

9 8 7 6 5 4 3 2 1