

**FEATURES:**

- Low ON resistance:  $r_{DS(ON)} = 5\Omega$
- Fast transition time:  $t_{TRAN} = 6ns$
- Wide bandwidth: 830MHz (-3dB point)
- Crosstalk: -115dB at 50KHz, -100dB at 5MHz, -66dB at 30MHz
- Off-isolation: -90dB at 50KHz, -60dB at 5MHz, -50dB at 30MHz
- Single 5V supply
- Can be used as multiplexer or demultiplexer
- TTL-compatible control inputs
- Ultra-low quiescent current: 3µA
- Available in QSOP package

**APPLICATIONS:**

- High-speed video signal switching/routing
- HDTV-quality video signal routing
- Audio signal switching/routing
- Data acquisition
- ATE systems
- Telecomm routing
- Switch between multiple video sources
- Token Ring transceivers
- High-speed networking

**DESCRIPTION:**

The QS4A205 is a high-performance CMOS analog Four-Channel SPDT multiplexer/demultiplexer with individual enables. The low On-resistance of the QS4A205 allows inputs to be connected to outputs with low insertion loss and high bandwidth. TTL-compatible control circuitry with “Break-Before-Make” feature prevents contention.

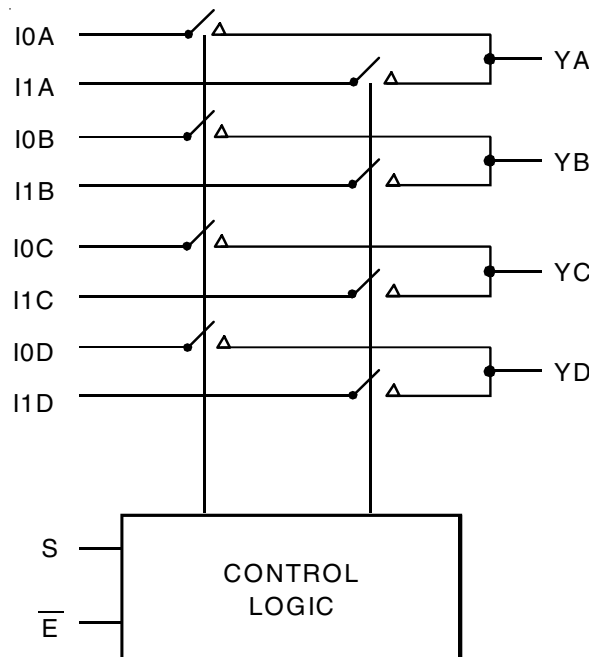
The QS4A205 with 830MHz bandwidth makes it ideal for high-performance video signal switching, audio signal switching, and telecomm routing applications. High performance and low power dissipation makes this device ideal for battery operated and remote instrumentation applications.

The QS4A205 is offered in the QSOP package and has several advantages over conventional packages such as PDIP and SOIC including:

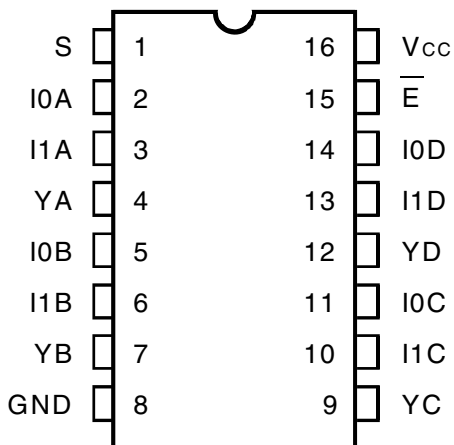
- Reduced signal delays due to denser component packaging on circuit boards
- Reduced system noise due to less pin inductance resulting in lower ground bounce

The QS4A205 is characterized for operation at -40°C to +85°C.

**FUNCTIONAL BLOCK DIAGRAM**



## PIN CONFIGURATION



QSOP  
TOP VIEW

## ABSOLUTE MAXIMUM RATINGS(1)

Symbol	Description	Max	Unit
VTERM <sup>(2)</sup>	Supply Voltage to Ground	-0.5 to +7	V
VTERM <sup>(3)</sup>	DC Switch Voltage Vs	-0.5 to +7	V
—	Analog Input Voltage	-0.5 to +7	V
VTERM <sup>(3)</sup>	DC Input Voltage VIN	-0.5 to +7	V
VAC	AC Input Voltage (pulse width ≤20ns)	-3	V
IOUT	DC Output Current	120	mA
PMAX	Maximum Power Dissipation	0.7	W
TSTG	Storage Temperature	-65 to +150	°C

### NOTES:

- Stresses greater than those listed under ABSOLUTE MAXIMUM RATINGS may cause permanent damage to the device. This is a stress rating only and functional operation of the device at these or any other conditions above those indicated in the operational sections of this specification is not implied. Exposure to absolute maximum rating conditions for extended periods may affect reliability.
- V<sub>CC</sub> terminals.
- All terminals except V<sub>CC</sub>.

## CAPACITANCE (TA = +25°C, f = 1MHz, VIN = 0V, VOUT = 0V)

Symbol	Parameter <sup>(1)</sup>	Conditions	Typ.	Max.	Unit
CMUX(OFF)	MUX Off Capacitance	$\bar{E} = V_{CC}, V_{IN} = V_{OUT} = 0V$	5.6	—	pF
CDEMUX(OFF)	DEMUX Off Capacitance	$\bar{E} = V_{CC}, V_{IN} = V_{OUT} = 0V$	7.4	—	pF
CMUX(ON)	MUX On Capacitance	$\bar{E} = 0V, V_{IN} = V_{OUT} = 0V$	12	—	pF
CDEMUX(ON)	DEMUX On Capacitance	$\bar{E} = 0V, V_{IN} = V_{OUT} = 0V$	15	—	pF

### NOTE:

- As applicable to the device type.

## PIN DESCRIPTION

Pin Names	I/O	Description
IxA	I/O	Demux Port A
IxB	I/O	Demux Port B
IxC	I/O	Demux Port C
IxD	I/O	Demux Port D
$\bar{E}$	I	Enable Input
S	I	Select Input
YA-YD	I/O	Mux Port A-D

## FUNCTION TABLE(1)

Enable	Select	MUX/DEMUX Ports				Function
		$\bar{E}$	S	YA	YB	
H	X	Z	Z	Z	Z	Disable
L	L	I0A	I0B	I0C	I0D	Select 0
L	H	I1A	I1B	I1C	I1D	Select 1

### NOTE:

- H = HIGH Voltage Level  
L = LOW Voltage Level  
X = Don't Care  
Z = High-Impedance

## DC ELECTRICAL CHARACTERISTICS OVER OPERATING RANGE

Following Conditions Apply Unless Otherwise Specified:

Industrial:  $T_A = -40^{\circ}\text{C}$  to  $+85^{\circ}\text{C}$ ,  $V_{CC} = 5\text{V} \pm 5\%$

Symbol	Parameter	Test Conditions	Min.	Typ. <sup>(1)</sup>	Max.	Unit
<b>Analog Switch</b>						
$V_{IN}$	Analog Signal Range <sup>(2)</sup>		-0.5	1	$V_{CC} - 1$	V
$r_{DS(ON)}$	Drain-source ON resistance <sup>(2,3)</sup>	$V_{CC} = \text{Min.}, V_{IN} = 0\text{V}, I_{ON} = 30\text{mA}$	—	5	7	$\Omega$
		$V_{CC} = \text{Min.}, V_{IN} = 2.4\text{V}, I_{ON} = 15\text{mA}$	—	13	17	
$I_{C(OFF)}$	Channel Off Leakage Current	$I_N = V_{CC}$ or $0\text{V}$ ; $Y_N = 0\text{V}$ or $V_{CC}$ ; $\bar{E} = V_{CC}$	—	2	—	nA
$I_{C(ON)}$	Channel On Leakage Current	$I_N = Y_N = 0\text{V}$ (each channel is turned on sequentially)	—	2	—	nA
<b>Digital Control</b>						
$V_{IH}$	Input HIGH Voltage	Guaranteed Logic HIGH for Control Pins	2	—	—	V
$V_{IL}$	Input LOW Voltage	Guaranteed Logic LOW for Control Pins	—	—	0.8	V
<b>Dynamic Characteristics</b>						
$t_{TRANS}$	Switching Time of MUX S to Y	$R_L = 1\text{K}\Omega, C_L = 100\text{pF}$	0.5	—	6.6	ns
$t_{ON(\bar{E})}$	Enable Turn-On Time, $\bar{E}$ to Y	$R_L = 1\text{K}\Omega, C_L = 100\text{pF}$	0.5	—	6	ns
$t_{OFF(\bar{E})}$	Enable Turn-Off Time, $\bar{E}$ to Y	$R_L = 1\text{K}\Omega, C_L = 100\text{pF}$	0.5	—	6	ns
$t_{PD}$	Group Delay <sup>(2,4)</sup>	$R_L = 1\text{K}\Omega, C_L = 100\text{pF}$	—	—	250	ps
$f_{3dB}$	-3dB Bandwidth	$V_{IN} = 1\text{Vp-p}, R_L = 75\Omega$	—	830	—	MHz
	Off-isolation	$V_{IN} = 1\text{Vp-p}, R_L = 75\Omega, f = 5\text{MHz}$	—	-60	—	dB
X TALK	Crosstalk	$V_{IN} = 1\text{Vp-p}, R_L = 75\Omega, f = 5\text{MHz}$	—	-100	—	dB
QCI	Charge Injection		—	1.5	—	pC

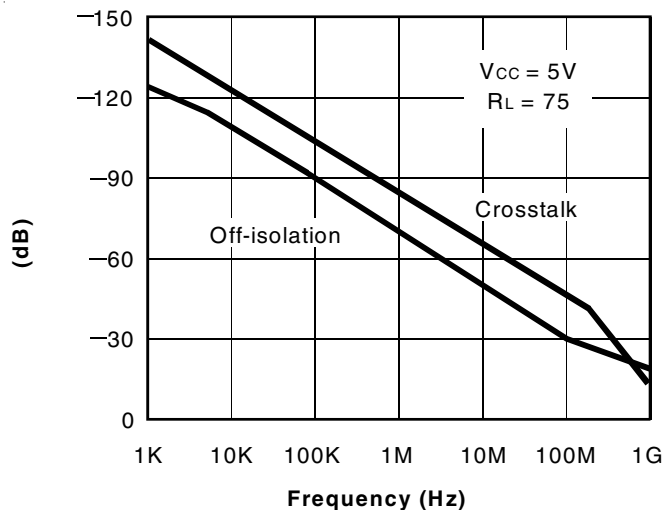
### NOTES:

- Typical values are at  $V_{CC} = 5.0\text{V}$ ,  $T_A = 25^{\circ}\text{C}$ .
- Max value is guaranteed but not production tested.
- Measured by voltage drop between A and C pins or B and D pins at indicated current through the switch. ON resistance is determined by the lower of the voltages on the two (A, C, or B, D) pins.
- The bus switch contributes no group delay other than the RC delay of the ON resistance of the switch and load capacitance. Group delay of the bus switch, when used in a system, is determined by the driving circuit on the driving side of the switch and its interaction with the load on the driven side.

## POWER SUPPLY CHARACTERISTICS

Symbol	Parameter	Test Conditions	Max.	Unit
$I_{CCQ}$	Quiescent Power	$V_{CC} = \text{Max.}, V_{IN} = \text{GND}$ or $V_{CC}, f = 0$	3	$\mu\text{A}$

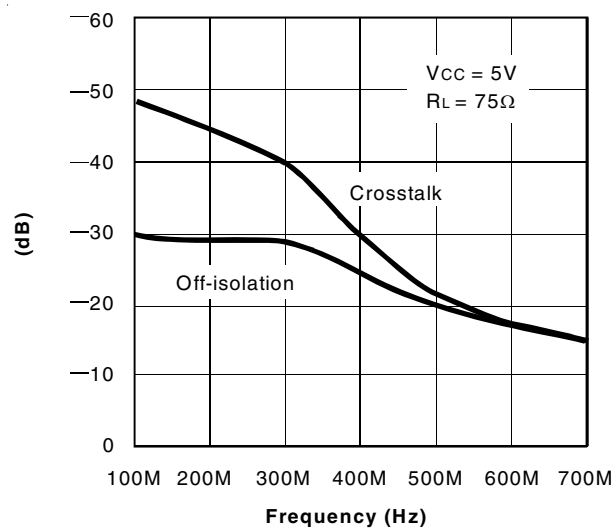
## TYPICAL CHARACTERISTICS



Off-isolation and Crosstalk vs. Frequency

**NOTES:**

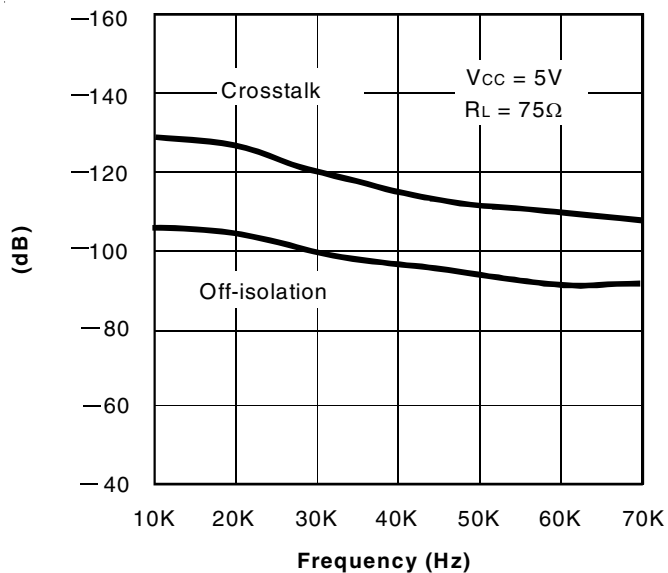
1. Crosstalk =  $20 \log |V_o/V_s|$
2. Off-isolation =  $20 \log |V_o/V_s|$



Off-isolation and Crosstalk vs. Frequency

**NOTES:**

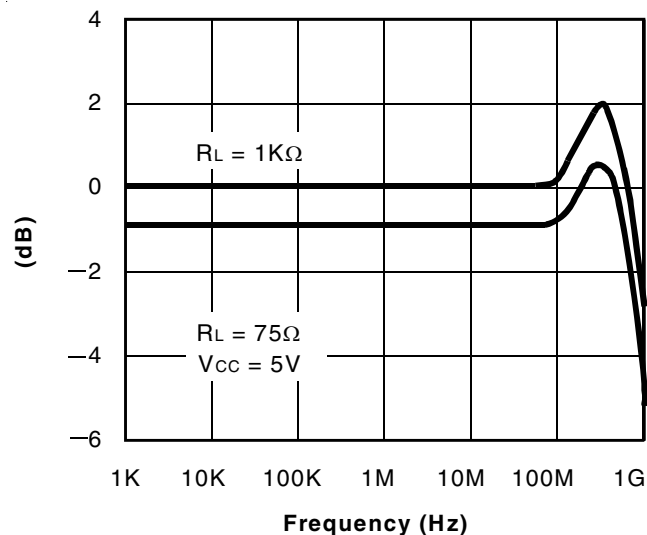
1. Crosstalk =  $20 \log |V_o/V_s|$
2. Off-isolation =  $20 \log |V_o/V_s|$



Off-isolation and Crosstalk vs. Frequency

**NOTES:**

1. Crosstalk =  $20 \log |V_o/V_s|$
2. Off-isolation =  $20 \log |V_o/V_s|$

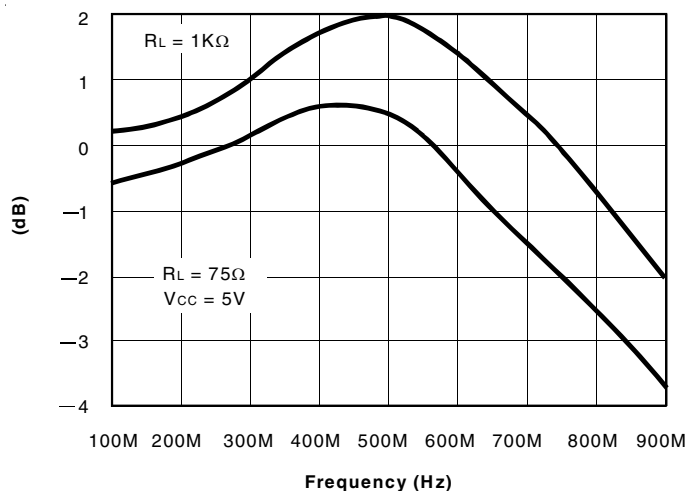


Insertion Loss vs. Frequency

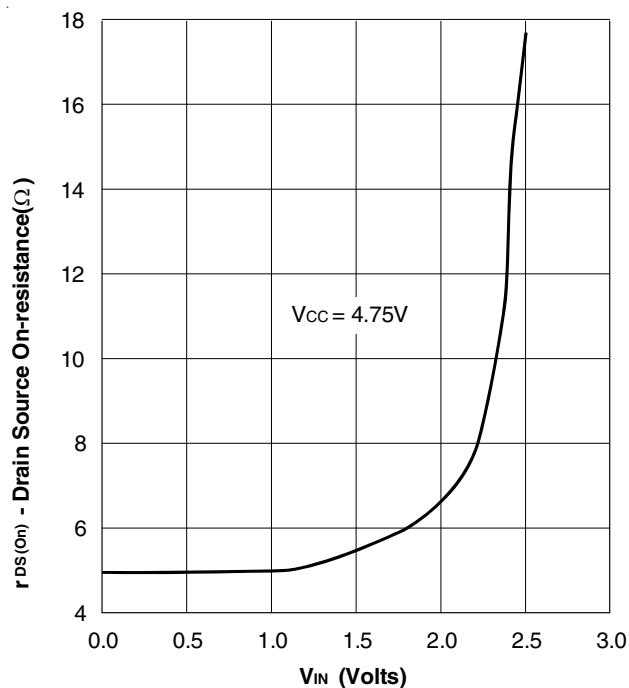
**NOTE:**

1. Insertion Loss =  $20 \log |V_o/V_s|$

## TYPICAL CHARACTERISTICS (CONTINUED)



Insertion Loss vs. Frequency

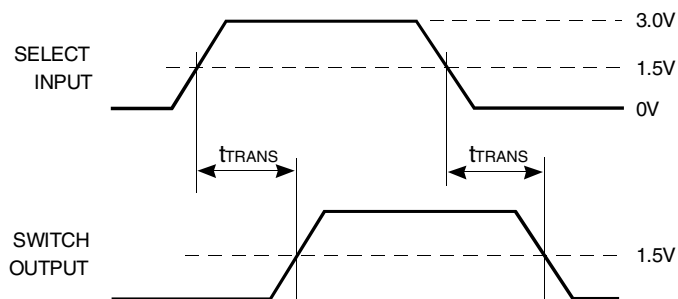
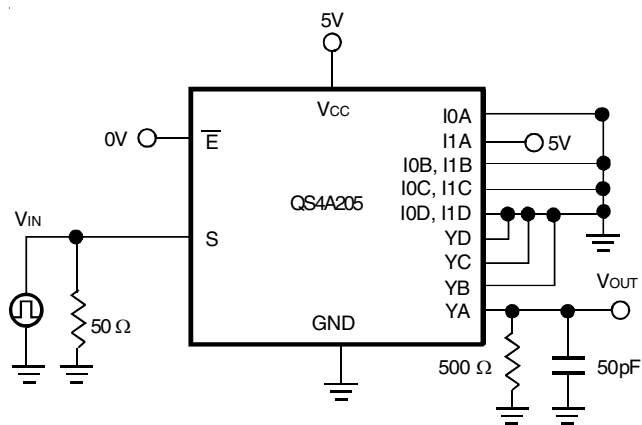


On-Resistance vs. VIN

NOTE:  
1. Insertion Loss =  $20 \log |V_o/V_s|$

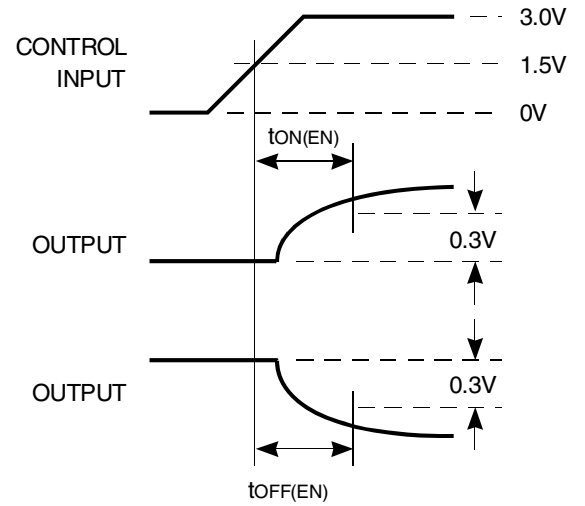
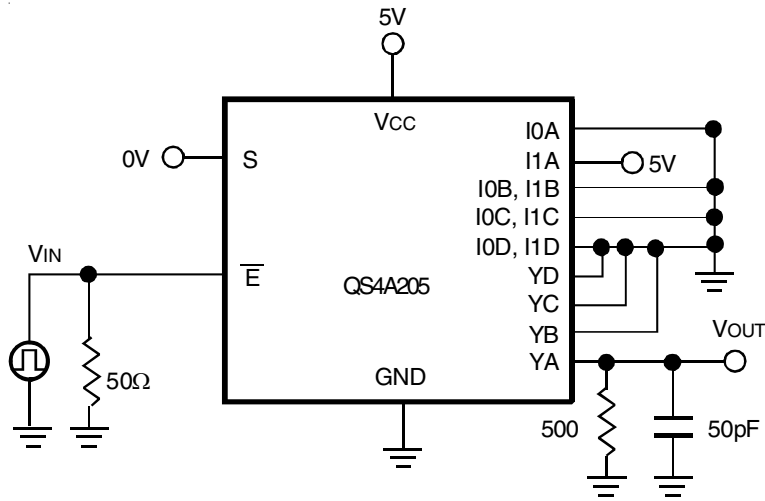
RON LINK

## TEST CIRCUITS

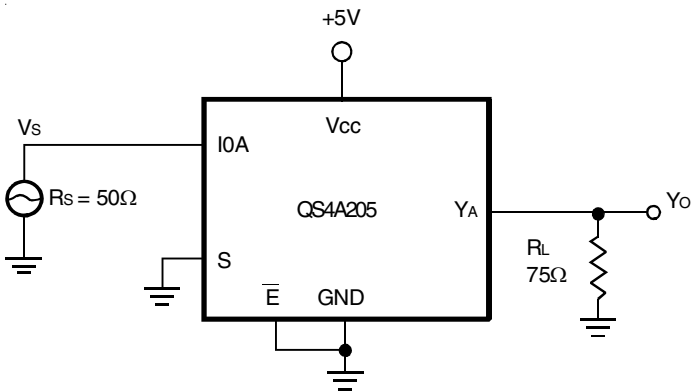


Transition Time

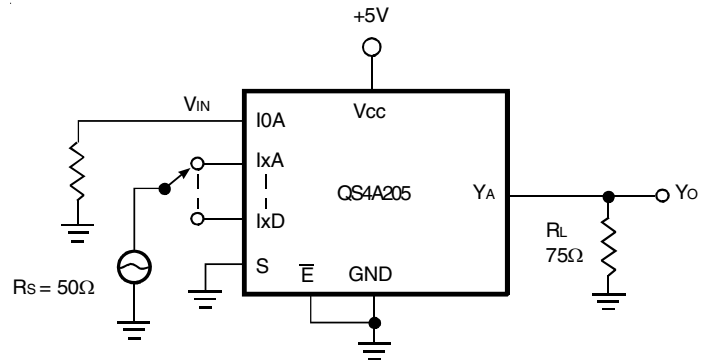
## TEST CIRCUITS (CONTINUED)



Enable Switching Time



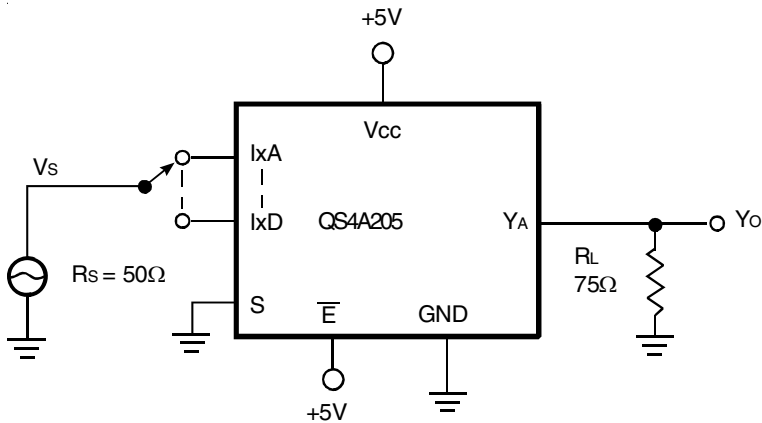
Insertion Loss



Crosstalk

NOTE:  
1. Insertion Loss =  $20 \log |V_o/V_s|$

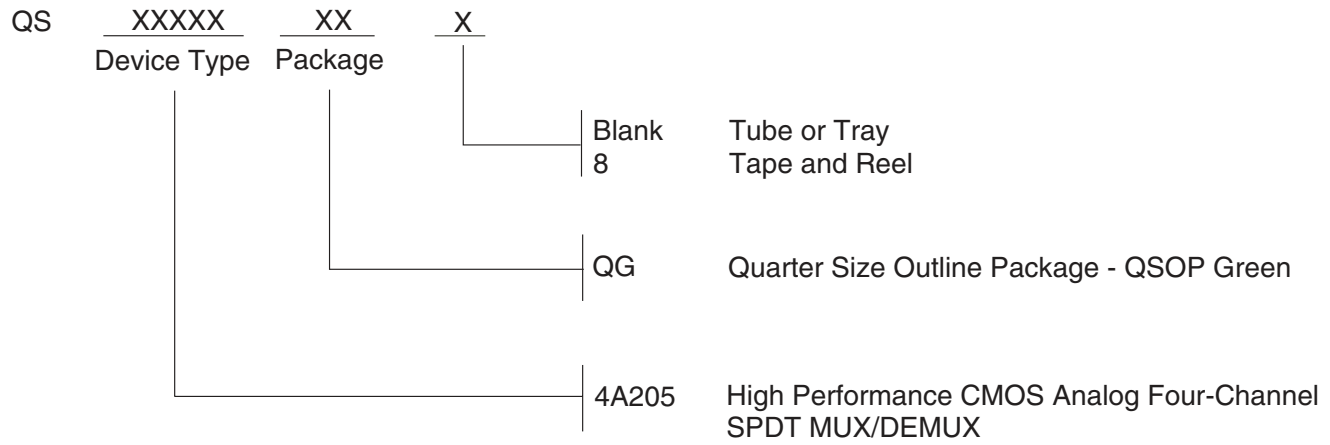
NOTE:  
1. Crosstalk =  $20 \log |V_o/V_s|$



Off-Isolation

NOTE:  
1. Off-isolation =  $20 \log |V_o/V_s|$

## ORDERING INFORMATION



## IMPORTANT NOTICE AND DISCLAIMER

RENESAS ELECTRONICS CORPORATION AND ITS SUBSIDIARIES (“RENESAS”) PROVIDES TECHNICAL SPECIFICATIONS AND RELIABILITY DATA (INCLUDING DATASHEETS), DESIGN RESOURCES (INCLUDING REFERENCE DESIGNS), APPLICATION OR OTHER DESIGN ADVICE, WEB TOOLS, SAFETY INFORMATION, AND OTHER RESOURCES “AS IS” AND WITH ALL FAULTS, AND DISCLAIMS ALL WARRANTIES, EXPRESS OR IMPLIED, INCLUDING, WITHOUT LIMITATION, ANY IMPLIED WARRANTIES OF MERCHANTABILITY, FITNESS FOR A PARTICULAR PURPOSE, OR NON-INFRINGEMENT OF THIRD PARTY INTELLECTUAL PROPERTY RIGHTS.

These resources are intended for developers skilled in the art designing with Renesas products. You are solely responsible for (1) selecting the appropriate products for your application, (2) designing, validating, and testing your application, and (3) ensuring your application meets applicable standards, and any other safety, security, or other requirements. These resources are subject to change without notice. Renesas grants you permission to use these resources only for development of an application that uses Renesas products. Other reproduction or use of these resources is strictly prohibited. No license is granted to any other Renesas intellectual property or to any third party intellectual property. Renesas disclaims responsibility for, and you will fully indemnify Renesas and its representatives against, any claims, damages, costs, losses, or liabilities arising out of your use of these resources. Renesas' products are provided only subject to Renesas' Terms and Conditions of Sale or other applicable terms agreed to in writing. No use of any Renesas resources expands or otherwise alters any applicable warranties or warranty disclaimers for these products.

(Disclaimer Rev.1.0 Mar 2020)

### Corporate Headquarters

TOYOSU FORESIA, 3-2-24 Toyosu,  
Koto-ku, Tokyo 135-0061, Japan  
[www.renesas.com](http://www.renesas.com)

### Contact Information

For further information on a product, technology, the most up-to-date version of a document, or your nearest sales office, please visit:  
[www.renesas.com/contact/](http://www.renesas.com/contact/)

### Trademarks

Renesas and the Renesas logo are trademarks of Renesas Electronics Corporation. All trademarks and registered trademarks are the property of their respective owners.