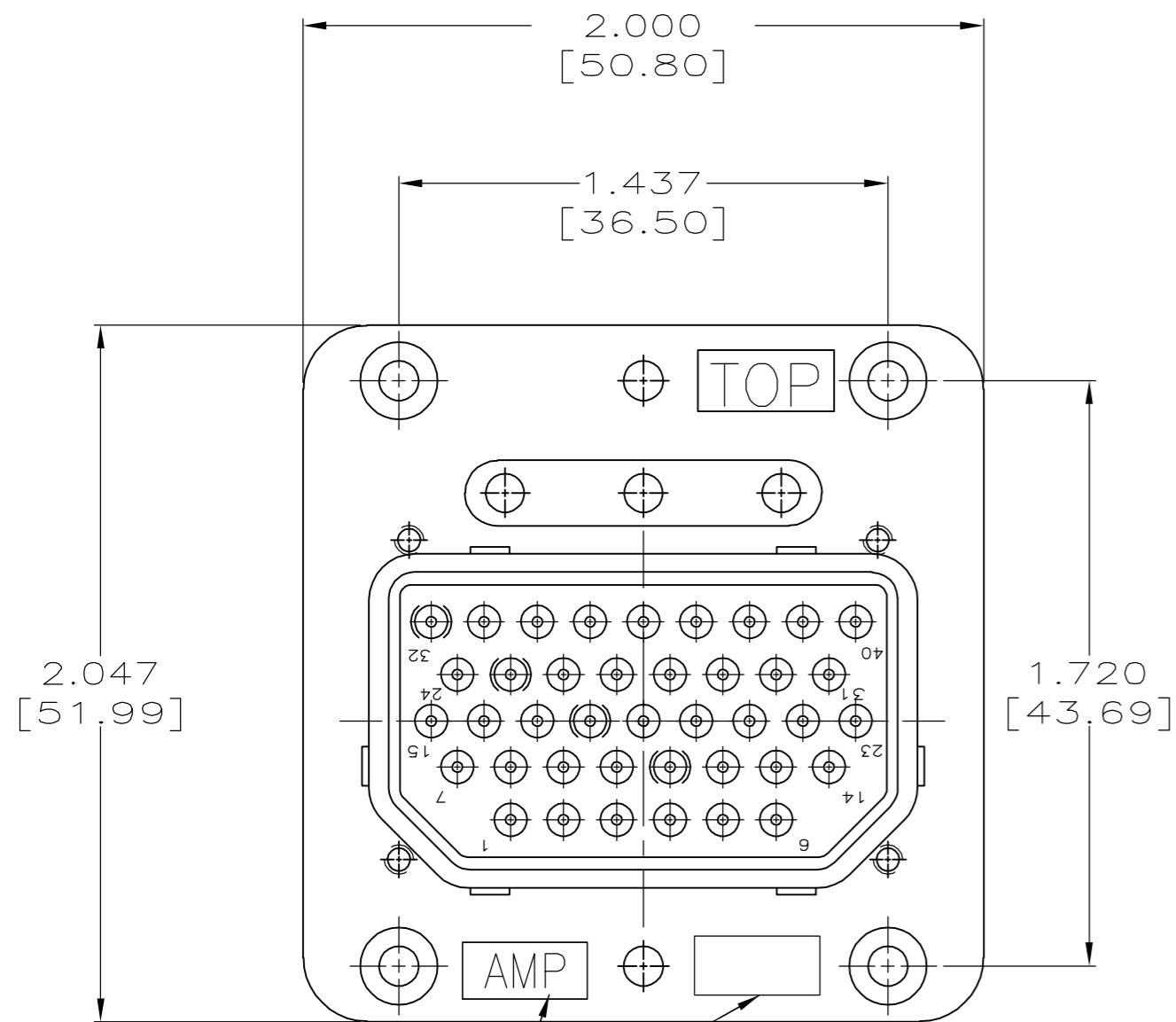


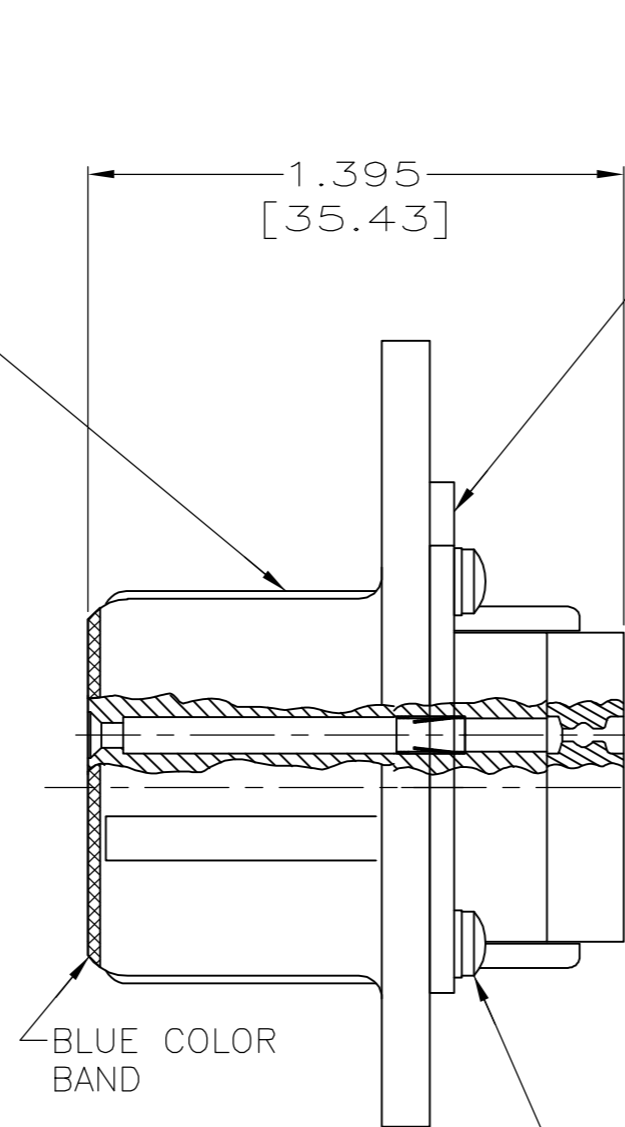
THIS DRAWING IS UNPUBLISHED. RELEASED FOR PUBLICATION  
 © COPYRIGHT BY TYCO ELECTRONICS CORPORATION. ALL RIGHTS RESERVED.

| LOC |     | DIST                 |  | REVISIONS |     |      |  |
|-----|-----|----------------------|--|-----------|-----|------|--|
| P   | LTR | DESCRIPTION          |  | DATE      | DWN | APVD |  |
|     | B   | REV PER OH14-0208-04 |  | 22SEP05   | TK  | CT   |  |

⚠ MARK AMP, AMP PART NUMBER AND DATE CODE IN AREA SHOWN.

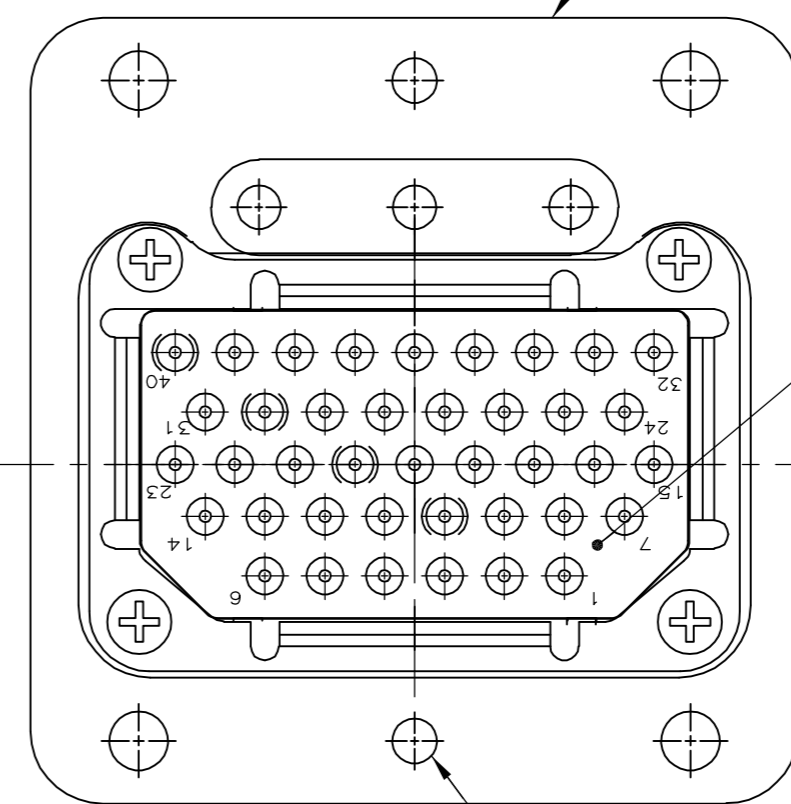


⚠  
1  
PART  
NUMBER



RETAINER PLATE  
MATL: ALUMINUM ALLOY  
FINISH: BLUE ANODIZED

PLUG SHELL  
MATL: ALUMINUM ALLOY  
FINISH: CADMIUM PLATED, YELLOW CHROMATE



40S INSERT  
MATL: EPOXY MLDG CMPD

SCREWS & LOCKWASHERS  
MATL: STAINLESS STEEL  
FINISH: PASSIVATED

⚠  
1  
DATE  
CODE

|  |  |                               |   |  |           |            |
|--|--|-------------------------------|---|--|-----------|------------|
| THIS DRAWING IS A CONTROLLED DOCUMENT.   |  | DWN<br>T. THOMPSON<br>17JUN98 | <br>Tyco Electronics Corporation<br>Harrisburg, PA 17105-3608 | NAME                                       |           |            |
| DIMENSIONS:<br>INCHES  |  | CHK<br>J. WEAVER<br>17JUN98   |   | PLUG ASSY, ARINC 404<br>MME1P40S-0300(201) |           |            |
| TOLERANCES UNLESS OTHERWISE SPECIFIED:   |  | APVD<br>J. WEAVER<br>17JUN98  |   | SIZE                                       | CAGE CODE | DRAWING NO |
| 0 PLC ± -<br>1 PLC ± -<br>2 PLC ± -<br>3 PLC ± .005[0.13]<br>4 PLC ± -<br>ANGLES ± -<br>FINISH - |  | PRODUCT SPEC                  |   | A2   | 00779     | C=1218230  |
| MATERIAL   |  | APPLICATION SPEC              | RESTRICTED TO   | SCALE 2:1 SHEET 1 of 1 REV B               |           |            |
|  |  | WEIGHT -                      | CUSTOMER DRAWING  |  |           |            |