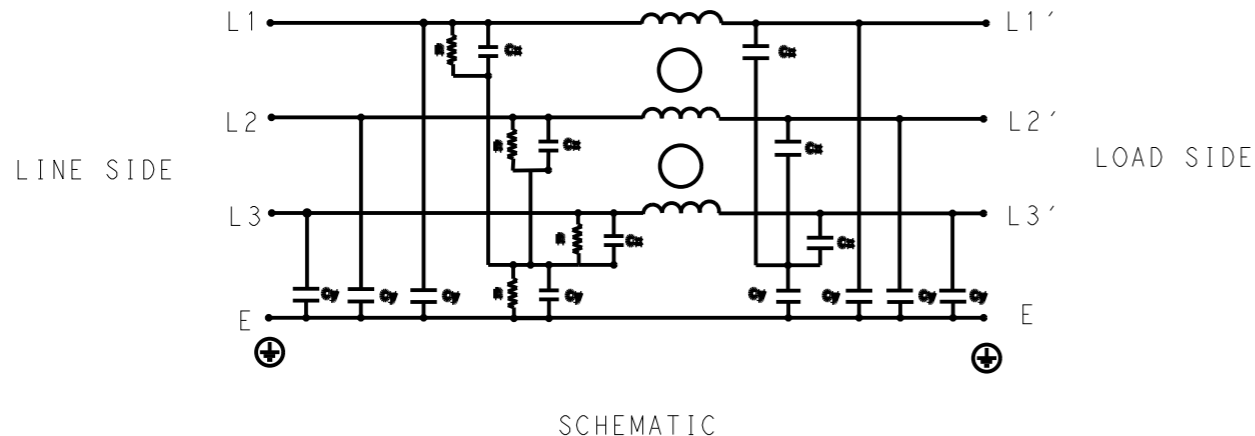


P	LTR	DESCRIPTION	DATE	DWN	APVD
	A	INITIAL RELEASE	03APR2021	BS	CB



SAFETY ORGANIZATIONS

THIS FILTER WILL BE FORMALLY RECOGNIZED, CERTIFIED OR APPROVED BY THE LISTED AGENCY. THEREFORE, ALL TEST/REQUIREMENTS SPECIFIED IN THE LATEST REVISION OF THE FOLLOWING AGENCY STANDARDS WILL BE MET:

UL APPROVED 16A 440V 50Hz/60Hz 40°C
 CSA APPROVED 16A 440V 50Hz/60Hz 40°C

OPERATING SPECIFICATION

LINE CURRENT/VOLTAGE: 16A, 440VAC
 LINE FREQUENCY: 50/60Hz

MAXIMUM LEAKAGE CURRENT: 18mA @ 230VAC, 50Hz

OPERATING AMBIENT TEMPERATURE RANGE @ RATED CURRENT: -25°C TO +40°C

IN AN AMBIENT, T_a, HIGHER THAN 40°C, THE MAXIMUM OPERATING CURRENT, I_o, IS AS FOLLOWS:

$$I_o = I_r \sqrt{\frac{85 - T_a}{45}}$$

RELIABILITY SPECIFICATIONS

STORAGE TEMPERATURE: -40°C TO +85°C
 HUMIDITY: 21 DAYS @ 40°C AND 95% RH

TEST SPECIFICATIONS

INDUCTANCE, NOMINAL: 5mH

CAPACITANCE @ 1kHz

LINE TO GROUND, NOMINAL: 1.58µF
 LINE TO LINE, NOMINAL: 2.5µF

DISCHARGE RESISTOR

L/G I.R. 1MΩ 1W
 L/L I.R. 2MΩ 1W
 L/N I.R. XXX
 N/G I.R. XXX
 IR (NO DISCHARGE RESISTOR) 20°C, 50% RH AND 100VDC, MIN: 6MΩ

RECOMMENDED RECEIVING INSPECITON HIPOT

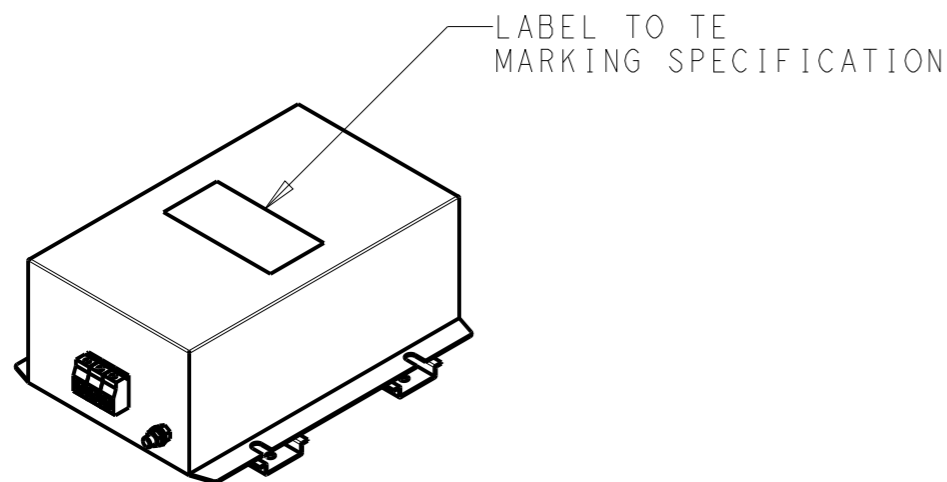
LINE TO GROUND FOR 1 MINUTE: 2632VDC
 LINE TO LINE FOR 1 MINUTE: 1892VDC

FILTER APPROVAL

THE BEST WAY TO SELECT AND QUALIFY A FILTER IS FOR YOUR ENGINEERING TO TEST THE UNIT IN YOUR EQUIPMENT.

TYPICAL INSERTION LOSS
 COMMON MODE 50/50Ω; DIFFERENTIAL MODE 50/50Ω

MHz	0.01	0.05	0.15	0.5	1	3	5	10	30
CM	57	55	56	54	49	41	37	32	29
DM	35	37	46	55	48	38	35	29	26



THIS DRAWING IS A CONTROLLED DOCUMENT.		DWN 03APR2021 BAPAT SAHAS	TE TE Connectivity			
DIMENSIONS: mm		CHK 03APR2021 CHRIS BOLLE				
TOLERANCES UNLESS OTHERWISE SPECIFIED:		APVD 03APR2021 CHRIS BOLLE	NAME POWER LINE FILTER FOR DIN 35 RAIL INSTALLATION 16KEMS10AFPDHM			
0 PLC ±-		PRODUCT SPEC				
1 PLC ±0.5		APPLICATION SPEC	SIZE	CAGE CODE	DRAWING NO	RESTRICTED TO
2 PLC ±0.40		WEIGHT	A3	00779	7-1609967-6	-
3 PLC ±0.130		CUSTOMER DRAWING	SCALE 1:4		SHEET 1 OF 2	REV A
4 PLC ±0.0500						
ANGLES ±-						
MATERIAL						
FINISH						

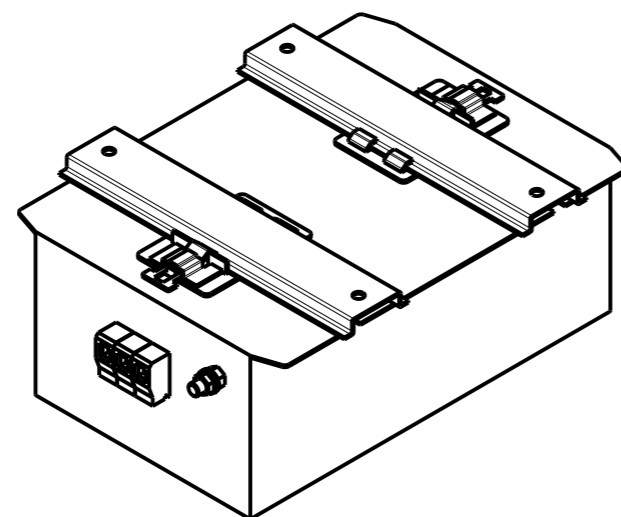
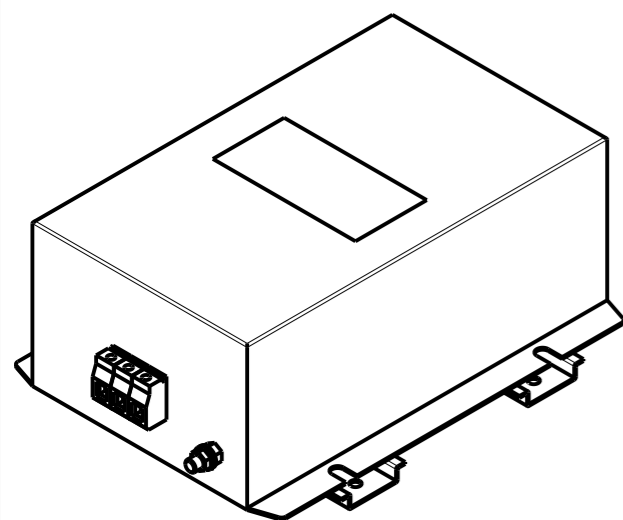
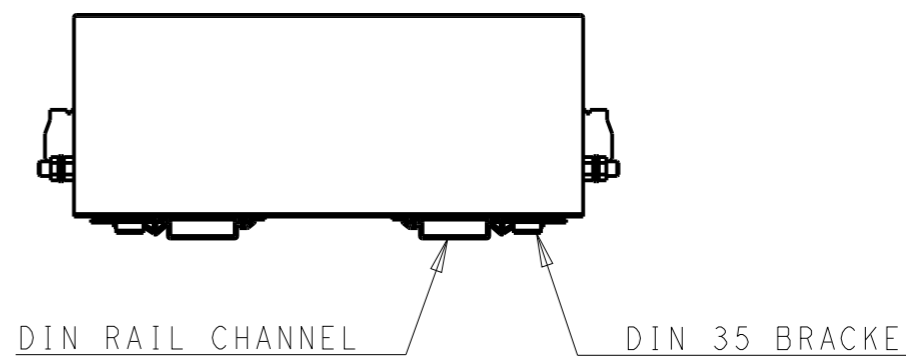
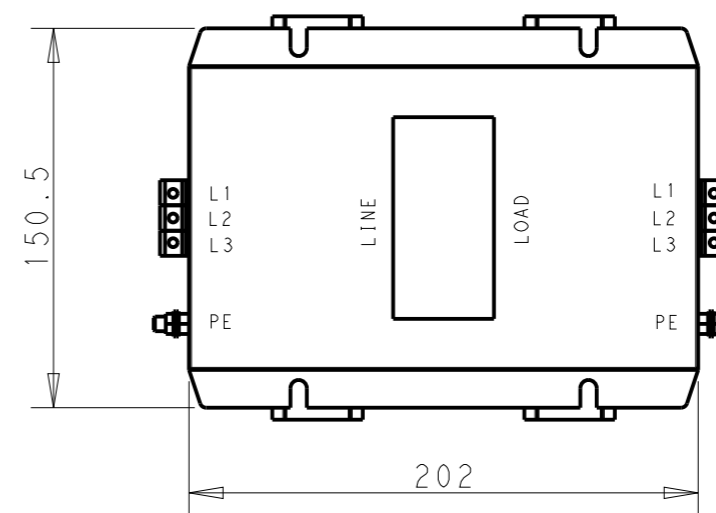
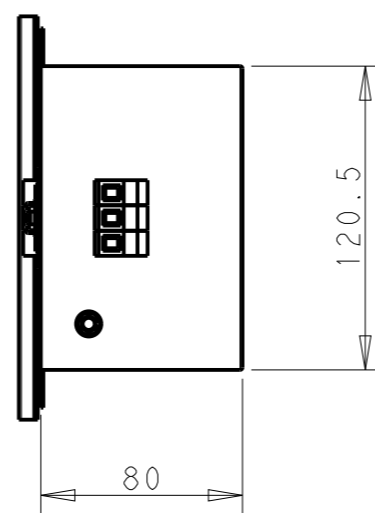
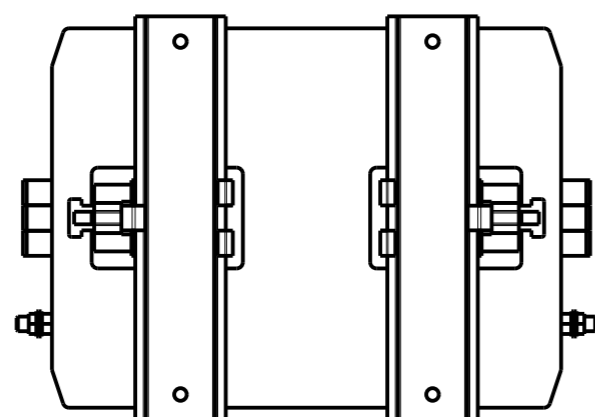
NOTE 1 GROUND CONNECTION:
 FOR ELECTRICAL SAFETY AND FILTER PERFORMANCE
 UNIT MUST HAVE A GOOD GROUND CONNECTION.
 TORQUE OUTER TERMINAL SCREWS: 0.5Nm / 4.5 in.lbs
 TORQUE GROUND NUTS: 2.5-3Nm

NOTE 2 INPUT OUTPUT CONNECTION TERMINAL
 AWG SIZE: 26-12 AWG
 WIRE SECTION: 4 mm²
 THREADED BOLT SIZE FOR GROUND: M6

NOTE 3 SUPPLIED WITH DIN RAIL BRACKET

NOTE 4 DRAWINGS SHOWS DIN RAIL FOR
 REFERENCE ONLY

REVISIONS					
P	LTR	DESCRIPTION	DATE	DWN	APVD
		SEE SHEET 1			



FRONT SIDE

REAR SIDE

THIS DRAWING IS A CONTROLLED DOCUMENT.

DIMENSIONS:	
mm	

TOLERANCES UNLESS OTHERWISE SPECIFIED:	
0 PLC	±0.5
1 PLC	±0.40
2 PLC	±0.130
3 PLC	±0.0500
4 PLC	±
ANGLES	±

MATERIAL	FINISH
-	-
-	-

DWN	03APR2021
BAPAT SAHAS	
CHK	03APR2021
CHRIS BOLLE	
APVD	03APR2021
CHRIS BOLLE	
PRODUCT SPEC	-
APPLICATION SPEC	-
WEIGHT	-
CUSTOMER DRAWING	

NAME POWER LINE FILTER FOR DIN 35 RAIL INSTALLATION 16KEMS10AFPDHM			
SIZE	CAGE CODE	DRAWING NO	RESTRICTED TO
A3	00779	C-7-1609967-6	-
SCALE		SHEET	REV
1:3		2 OF 2	A