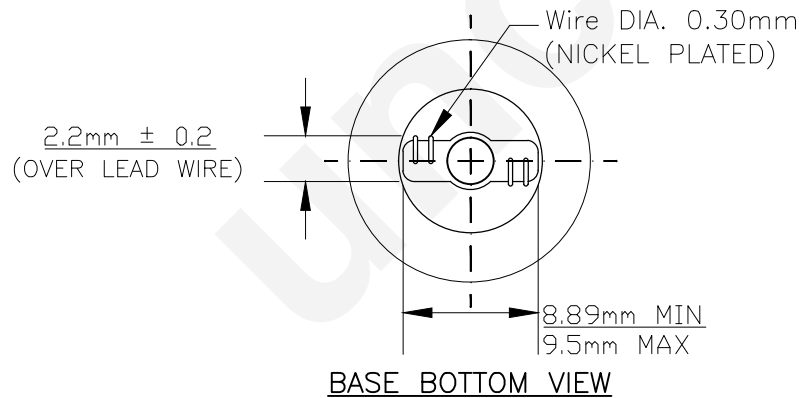
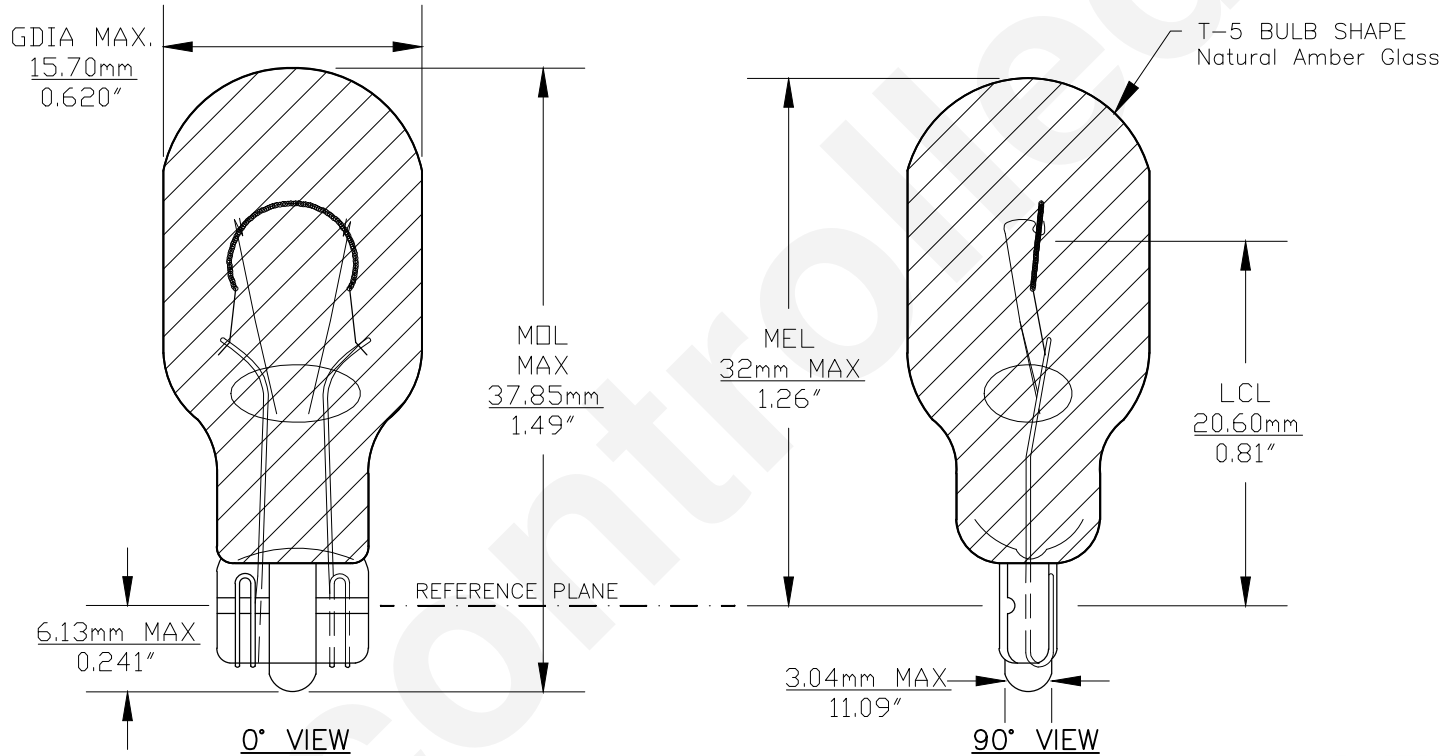




PART NO.	BASE TYPE	DESIGN VOLTS	DESIGN AMPS	MSCD	FILAMENT TYPE	AVERAGE LIFE HOURS	REVISIONS			
							REV #	DESCRIPTION	DATE	APPROVED
916NA	Glass Wedge (T-5)	13.5V	0.54±10%	1.5±30%	C-2F	10,000	1	ISSUED	10/19/2010	D.C.
							2	ADDITIONAL SPECIFICATIONS	09/16/2011	D.C.
							3	ADDITIONAL SPECIFICATIONS	06/05/2014	R.M.



Note: Made according to SAE specifications



UNLESS OTHERWISE SPECIFIED: DIMENSIONS ARE IN INCHES TOLERANCES		CEC INDUSTRIES LTD			
DECIMALS	ANGULAR	599 BOND STREET		LINCOLNSHIRE, IL 60069	
.XX ± .05	± 0.5°				
.XXX ± .010					
FRACTIONAL	± 1/64				
DRAWN SIDNEY LIU	DATE 06/09/2001	TITLE LIGHT BULB NO. 916NA			
CHECKED		SIZE A	FSCM NO.	DWG NO. 916NA	REV 3
DESIGN		SCALE	PLOT SCALE	SHEET 1 OF 1	
MATERIAL		FILE 916NA.pdf	DRAWING NOT TO SCALE		