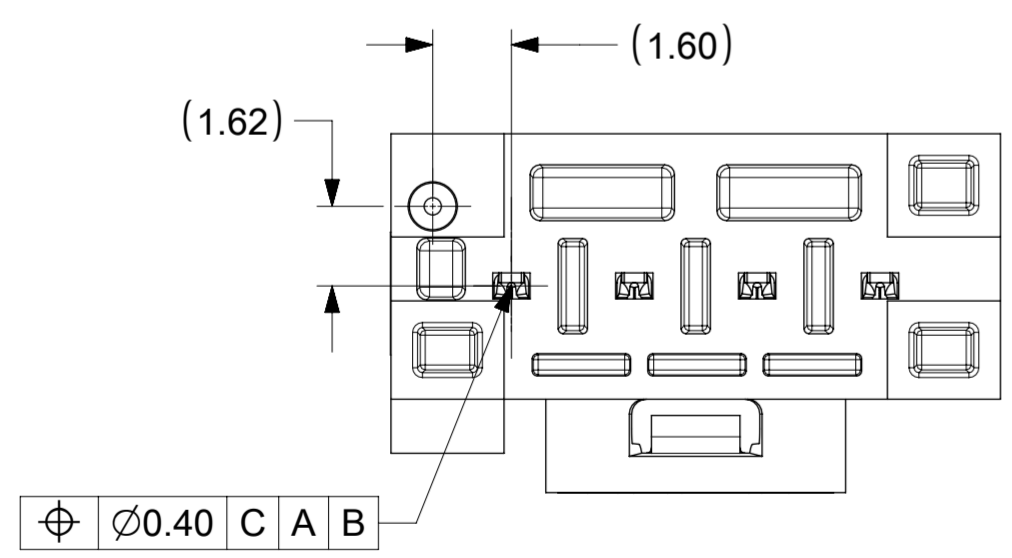
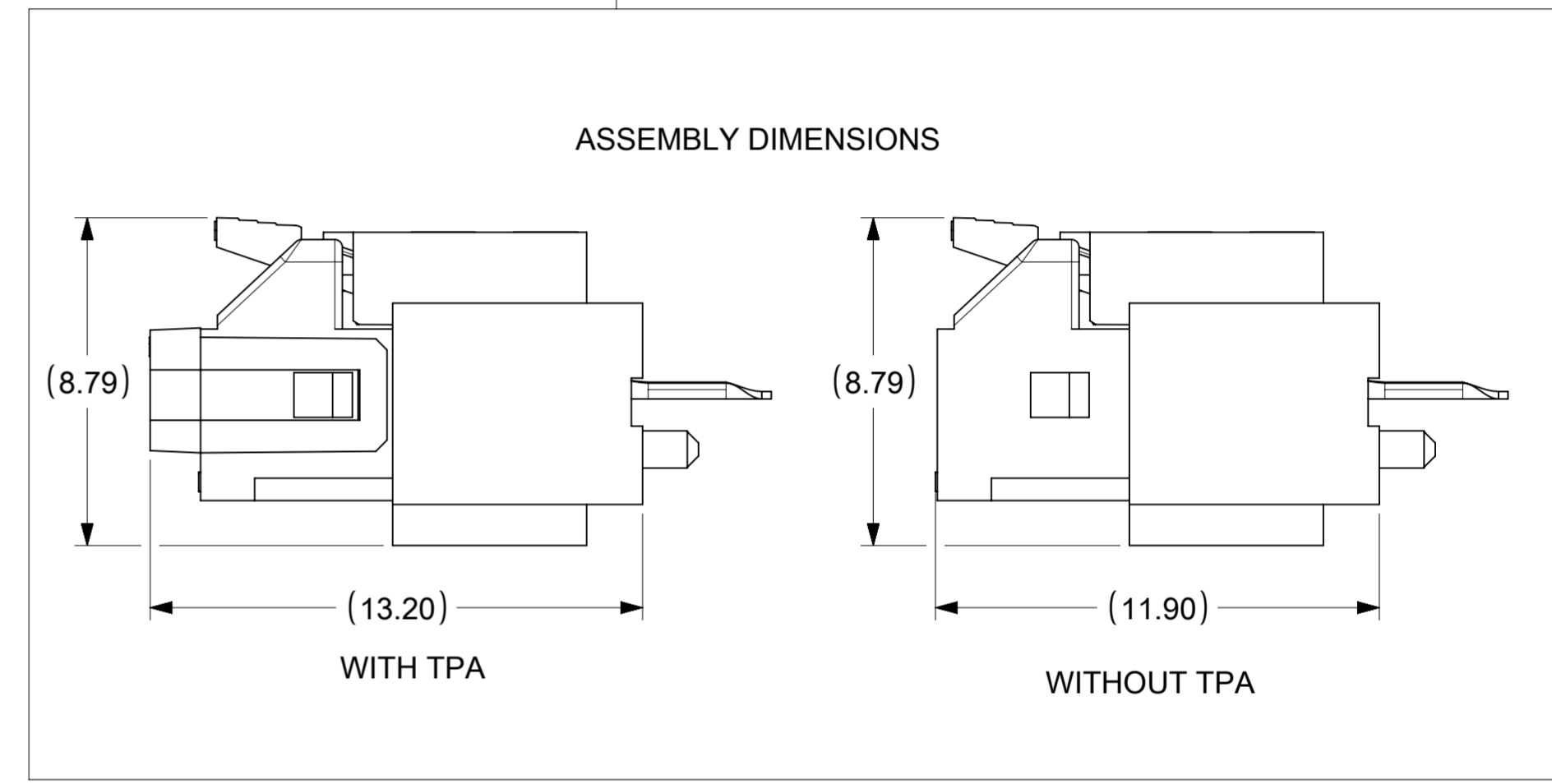
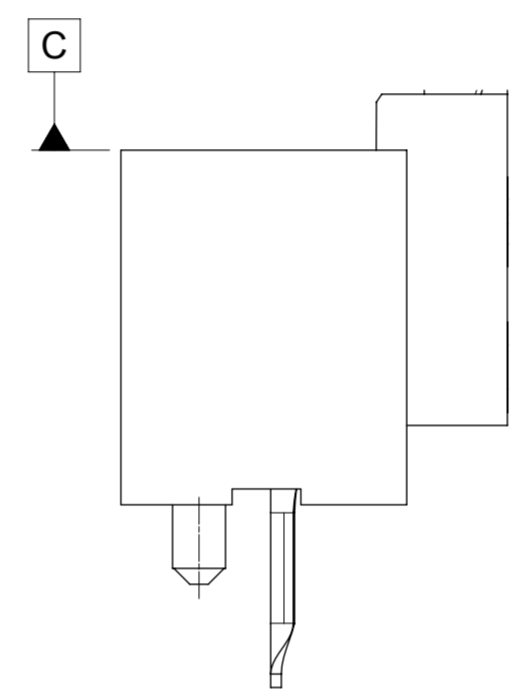
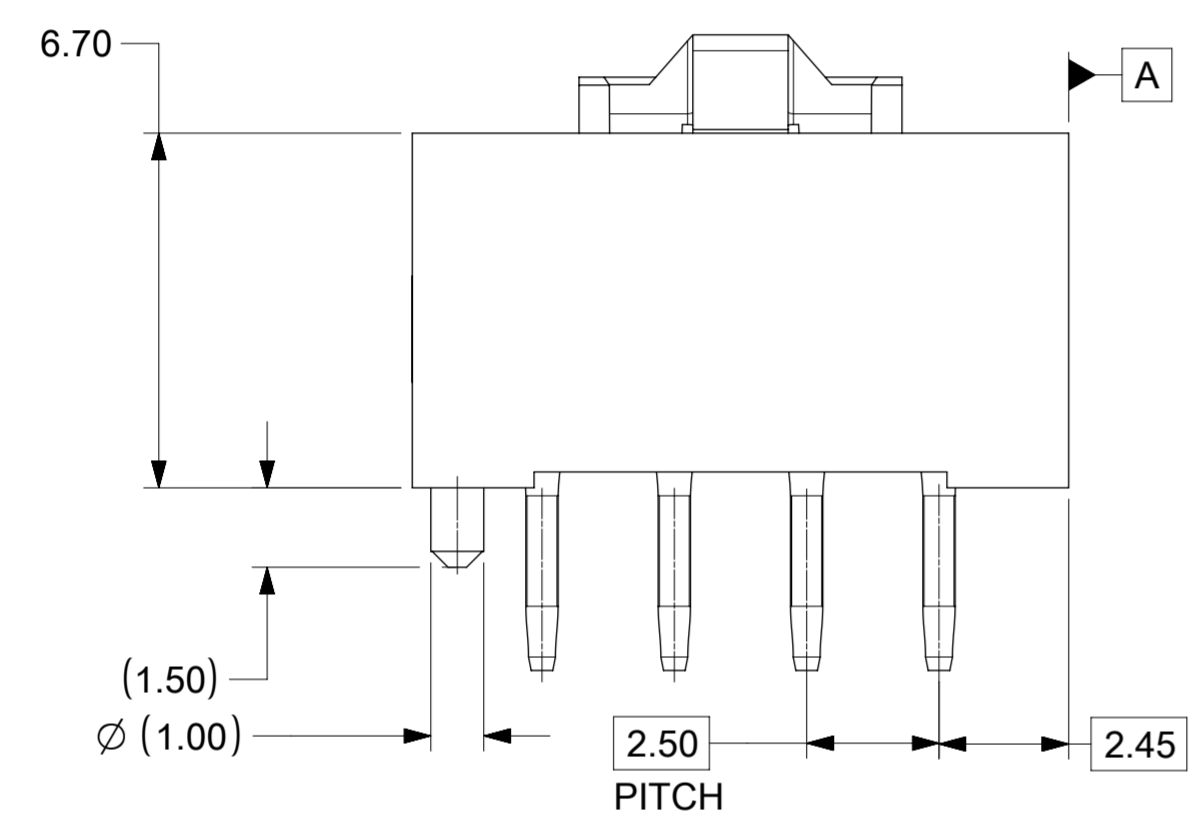


ISOMETRIC VIEW FOR
4 CKT HEADER ASSEMBLY



CKT SIZE	HEADER ASSEMBLY P/N	DIM. B
2	2078430002	8.00
3	2078430003	9.90
4	2078430004	12.40
5	2078430005	14.90
6	2078430006	17.40
7	2078430007	19.90
8	2078430008	22.40

- NOTES:
 1. MATERIAL:
 a. HOUSING: LIQUID CRYSTAL POLYMER, RATED UL 94V-0, COLOUR - BLACK
 b. TERMINAL: BRASS ALLOY PLATING: TIN OVER NICKEL OVERALL.
 2. PRODUCT SPECIFICATION: 2079020001-PS
 3. PACKAGING SPECIFICATION: 2078430000-PK
 4. COSMETIC SPECIFICATION: PS-45499-002 CLASS B

SYMBOLS	THIS DRAWING CONTAINS INFORMATION THAT IS PROPRIETARY TO MOLEX ELECTRONIC TECHNOLOGIES, LLC AND SHOULD NOT BE USED WITHOUT WRITTEN PERMISSION		
	DIMENSION UNITS	SCALE	CURRENT REV DESC:
▽ = 0	mm	6:1	EC NO: 706742 DRWN: SHRUTJ 2022/04/20 CHK'D: SHRUTJ 2022/05/13 APPR: ISHWARG 2022/05/13
▽ = 0	GENERAL TOLERANCES (UNLESS SPECIFIED)		
▽ = 0	ANGULAR TOL ± °		
▽ = 0	4 PLACES ±		
▽ = 0	3 PLACES ±		INITIAL REVISION: DRWN: SUDAYGUNAGI 2018/06/19 APPR: ISHWARG 2019/04/16
▽ = 0	2 PLACES ± 0.25		
▽ = 0	1 PLACE ± 0.3		DOCUMENT NUMBER: 2078430004-SD DOC TYPE: PSD DOC PART: 000 REVISION: A5
▽ = 0	0 PLACES ±		
▽ = 0	DRAFT WHERE APPLICABLE MUST REMAIN WITHIN DIMENSIONS	THIRD ANGLE PROJECTION	DRAWING: A2-SIZE
▽ = 0		SERIES: 207843	MATERIAL NUMBER: 3 CUSTOMER: 2 SHEET NUMBER: 1 OF 2

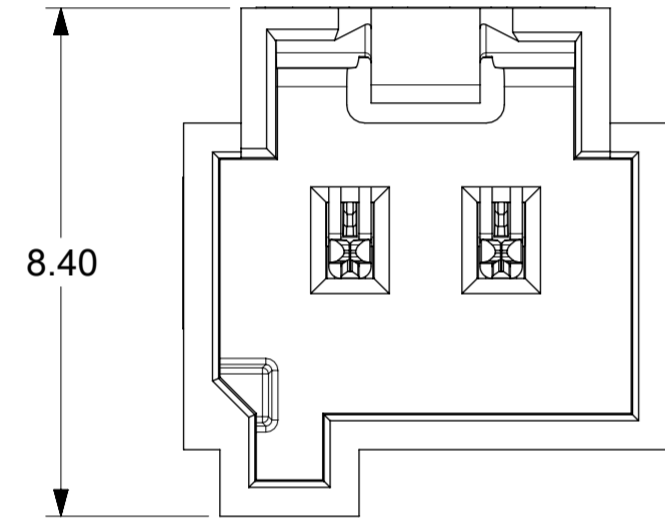
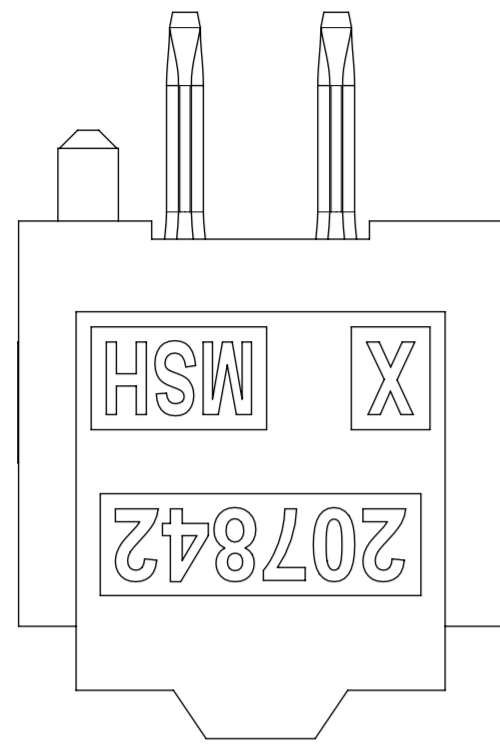


HEADER ASSEMBLY FOR KK PLUS 250

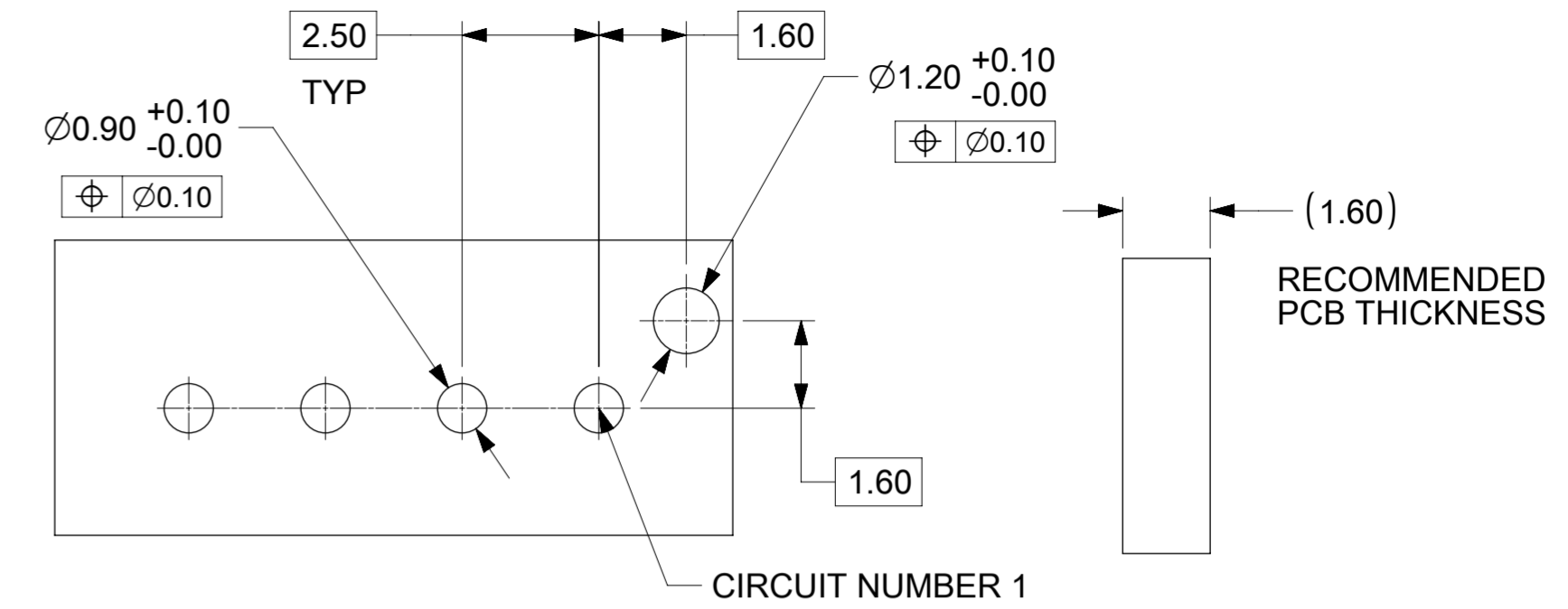
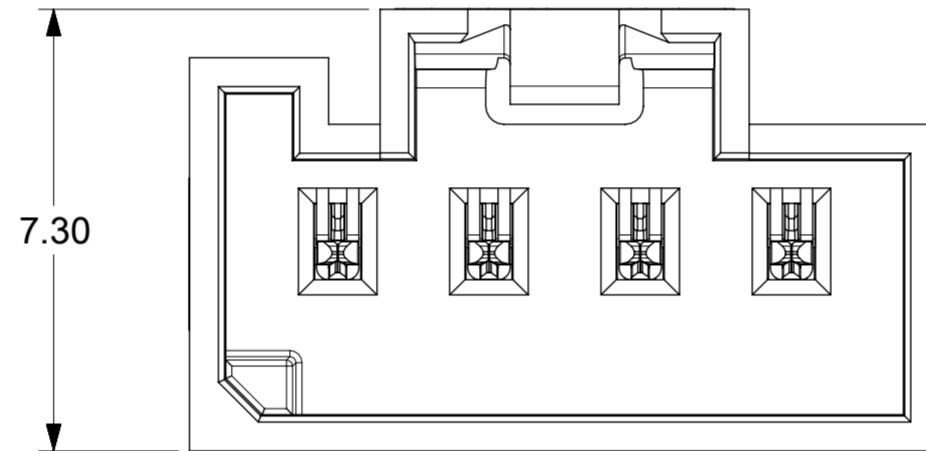
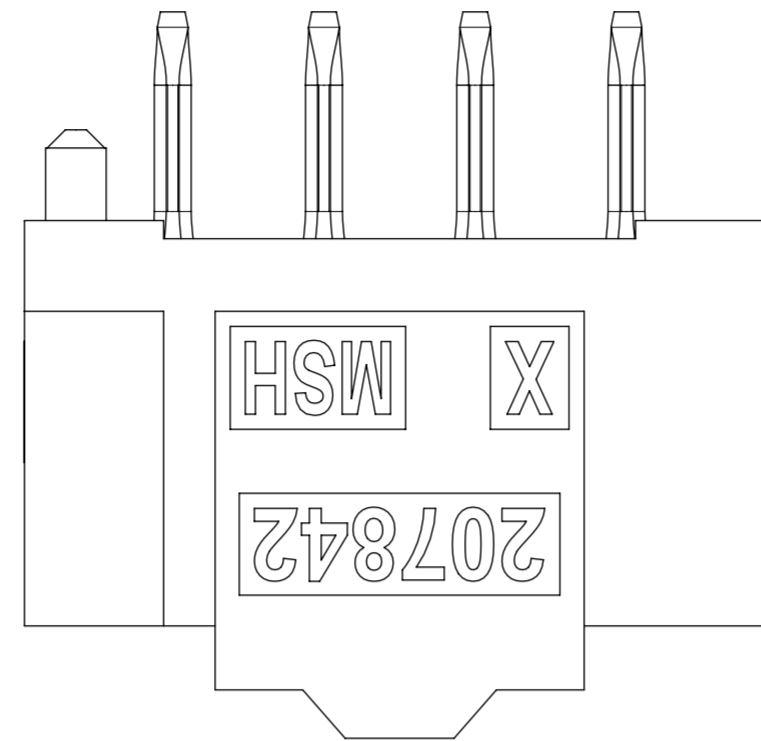
PRODUCT CUSTOMER DRAWING

POLARIZATION

2 & 3CKT

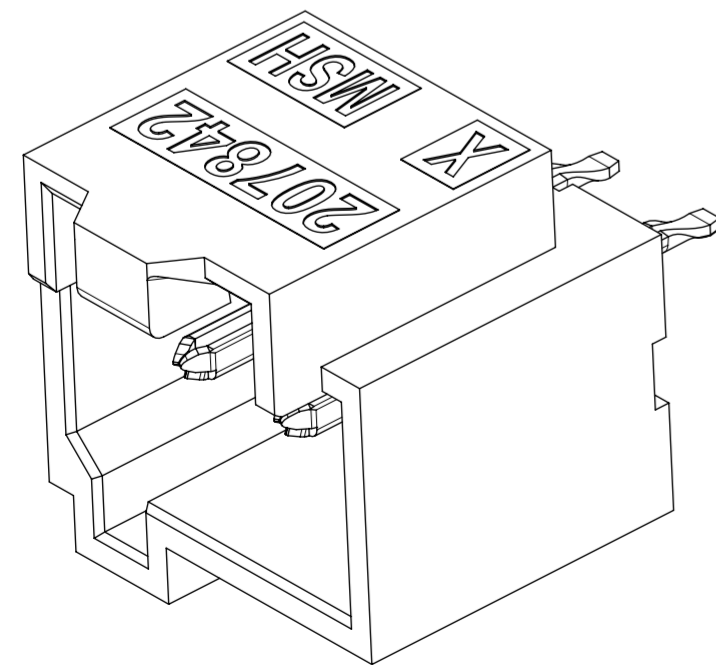


4 CKT TO 10 CKT

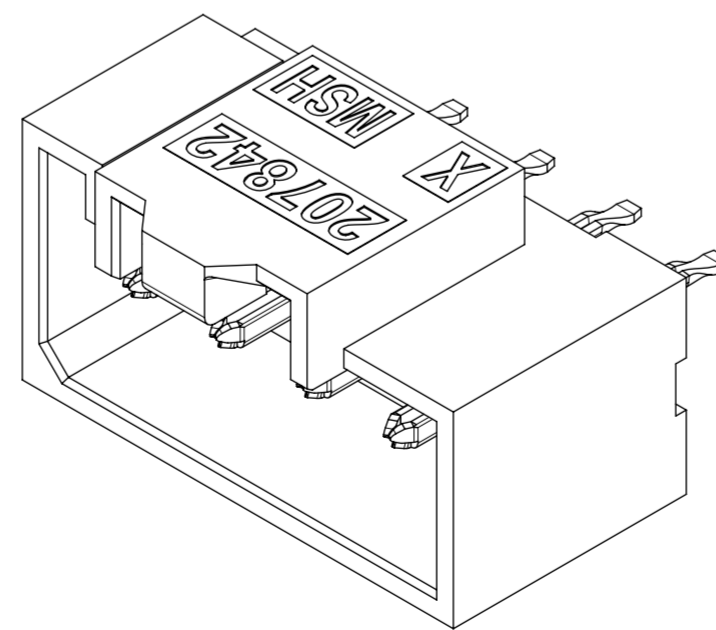


PCB LAYOUT FOR 4CKT HEADER ASSEMBLY
PCB LAYOUT VIEWED FROM THE MATING SIDE

ISOMETRIC VIEW FOR 2 & 3CKT



ISOMETRIC VIEW FOR 4 CKT TO 10 CKT



SYMBOLS										THIS DRAWING CONTAINS INFORMATION THAT IS PROPRIETARY TO MOLEX ELECTRONIC TECHNOLOGIES, LLC AND SHOULD NOT BE USED WITHOUT WRITTEN PERMISSION																													
DIMENSION UNITS					SCALE					CURRENT REV DESC:																													
mm					8:1					EC NO: 706742																													
GENERAL TOLERANCES (UNLESS SPECIFIED)										DRWN: SHRUTJ 2022/04/20																													
ANGULAR TOL ± °										CHK'D: SHRUTJ 2022/05/13																													
4 PLACES ±										APPR: ISHWARG 2022/05/13																													
3 PLACES ±										INITIAL REVISION:																													
2 PLACES ± 0.25										DRWN: SUDAYGUNAGI 2018/06/19																													
1 PLACE ± 0.3										APPR: ISHWARG 2019/04/16																													
0 PLACES ±										DRAFT WHERE APPLICABLE MUST REMAIN WITHIN DIMENSIONS																													
THIRD ANGLE PROJECTION					DRAWING					SERIES					MATERIAL NUMBER																								
A2-SIZE					207843					2078430004-SD					CUSTOMER																								
DOCUMENT NUMBER										DOC TYPE										DOC PART										REVISION									
2078430004-SD										PSD										000										A5									
DOCUMENT NUMBER										CUSTOMER										SHEET NUMBER										2 OF 2									

molex

HEADER ASSEMBLY FOR KK PLUS 250

PRODUCT CUSTOMER DRAWING