

DWG. NO.  
SD-35301-003

SIMILAR ITEM

PROJECT NO.

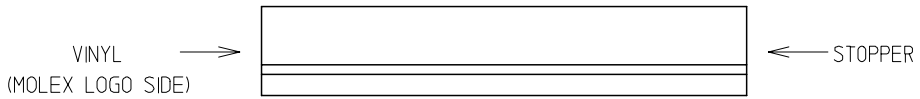
5

4

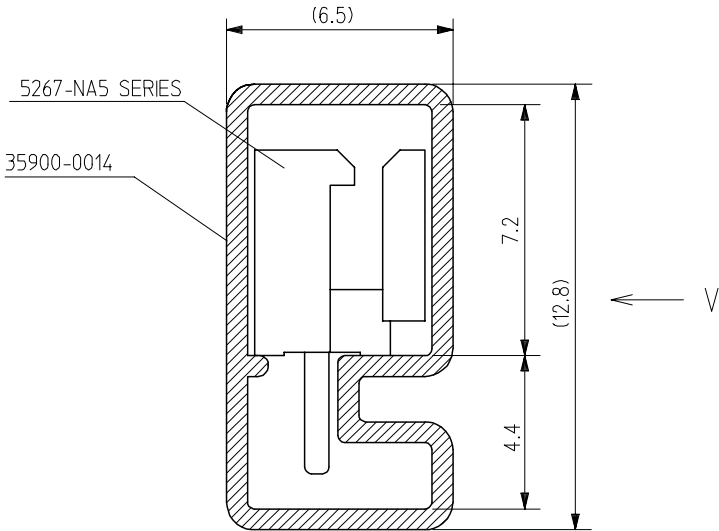
3

2

1



VIEW V



NOTES

- 1. PACKING TYPE : STOPPER & STICKER LOCKING TYPE(GENERAL)  
: VINYL & STOPPER LOCKING TYPE(FOR S/S)
- 2. THICKNESS : 0.6 t
- 3. LENGTH : 550 mm

3	35301-0340	353010340	50	5267-NA5
2	35301-0240	353010240	70	SERIES
CKTS	ENG NO.	MAT'L NO.	Q'TY/TUBE	USED ON

NEW RELEASED  
EC NO. KOR2006-0082  
DRWN: KSKIM(060109)  
CHK: Y.Soo.KIM  
APPR: S.H.CHOI

QUALITY SYMBOLS	DESCRIPTION
MAJOR =	
CRITICAL C =	
REV	DESCRIPTION
A	

GENERAL TOLERANCES: (UNLESS SPECIFIED)		
	mm	INCH
4 PLACES	±0.	±.
3 PLACES	±0.	±.
2 PLACES	±0.	±.
1 PLACE	±0.4	±.
ANGULAR: ± 3 °		
DRAFT WHERE APPLICABLE MUST REMAIN WITHIN DIMENSIONS		

SCALE 5 : 1	DESIGN UNITS <input checked="" type="checkbox"/> mm <input type="checkbox"/> INCH
DRAWN BY & DATE K.S.KIM(010112)	
CHECKED BY & DATE Y.Soo.KIM	
APPROVED BY & DATE S.H.CHOI	
CAD FILENAME SD35301C.DGN	

THIRD ANGLE PROJECTION	TITLE: TUBE PACKAGED FOR 5267-NA5 SERIES
MOLEX INCORPORATED	
MATERIAL NO. SEE TABLE	DRAWING NO. SD-35301-003

DIMENSIONS: <input type="checkbox"/> mm <input type="checkbox"/> INCH <input checked="" type="checkbox"/> mm ONLY	SHT	REV
REVISE ON CAD ONLY		
SHEET NO. 1 OF 1		SIZE A

5

4

3

2

MX-A4

DWG. NO.

SIMILAR ITEM

PROJECT NO.

B

DO NOT SCALE DRAWING  
DIMENSION IN METRIC

8 7 6 5 4 3 2 1

F

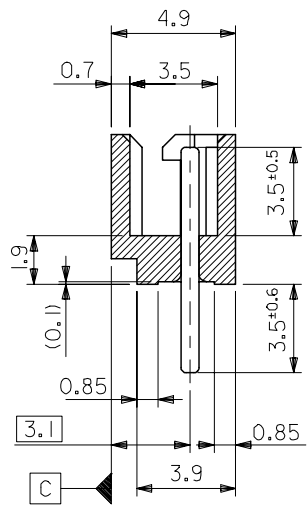
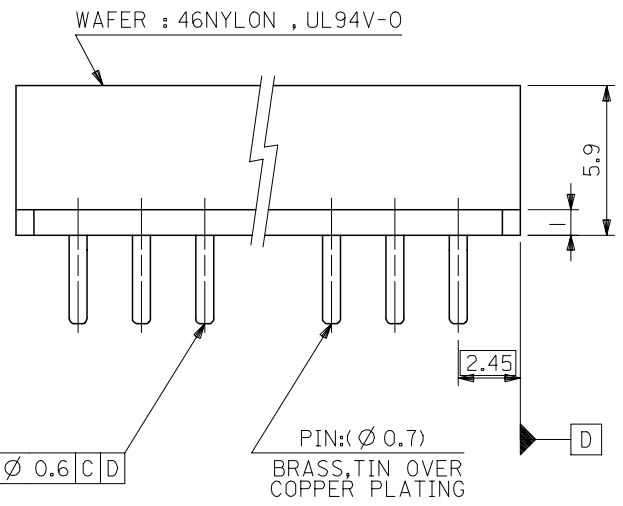
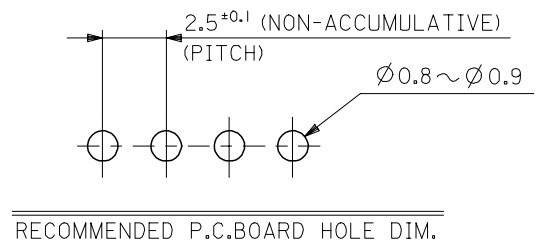
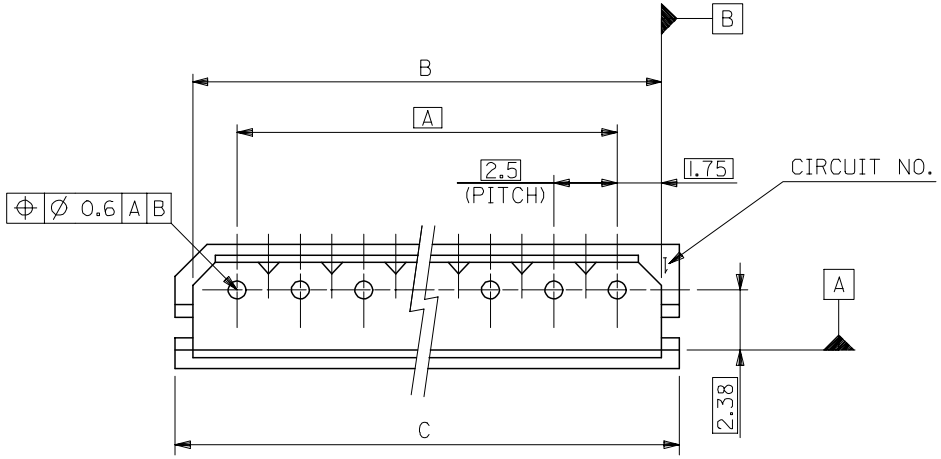
E

D

C

B

A



NOTES:  
1. MATES WITH : 5264 SERIES.

9.9	8.5	5	39-34-1036	5267-03A5	35301-0340	3
7.4	6	2.5	39-34-1026	5267-02A5	35301-0240	2
C	B	A	EDP NO.	ENG NO.	ENG NO.	NO OF CKT.
APPLIED CONNECTOR						

ANGLE	±3°
30 OVER	±0.3
10 OVER 30 UNDER	±0.25
10 UNDER	±0.2
GENERAL TOLERANCES	

NEW RELEASED  
 ECN NO. KOR2006-0082  
 DRWN: K.S.KIM (060102)  
 CHK: Y.Soo.KIM  
 APPR: SH.CHOI

QUALITY SYMBOLS  
 MAJOR  
 CRITICAL

GENERAL TOLERANCES:  
 (UNLESS SPECIFIED)

	mm	INCH
4 PLACES	±0.	±-
3 PLACES	±0.	±-
2 PLACES	±0.	±-
1 PLACE	±0.	±-

ANGULAR: ± °

DRAFT WHERE APPLICABLE MUST REMAIN WITHIN DIMENSIONS

SCALE 5:1  
 DESIGN UNITS  
 mm  INCH  
 DRAWN BY & DATE  
 K.S.KIM (060102)  
 CHECKED BY & DATE  
 Y.Soo.KIM  
 APPROVED BY & DATE  
 SH.CHOI  
 CAD FILENAME

DIMENSIONS:  
 mm  INCH  mm ONLY

THIRD ANGLE PROJECTION

TITLE:  
 2.5 LOW PROFILE  
 WAFER ASS'Y

**MOLEX INCORPORATED**

MATERIAL NO. DRAWING NO. SHEET NO.  
 SD-35301-014 1 OF 1

THIS DRAWING CONTAINS INFORMATION THAT IS PROPRIETARY TO MOLEX INCORPORATED AND SHOULD NOT BE USED WITHOUT WRITTEN PERMISSION.

SIZE B

8 7 6 5 4 3 2 1 KOREA MX-A3