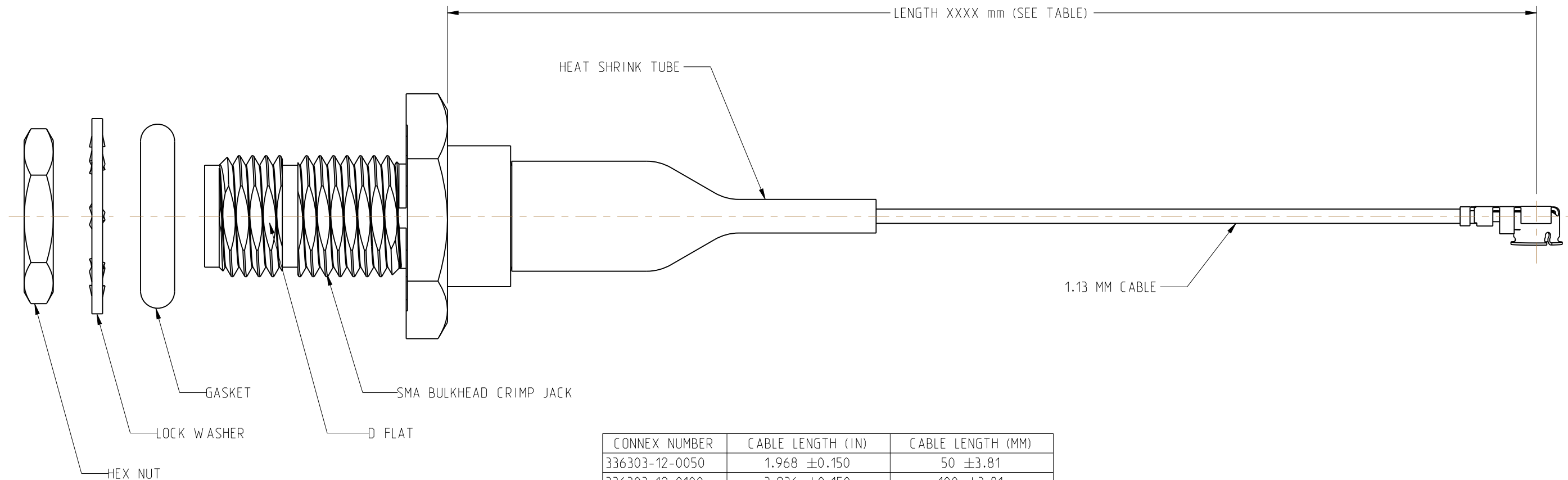
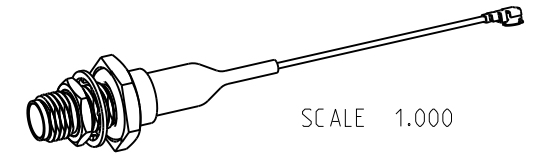


NOTES:

1. MATERIALS AND FINISHES:
 SMA BULKHEAD CRIMP JACK - P/N: 132377
 MICRO COAX PLUG TERMINATED USING 1.13 MM CABLE - P/N: A-1PA-113-XXXB2
2. ELECTRICAL:
 A. IMPEDANCE: 50 OHM, NOMINAL
3. PACKAGING:
 A. QUANTITY: SINGLE PACK
 B. BAG TO BE MARKED: AMPHENOL RF, 336303-12-XXXX, AND DATE CODE

336303-12-XXXX		REVISIONS			
DRAWING NO.	REV	DESCRIPTION	DATE	ECO	APPR
THIRD ANGLE PROJ.	A	RELEASE TO MFG.	24-Dec-10	--	KR
	B	SEE SHEET 1	08-Jul-14	2751	MB/BG



CONNEX NUMBER	CABLE LENGTH (IN)	CABLE LENGTH (MM)
336303-12-0050	1.968 ±0.150	50 ±3.81
336303-12-0100	3.936 ±0.150	100 ±3.81
336303-12-0150	5.905 ±0.150	150 ±3.81
336303-12-0200	7.873 ±0.200	200 ±5.08
336303-12-0250	9.842 ±0.200	250 ±5.08
336303-12-0300	11.810 ±0.200	300 ±5.08

* ADDITIONAL LENGTHS CAN BE PROVIDED,
 CONTACT AMPHENOL RF MARKETING FOR QUOTE

DESIGN REQUIREMENTS:

- | | |
|--|--|
| <input checked="" type="checkbox"/> FREQUENCY: DC TO 6 GHz | <input checked="" type="checkbox"/> CONTINUITY |
| <input type="checkbox"/> VSWR _____ : 1 MAX | <input checked="" type="checkbox"/> HI-POT :200 VRMS |
| <input type="checkbox"/> INS. LOSS _____ dB MAX | <input type="checkbox"/> OTHER |

CUSTOMER OUTLINE DRAWING

ALL OTHER SHEETS ARE FOR INTERNAL USE ONLY

UNLESS OTHERWISE SPECIFIED, DIMENSIONS ARE IN INCHES AND TOLERANCES ARE: 2 PLACE DECIMAL ±.015 (0,381 mm) 3 PLACE DECIMAL ±.005 (0,127 mm) ANGLES ± 1°	MATERIAL	DRAWN	DATE	TITLE SMA BULKHEAD CRIMP JACK TO AMC PLUG TERMINATED USING 1.13MM CABLE, VARIOUS LENGTHS	Amphenol Connex
	SEE NOTES	MOHAN	03-Jun-14		
NOTICE - These drawings, specifications, or other data (1) are, and remain the property of Amphenol Corp. (2) must be returned upon request; and (3) are confidential and not to be disclosed to any person other than those to whom they are given by Amphenol Corp. The furnishing of these drawings, specifications, or other data by Amphenol Corp., or to any other person to anyone for any purpose is not to be regarded by implication or otherwise in any manner licensing, granting rights or permitting such holder or any other person to manufacture, use or sell any product, process or design, patented or otherwise, that may in any way be related to or disclosed by said drawings, specifications, or other data.	REFERENCE	ENGINEER	DATE	SCALE: 4.5:1	SHEET 2 OF 2
		B.C. GLEISSNER	24-Dec-10		
			APPROVED	DATE	
			05-Jun-14		
		CAD FILE		DWG SIZE	DRAWING NO.
				B	336303-12-XXXX
					REV B