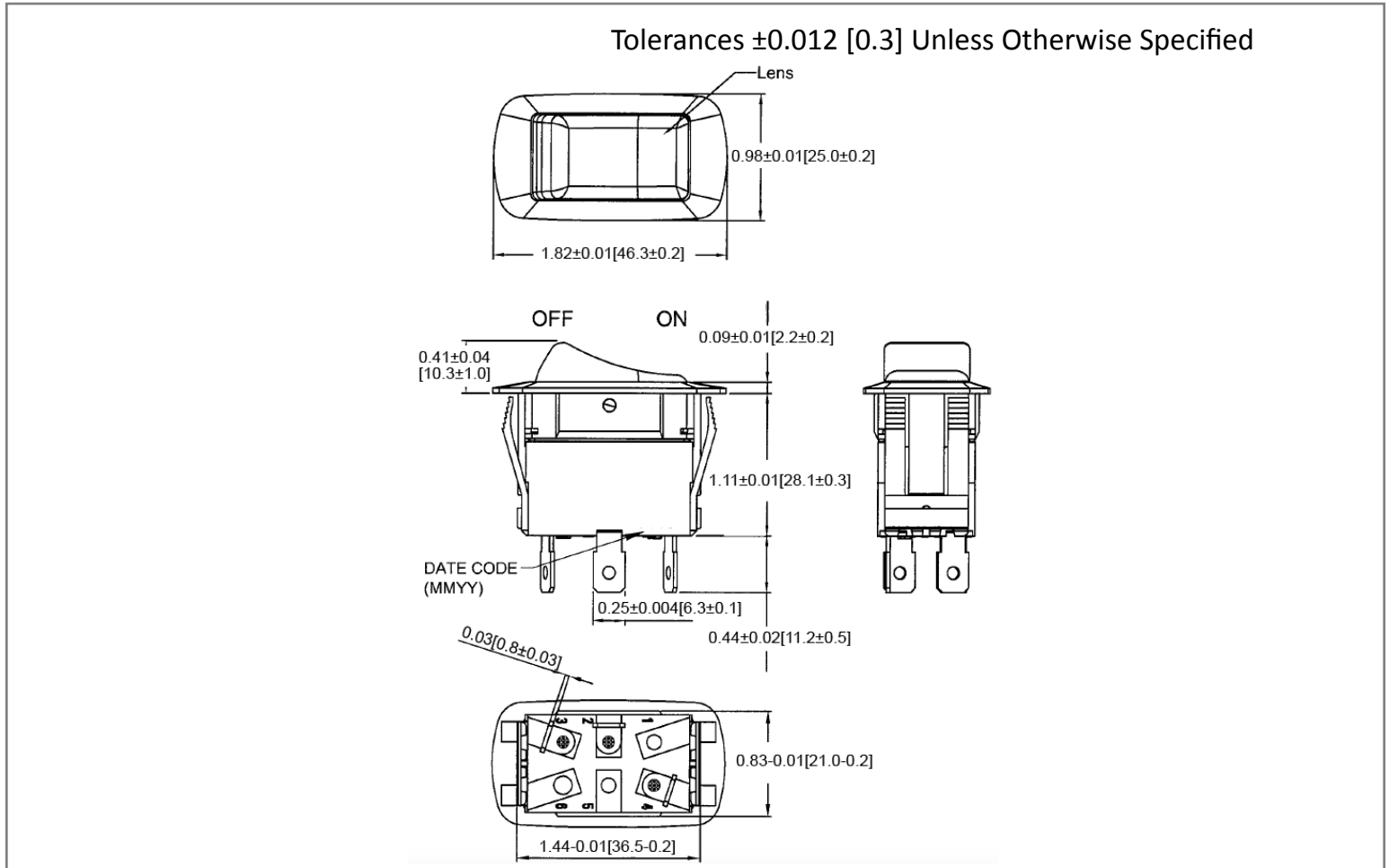
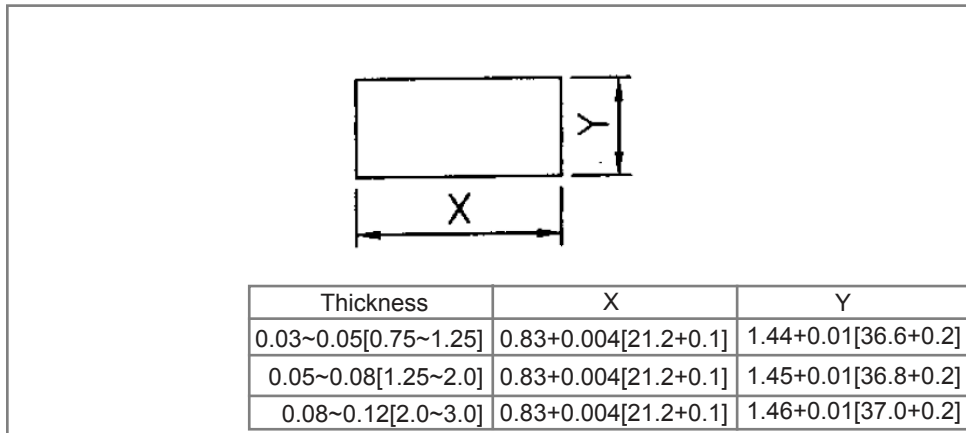


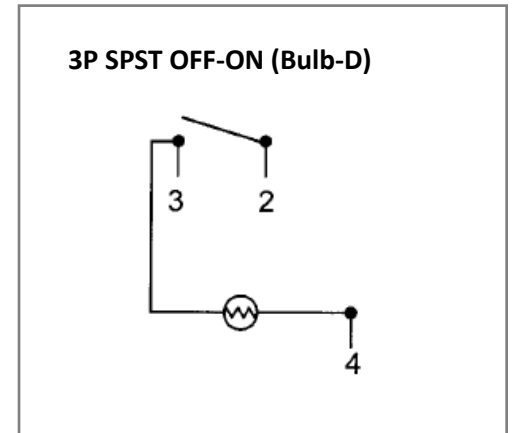
## Mechanical Dimensions: Inches [mm]



## Mounting Hole



## Circuit Diagram



## Electrical Specifications

Rating	21A 14V DC				
Contact Resistance	50m ohm Max				
Insulation Resistance	DC 500V 100M ohm Min				
Dielectric Strength	AC 1500V 1minute				
Operation Temperature	-25°C~85°C				

## Material Specifications

Frame	Black, Nylon #66
Actuator	Black, Nylon 66+33%GF
Lens	Blue clear, PC
Lamp	Blue (Bulb Dependent)
Waterproof	IP56

Rev	Date of issue	Revision Notes	Designed	Approved
B	02-26-2020	Initial Drawing	RC	OF