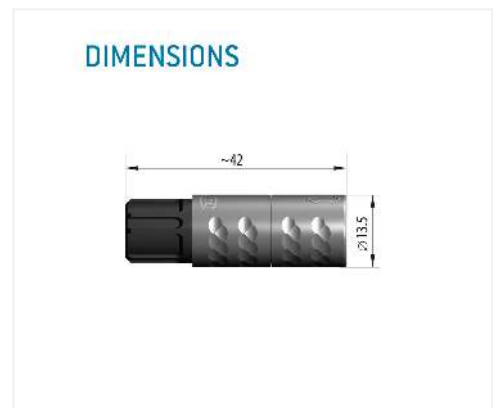
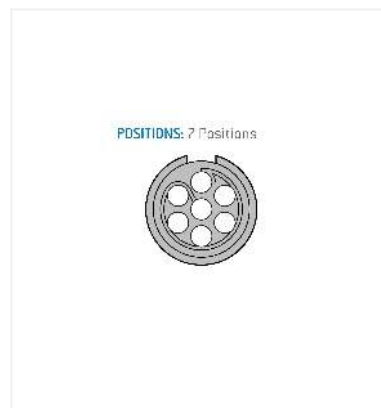


**General information**

|                          |                     |
|--------------------------|---------------------|
| <b>Part number</b>       | K11MC7-P07LFDO-6520 |
| <b>Termination</b>       | solder              |
| <b>Size</b>              | 1                   |
| <b>Locking principle</b> | break , push        |
| <b>Coding</b>            | c_key_medi          |
| <b>Cable Diameter</b>    | cable_medi_65       |
| <b>Cable outlet</b>      | standard            |



**Contact insert description**

|                             |         |
|-----------------------------|---------|
| <b>Number of contacts</b>   | 7       |
| <b>Contact type</b>         | sockets |
| <b>Contact diameter</b>     | 07mm    |
| <b>Insulator material</b>   | peek    |
| <b>Wire cross section</b>   | 26_awg  |
| <b>Termination</b>          | solder  |
| <b>Termination diameter</b> | 065mm   |

reverse\_gender\_on\_request

**Technical information**

|   |          |                       |
|---|----------|-----------------------|
| <b>Max. creepage and air clearance distance</b> | 085_mm   | iec_60601_1mopp_2moop |
| <b>Nominal current single contact</b>           | 06_a     | iec_60512_5_2         |
| <b>Nominal current insert</b>                   | 3,9 A    | vde_0298_4            |
| <b>Test voltage</b>                             | 16_kv_dc | sae_13441             |

safety\_text

## Mechanical and environmental data

|                       |          |
|-----------------------|----------|
| Degree of protection* | ip50     |
| Operating temperature | 50_120_c |
| Mating cycles         | 5000     |

mated\_unmated

## Insulator materials MEDI-SNAP®

psu\_peek

## Material and surface treatments

|              |               |
|--------------|---------------|
| Housing      | psu_gray      |
| Color option | red           |
| Contact      | cu_alloy_gold |

safety\_text\_2  
ul\_text  
illustrative\_text