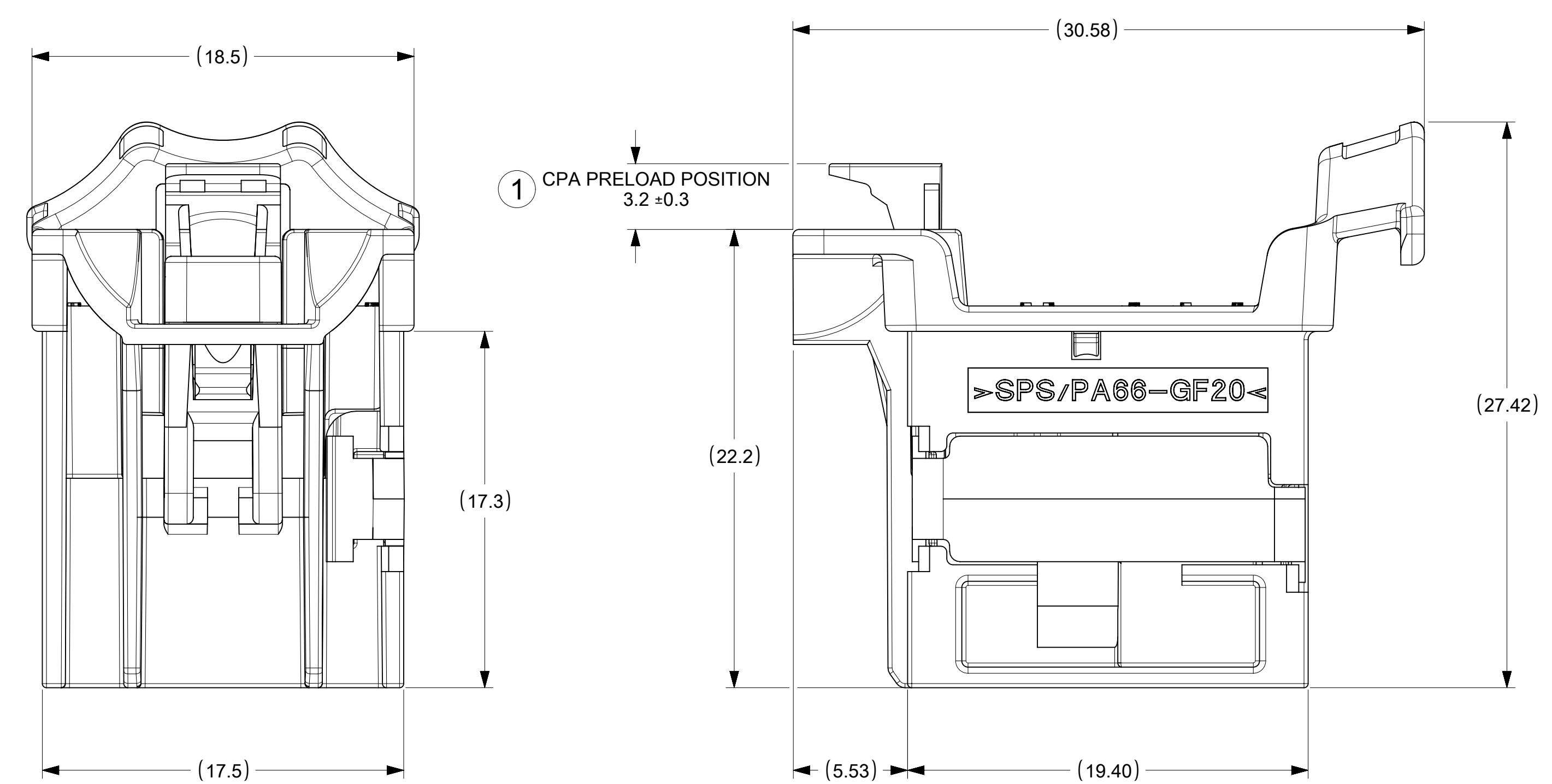
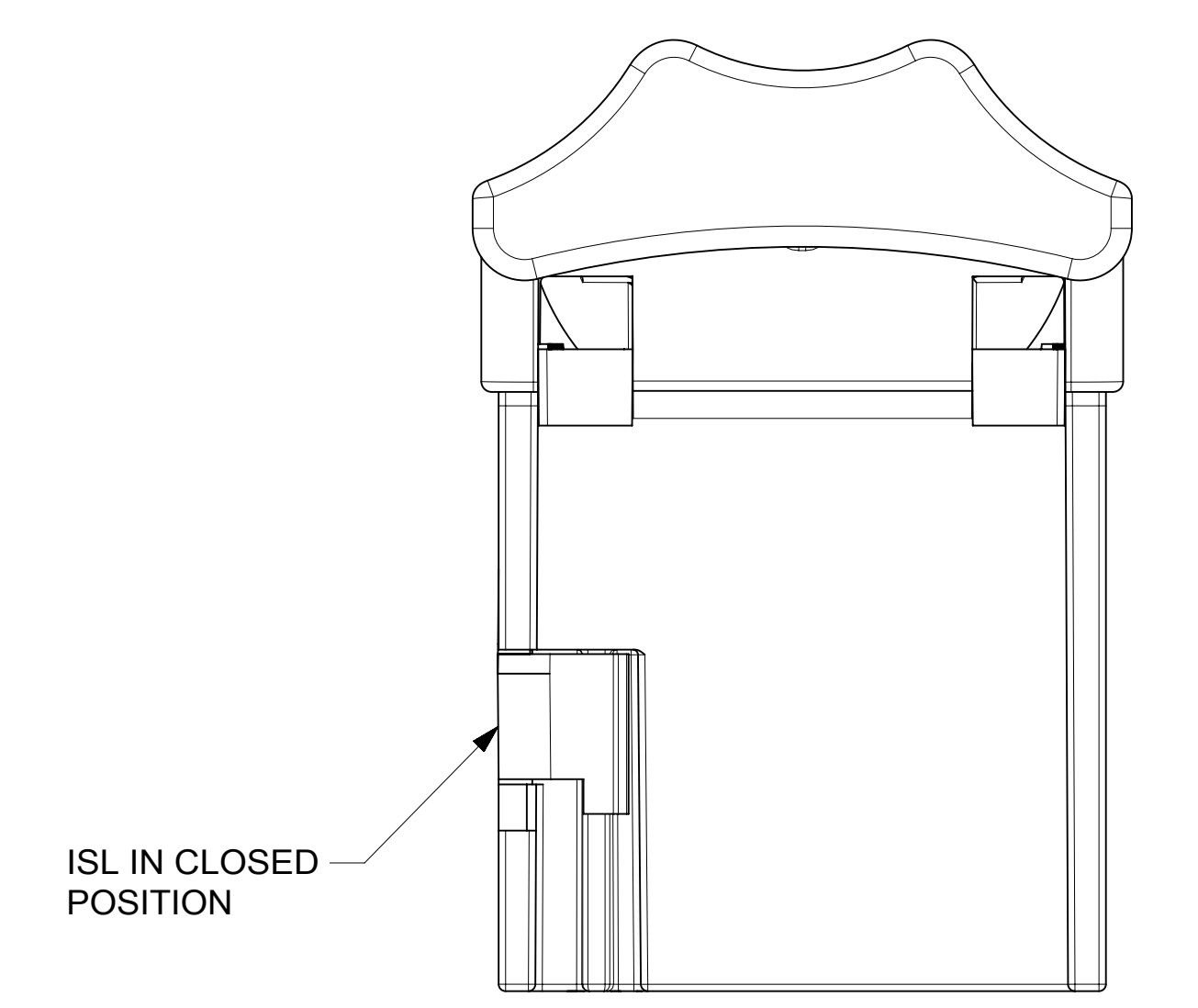
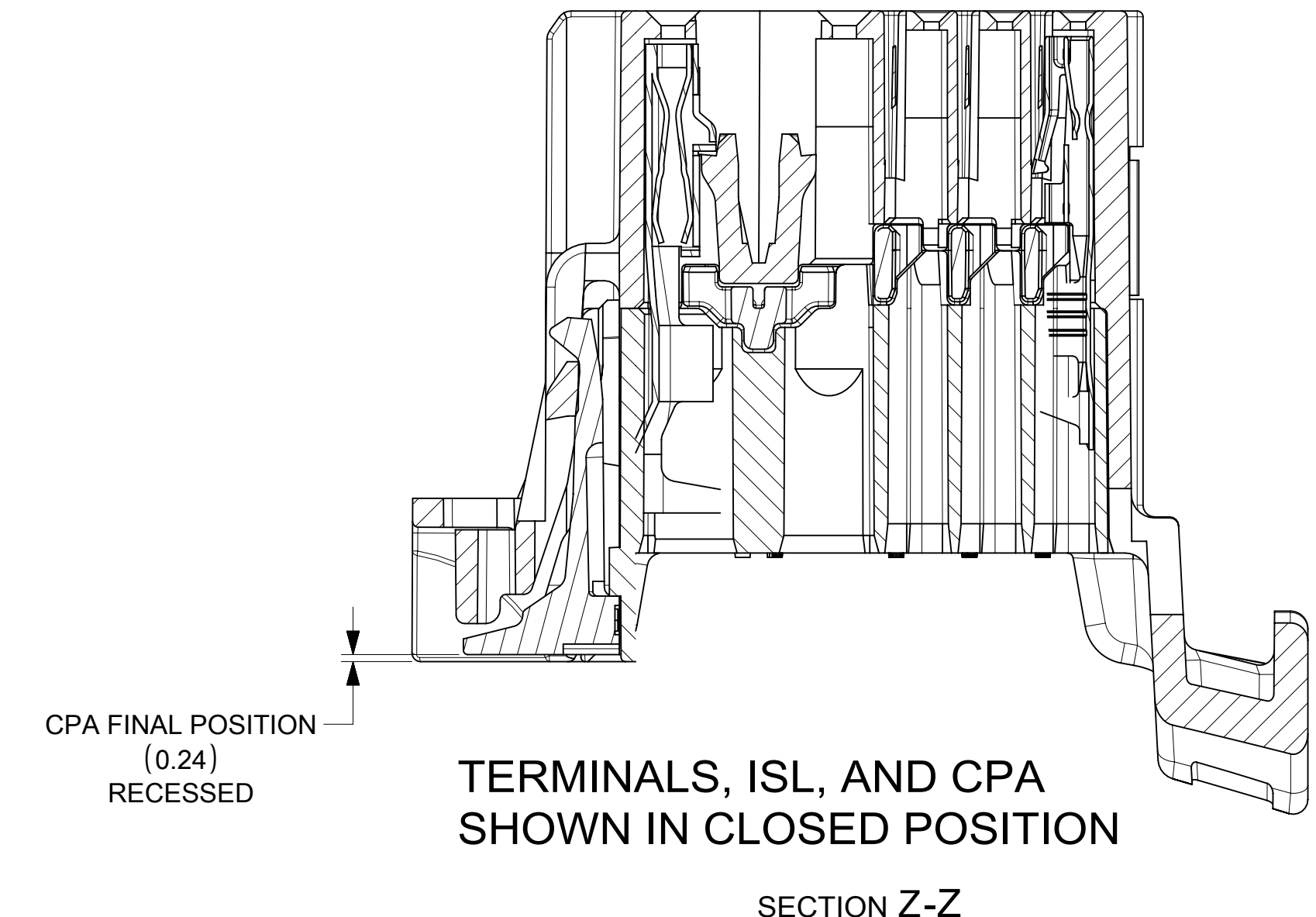
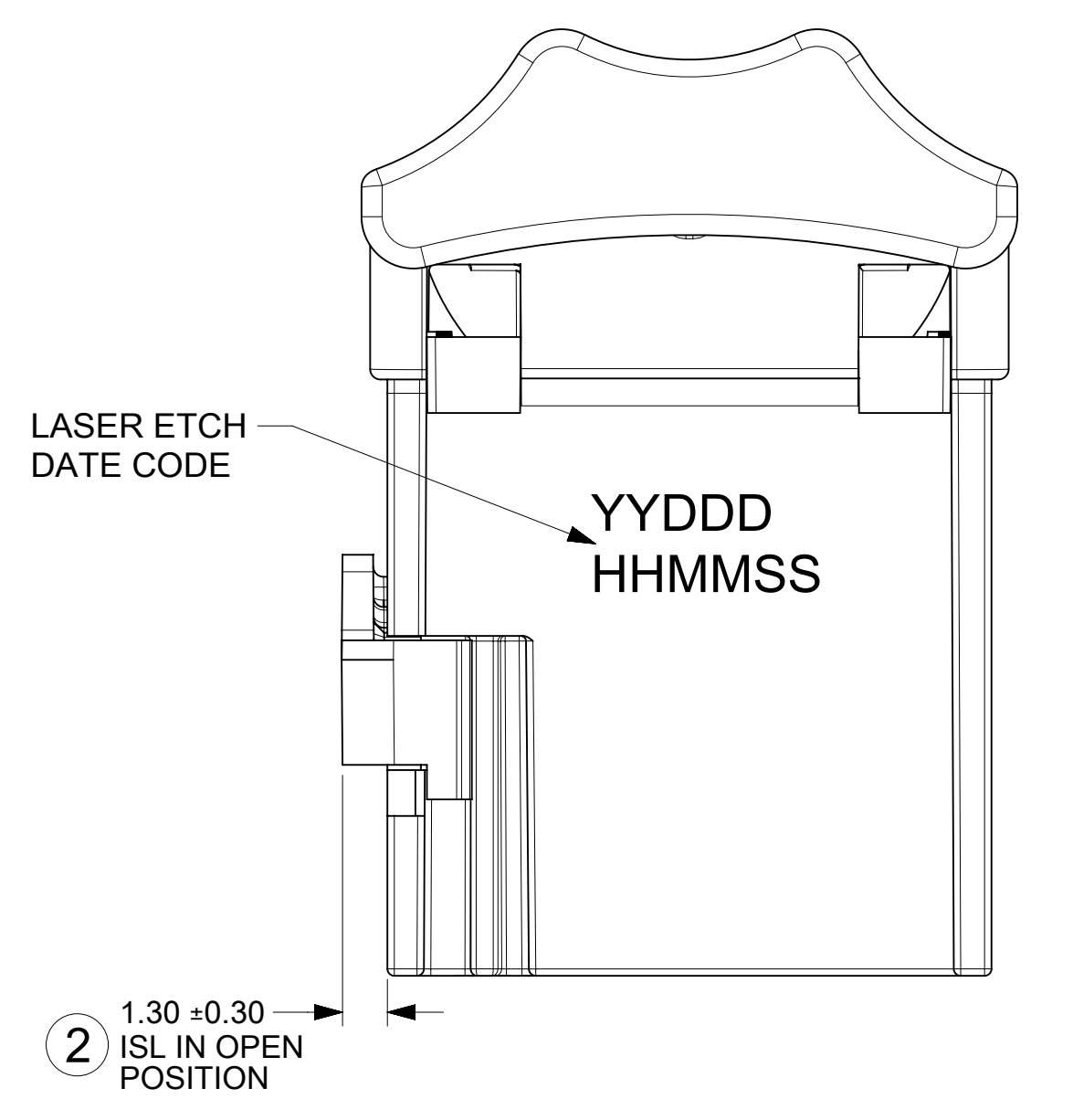
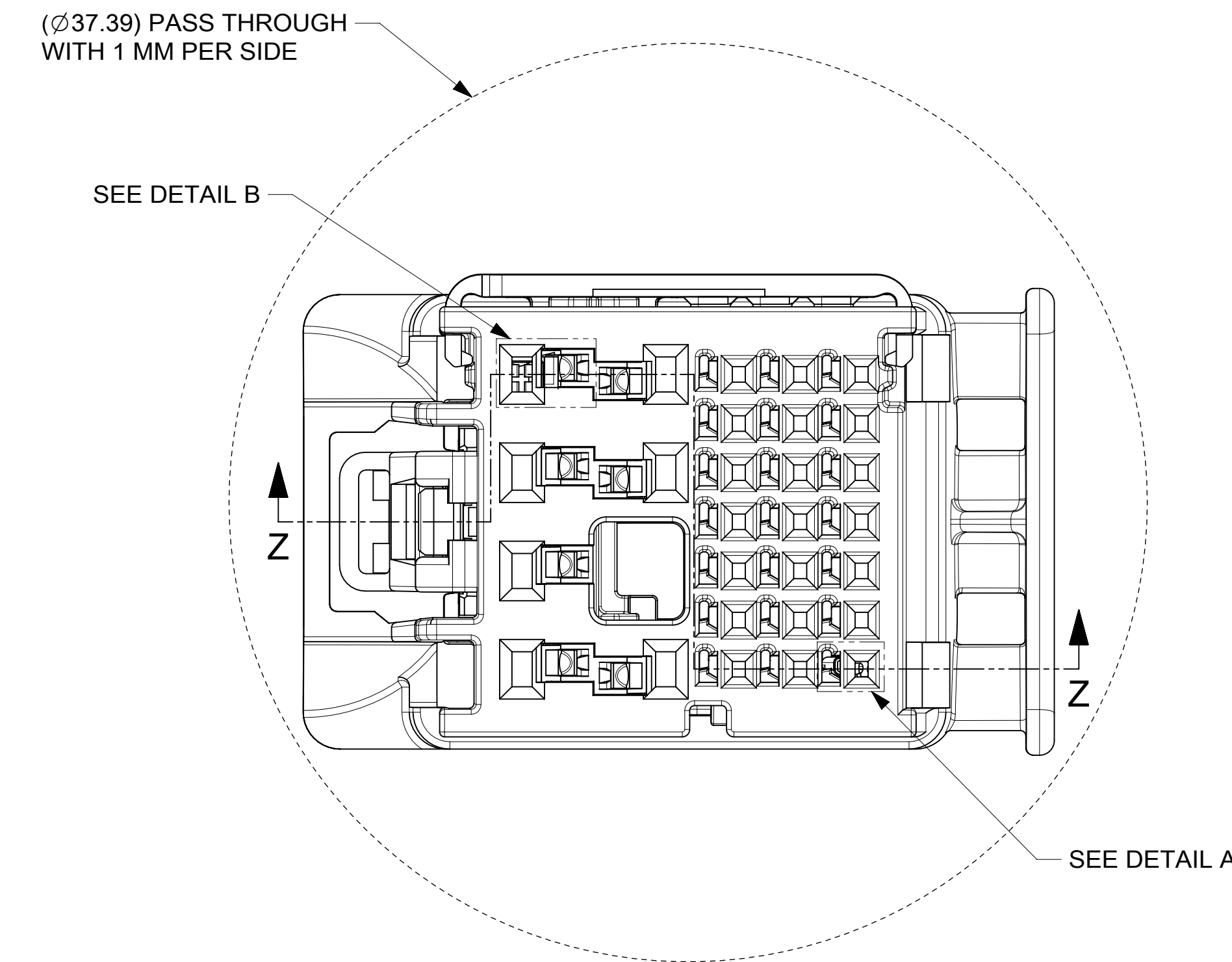
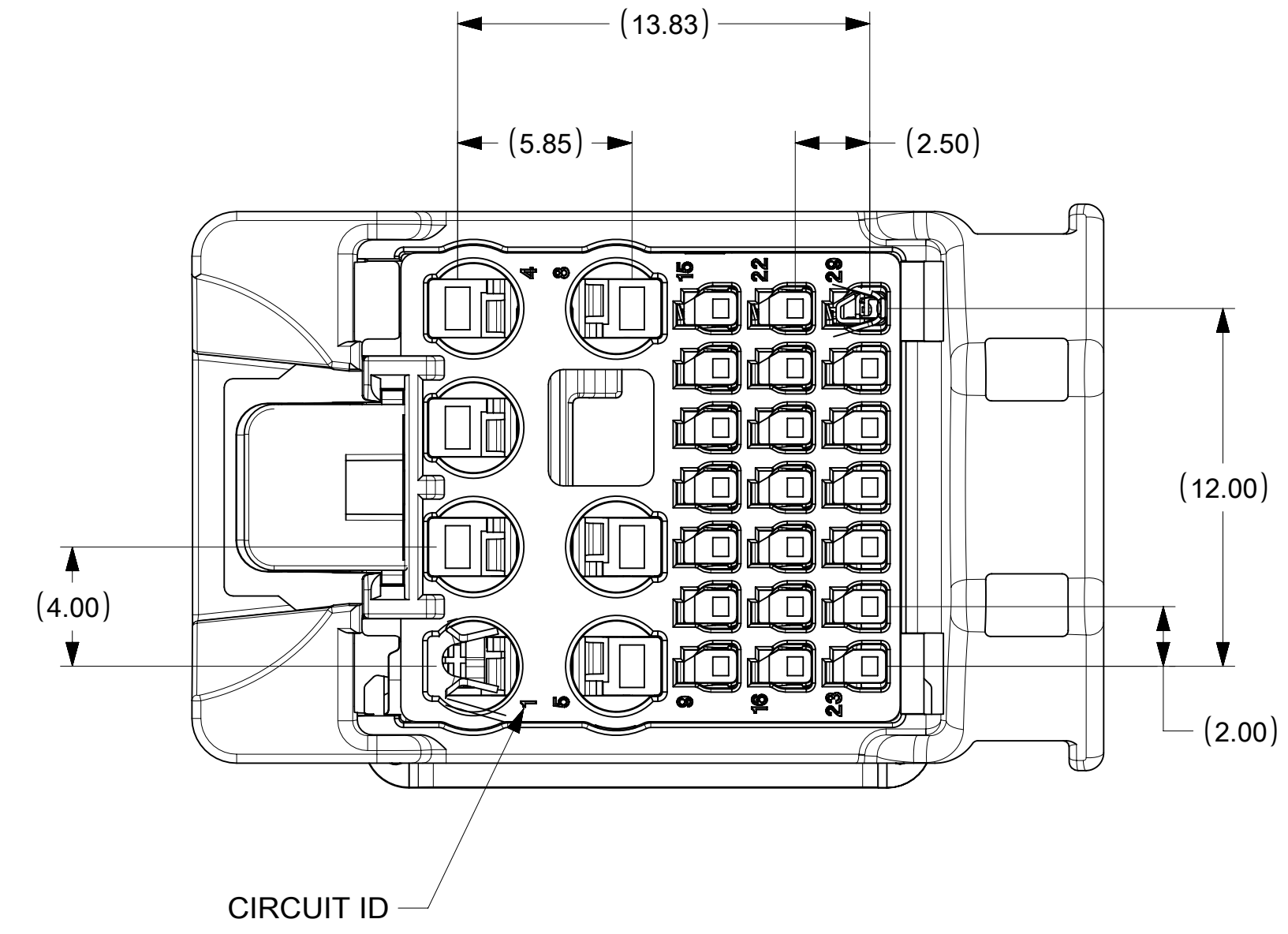
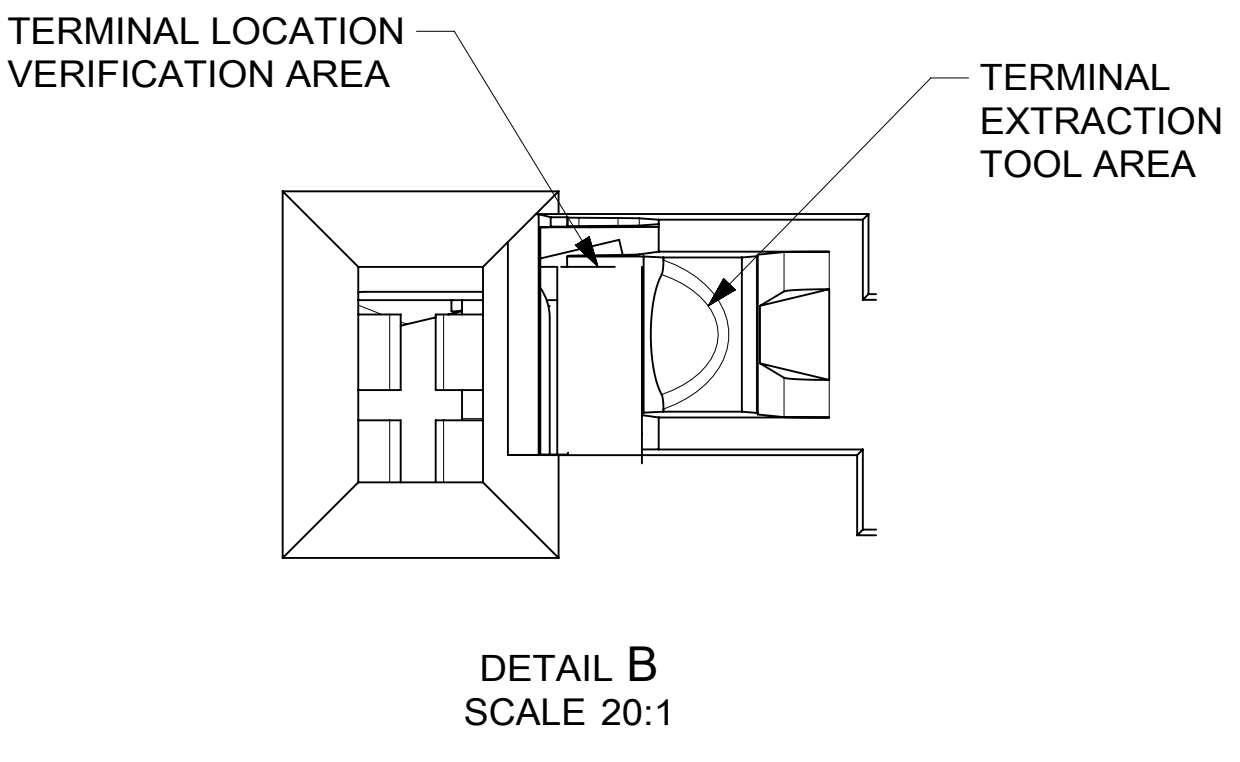
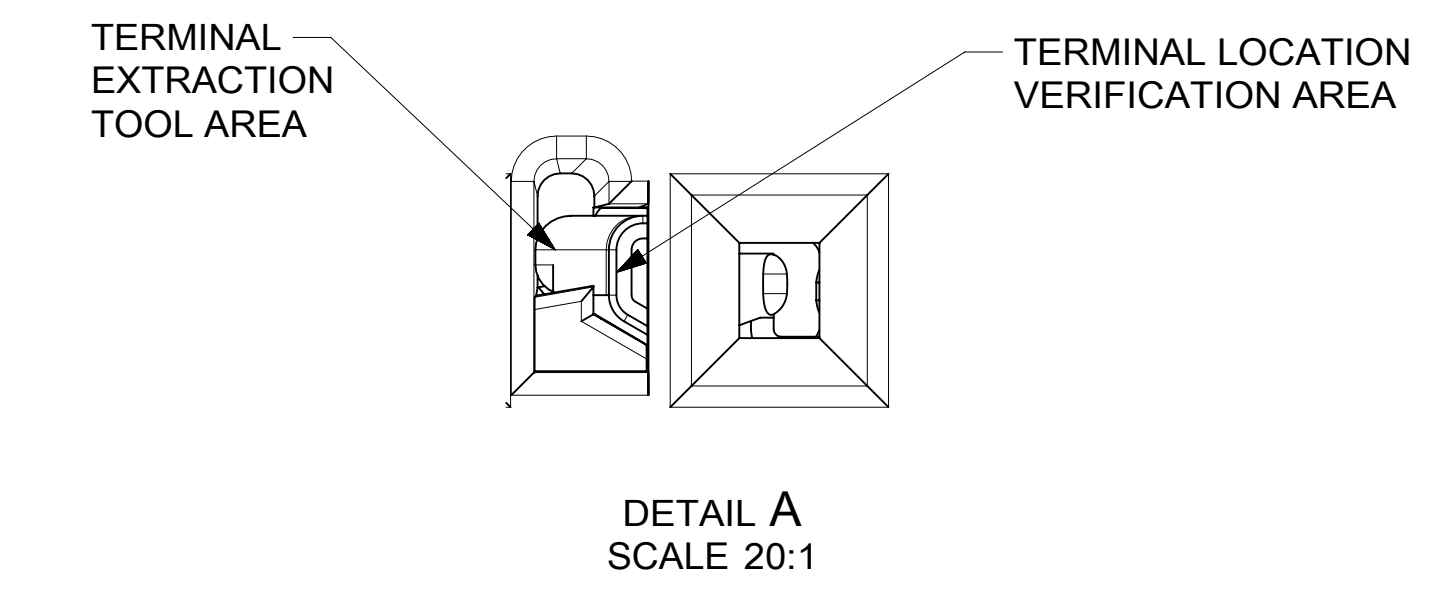


NOTE: 28 WAY CONNECTOR VARIANT SHOWN.
DIMENSIONS APPLY TO ALL CONNECTOR VARIANTS OF 29 WAY



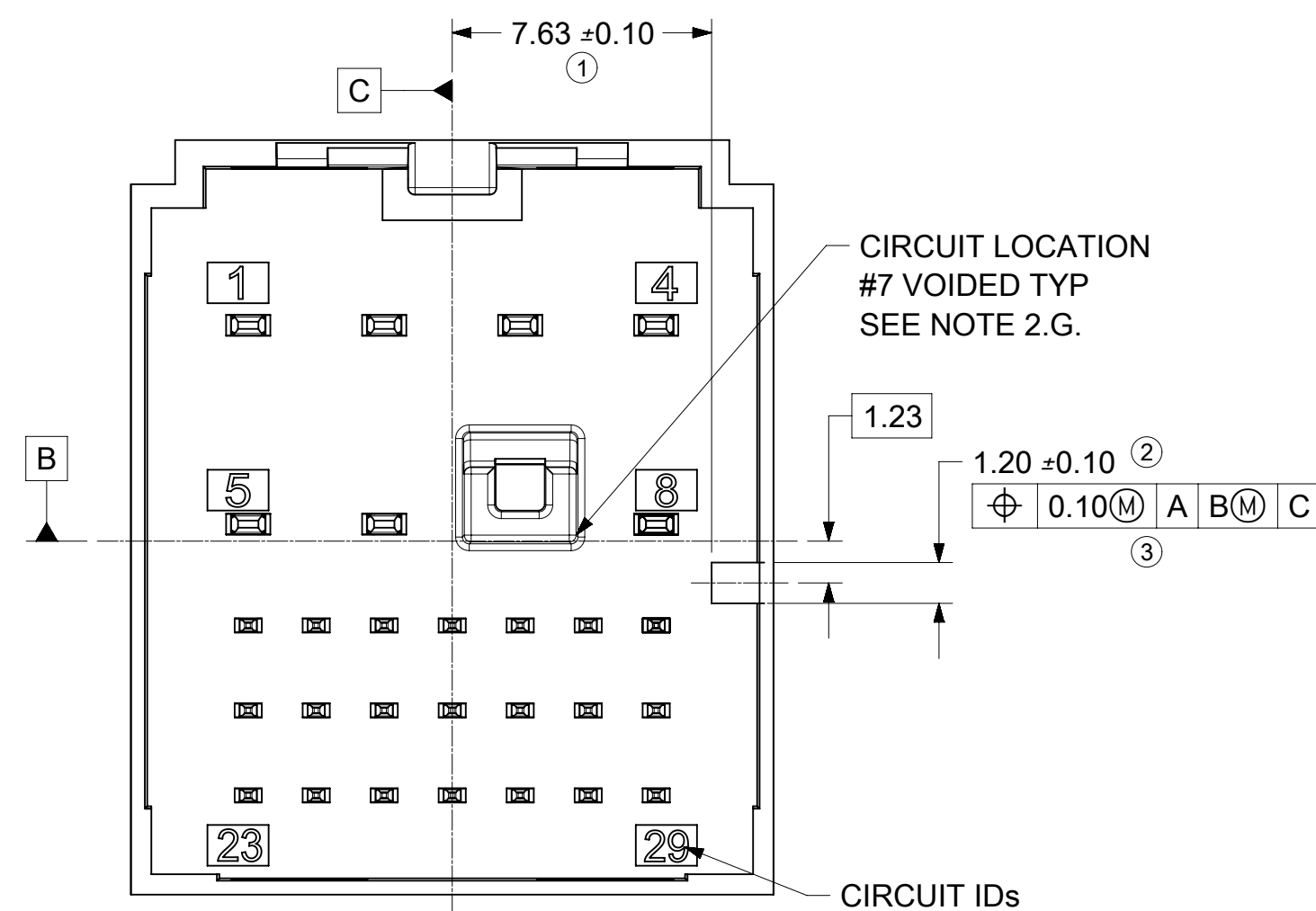
FUNCTIONAL SYMBOLS	THIS DRAWING CONTAINS INFORMATION THAT IS PROPRIETARY TO MOLEX ELECTRONIC TECHNOLOGIES, LLC AND SHOULD NOT BE USED WITHOUT WRITTEN PERMISSION		
	DIMENSION UNITS	SCALE	CURRENT REV DESC: UPDATED TAK50 TERMINAL PMS
$F_A = 0$	mm	5:1	
$F_E = 0$	GENERAL TOLERANCES (UNLESS SPECIFIED)		
$F_P = 0$	ANGULAR TOL $\pm 3.0^\circ$		
DIVISIONAL SYMBOLS	4 PLACES	\pm	EC NO: 648438
	3 PLACES	\pm	DRWN: YPENG47 2021/07/21
	2 PLACES	± 0.3	CHK'D: RCARLSON 2021/07/29
	1 PLACE	± 0.3	APPR: JCONDON 2021/08/02
	0 PLACES	± 0.3	INITIAL REVISION:
DRAFT WHERE APPLICABLE MUST REMAIN WITHIN DIMENSIONS		THIRD ANGLE PROJECTION	DRAWING SERIES MATERIAL NUMBER CUSTOMER SHEET NUMBER
			D-SIZE 160014 GENERAL MARKET 2 OF 2

molex

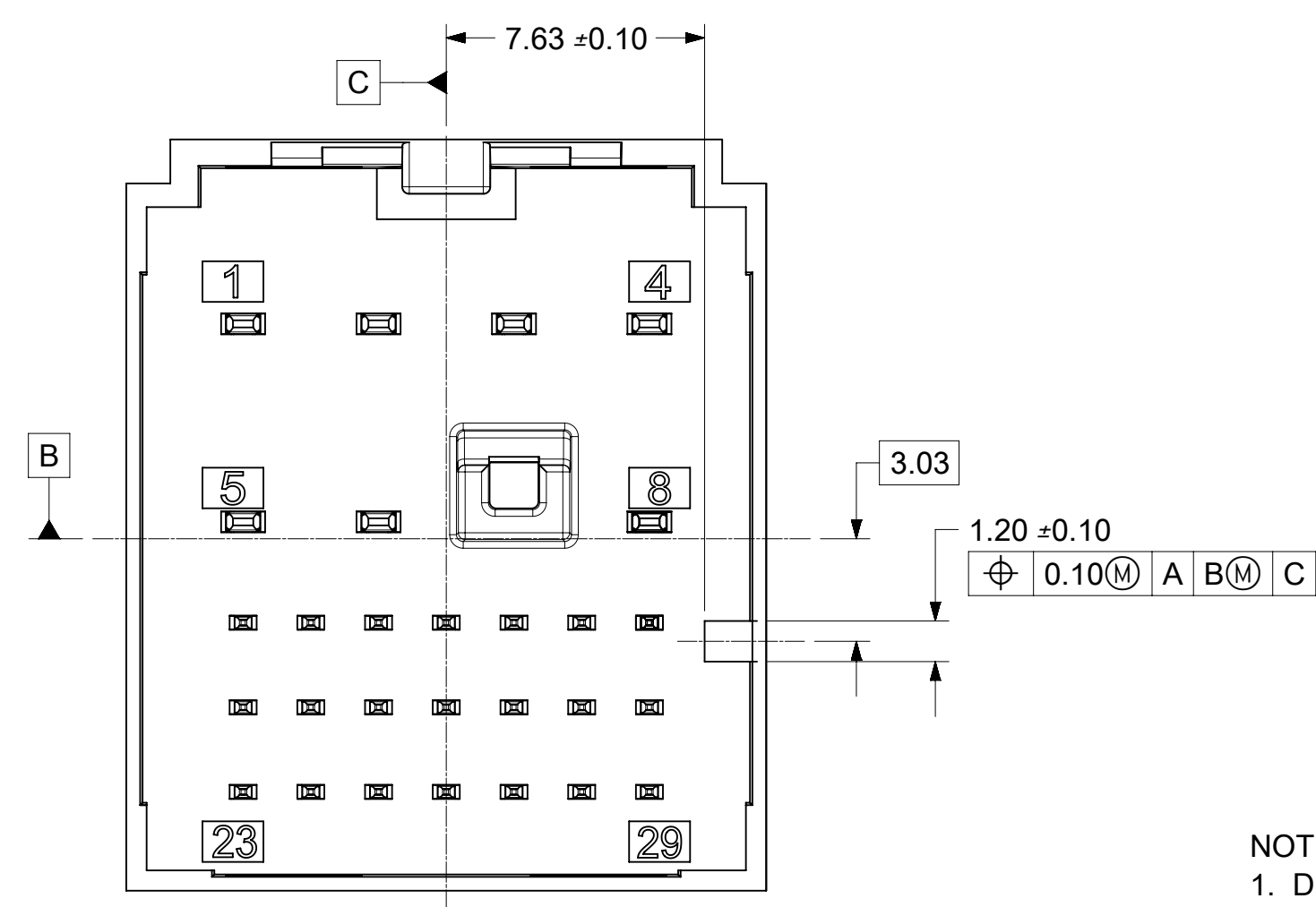
28 WAY STAK50H HYBRID ASSEMBLY CONNECTOR ASSEMBLY

PRODUCT CUSTOMER DRAWING

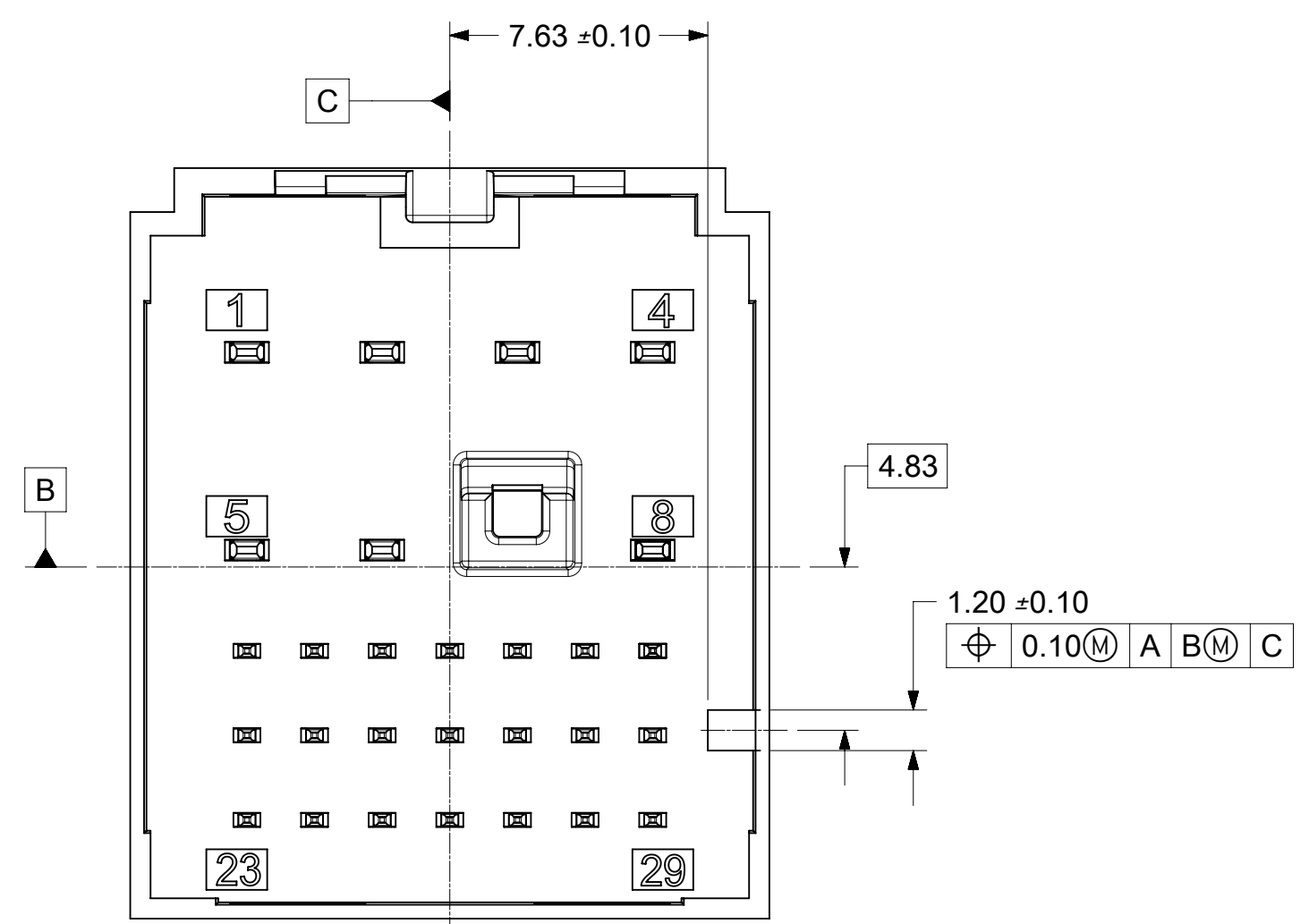
DOCUMENT NUMBER	DOC TYPE	DOC PART	REVISION
1600140011	PSD	000	A6



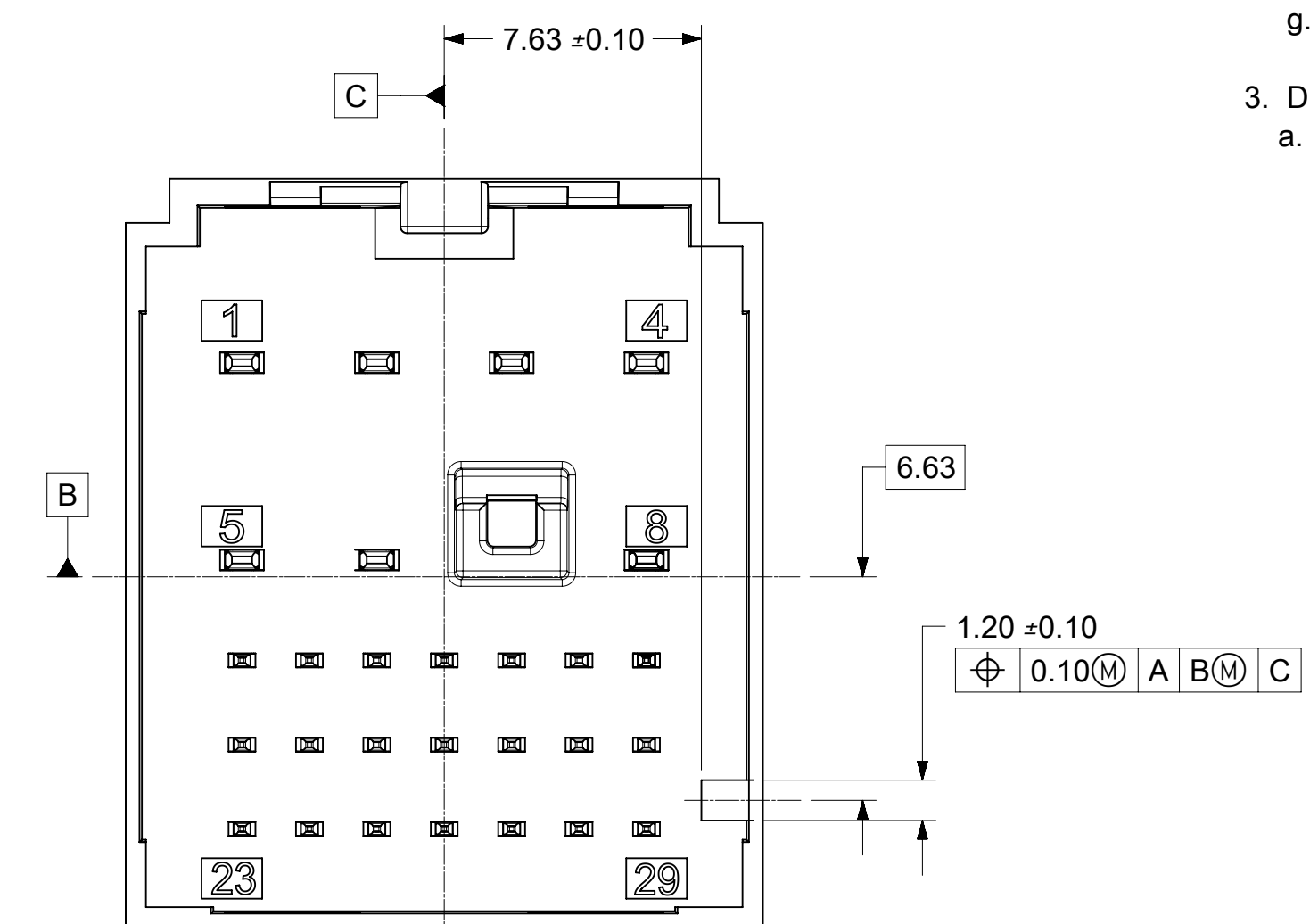
INTERFACE KEY #1
MATING CONNECTOR COLOR; DARK GRAY



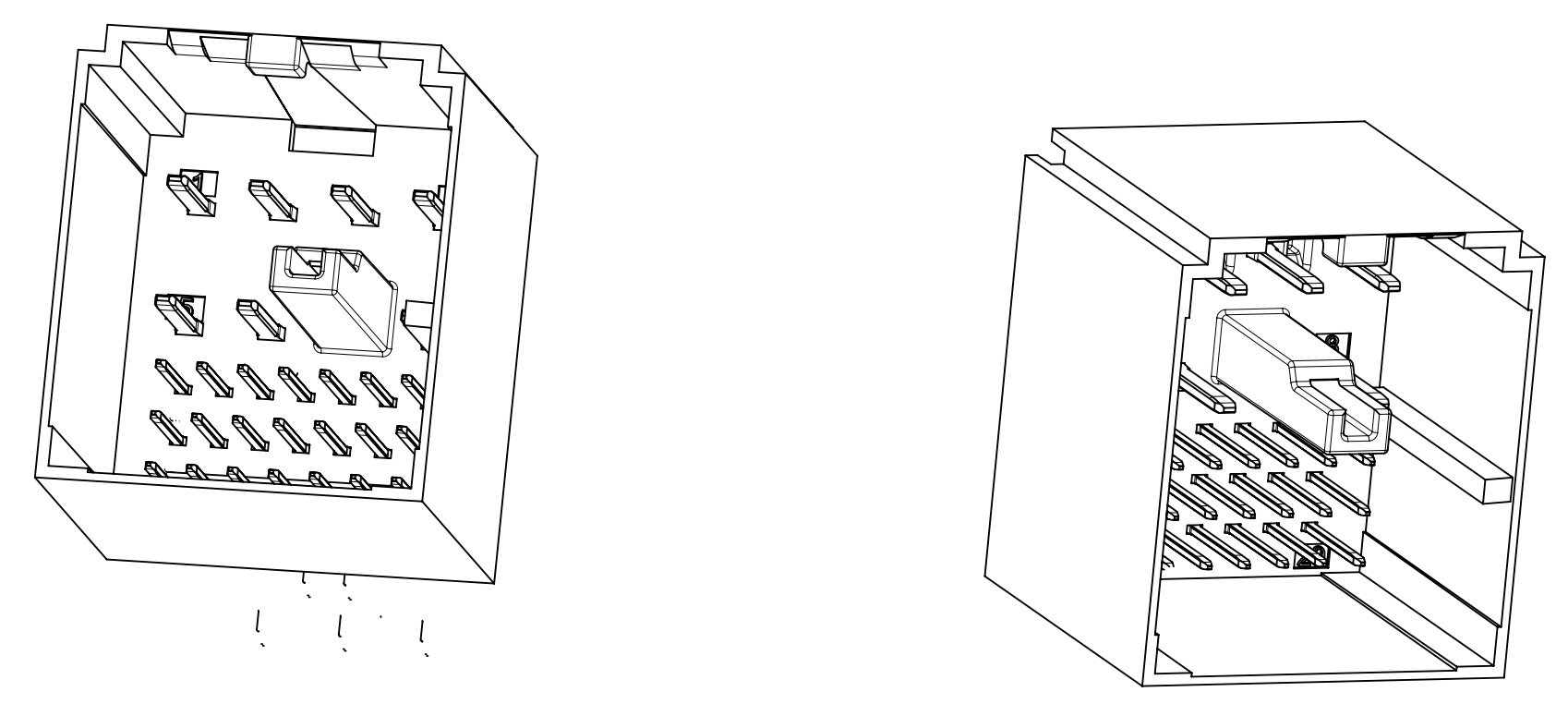
INTERFACE KEY #2
MATING CONNECTOR COLOR; LT GREEN A



INTERFACE KEY #3
MATING CONNECTOR COLOR; LIGHT GRAY



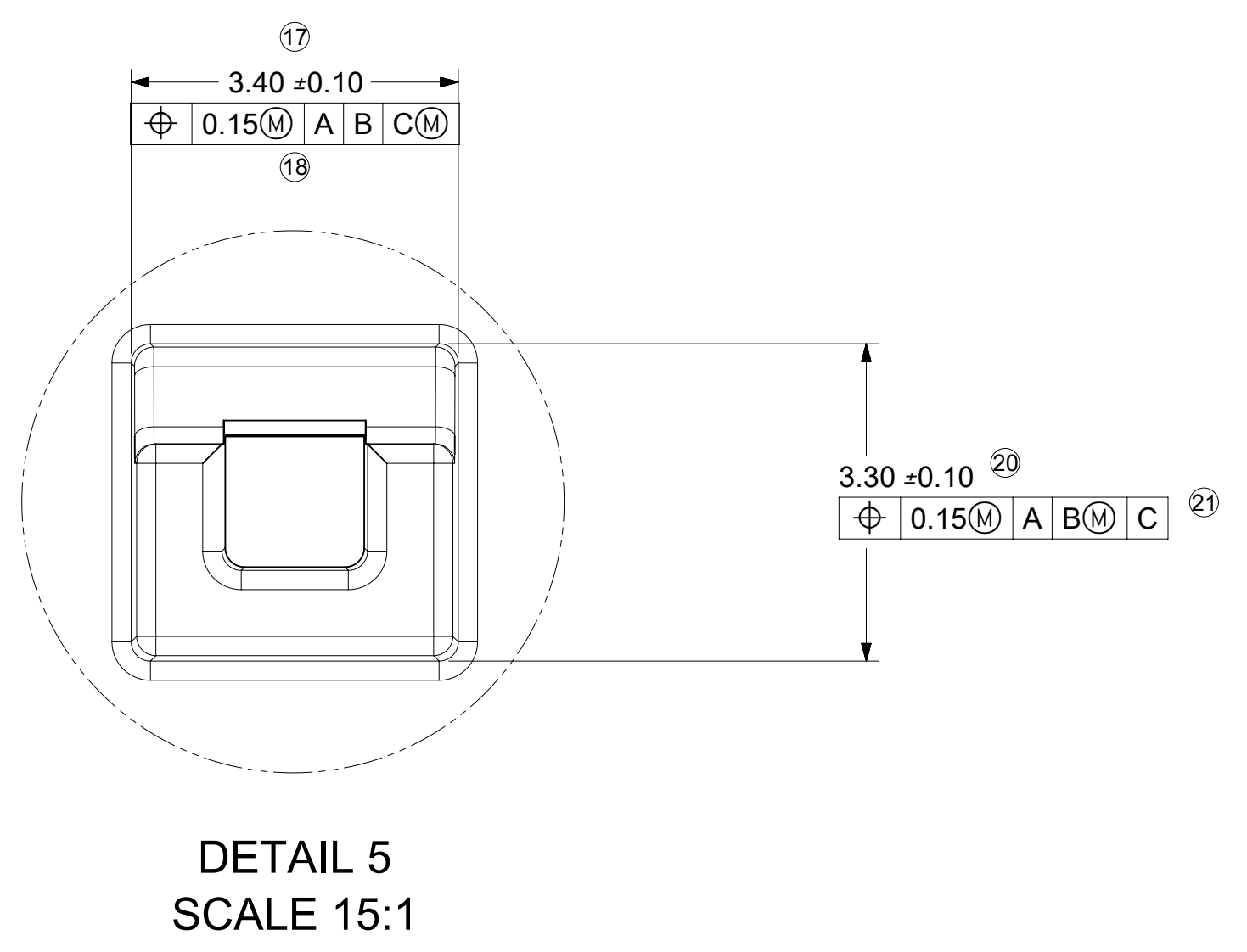
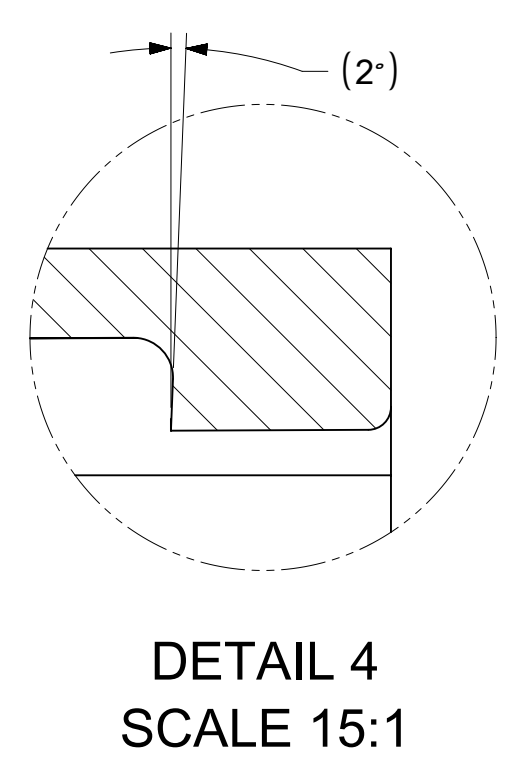
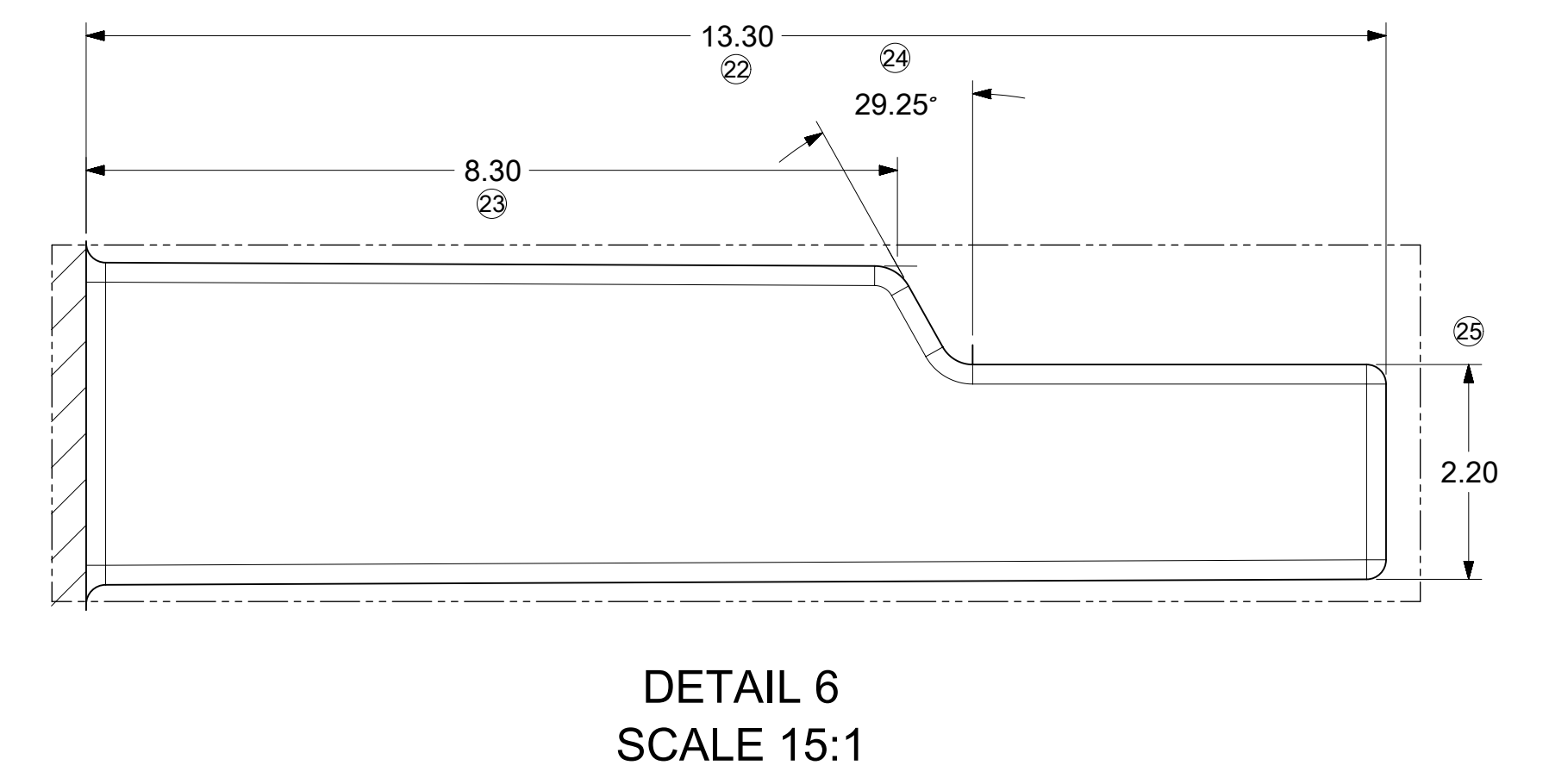
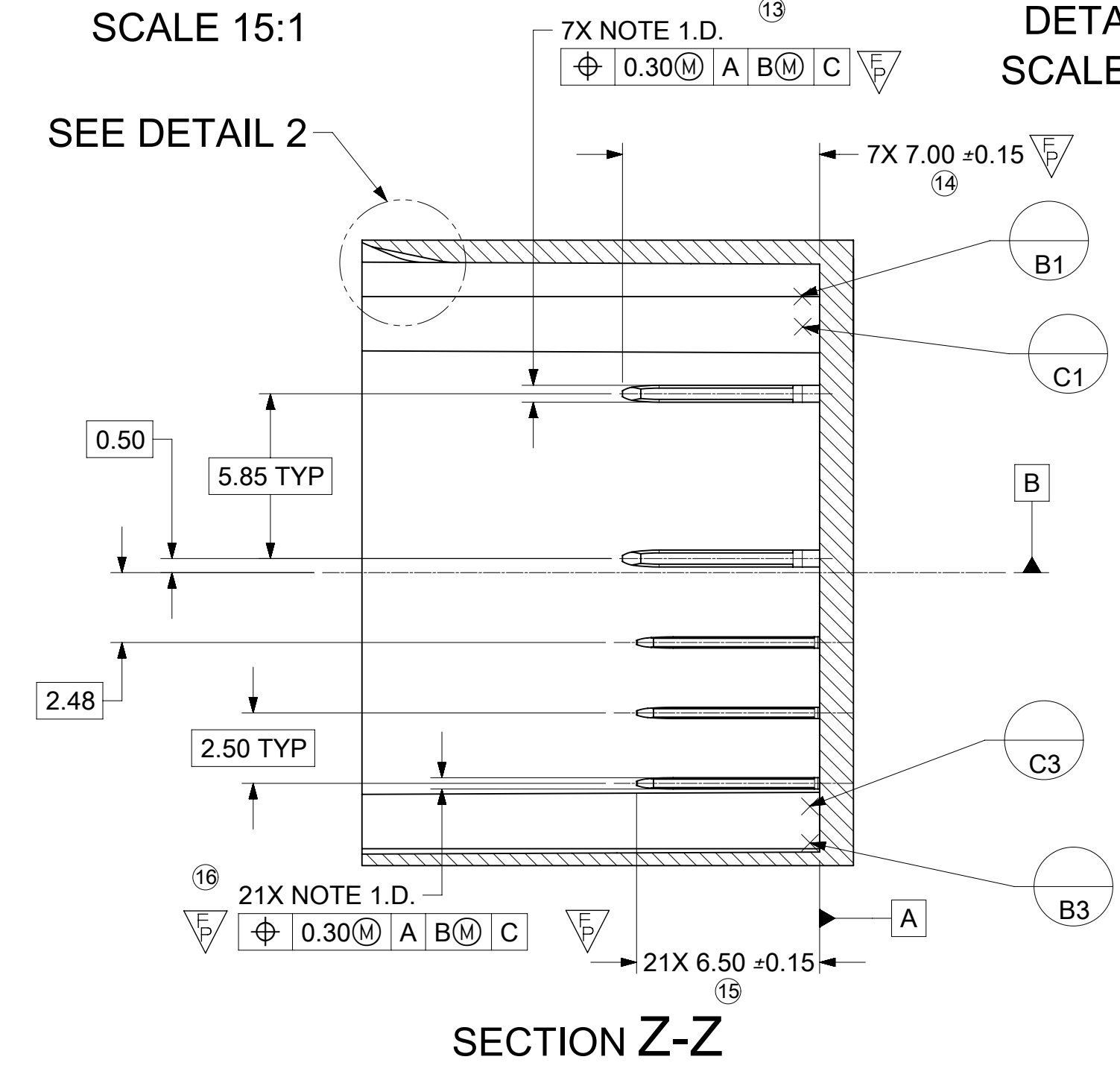
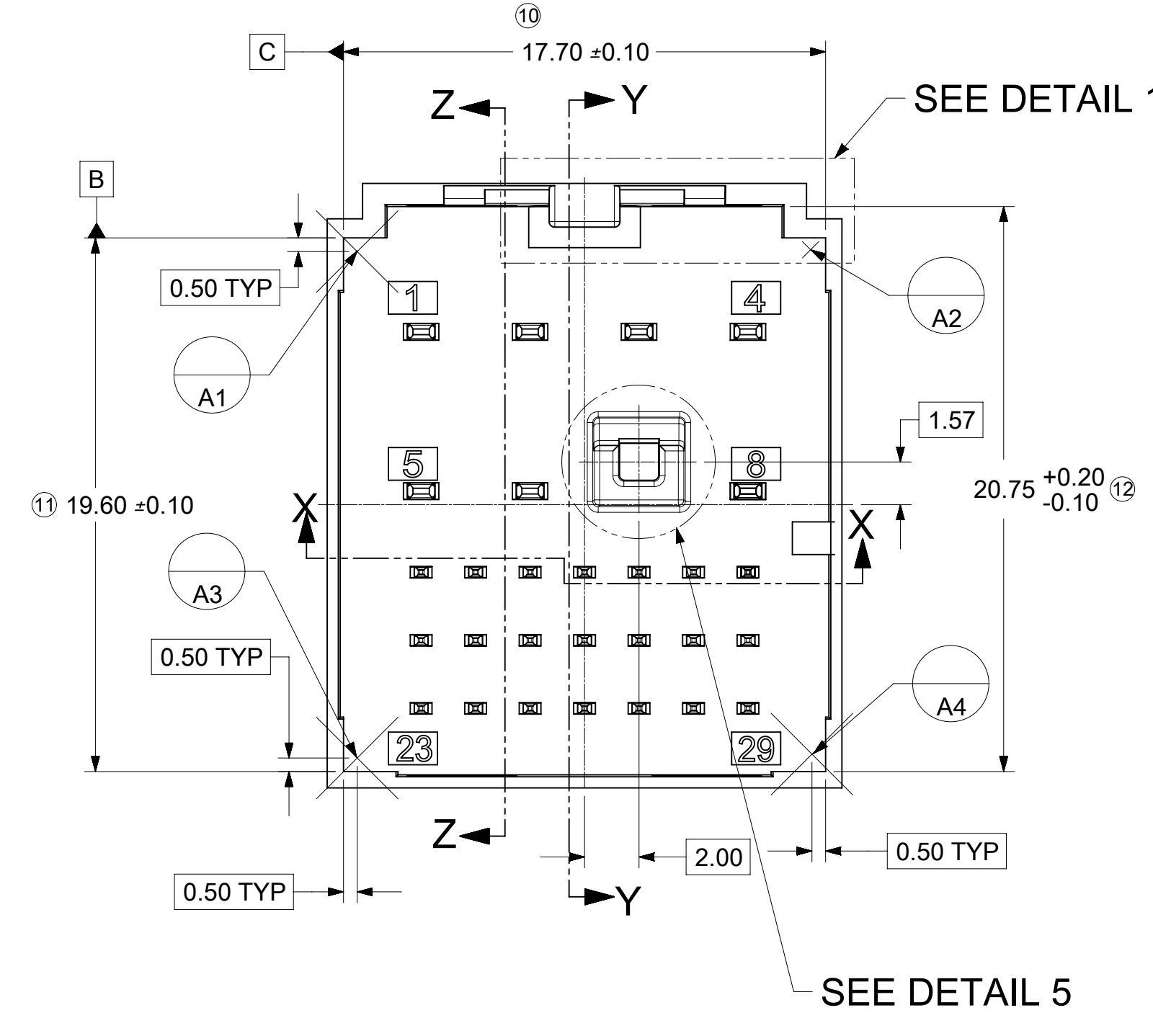
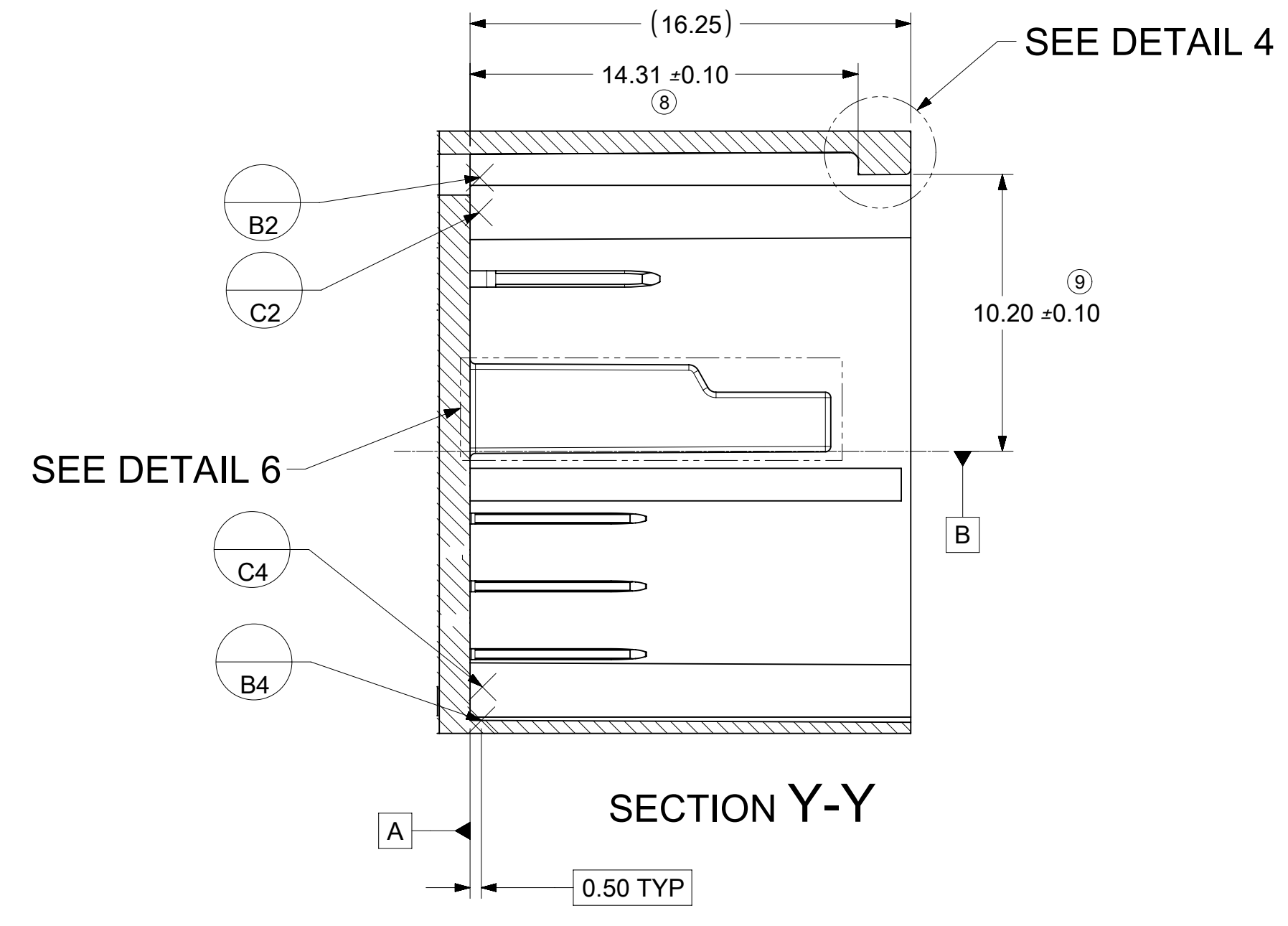
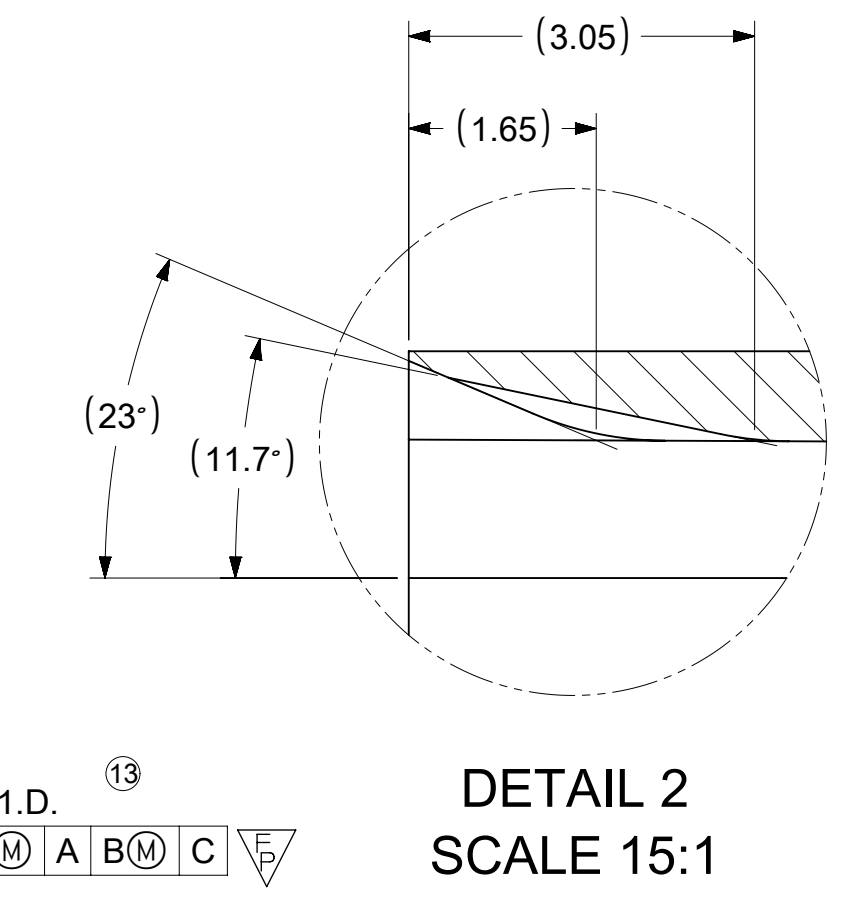
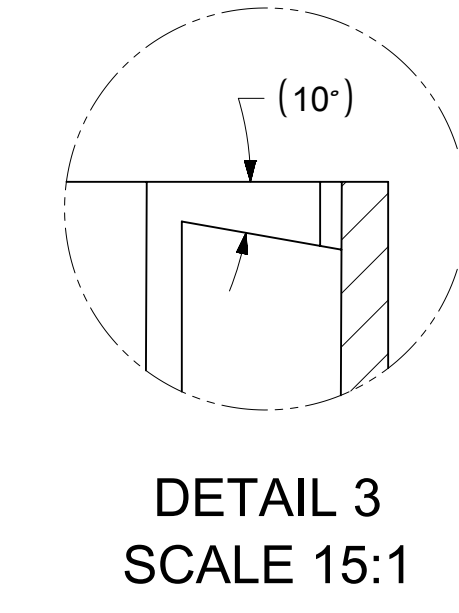
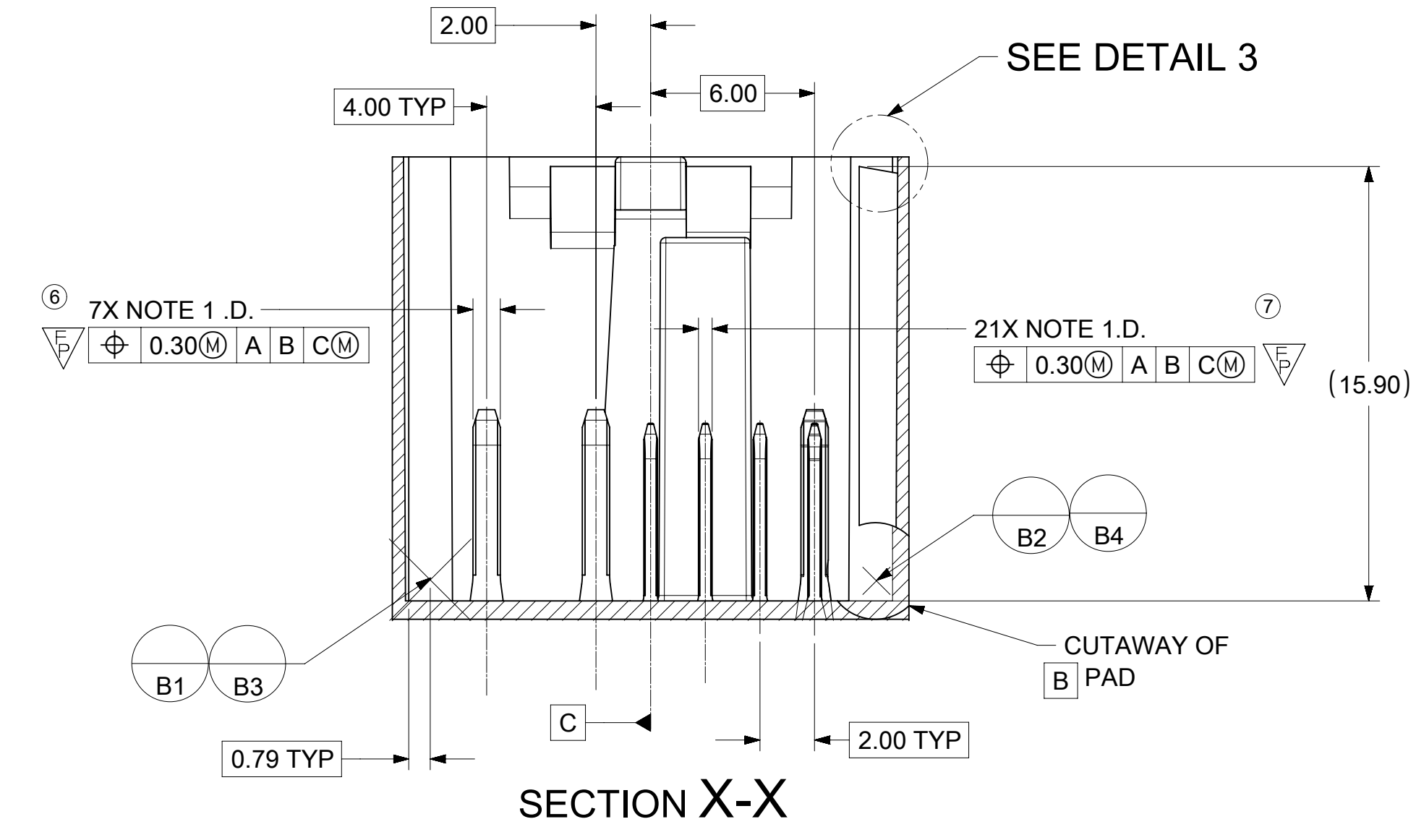
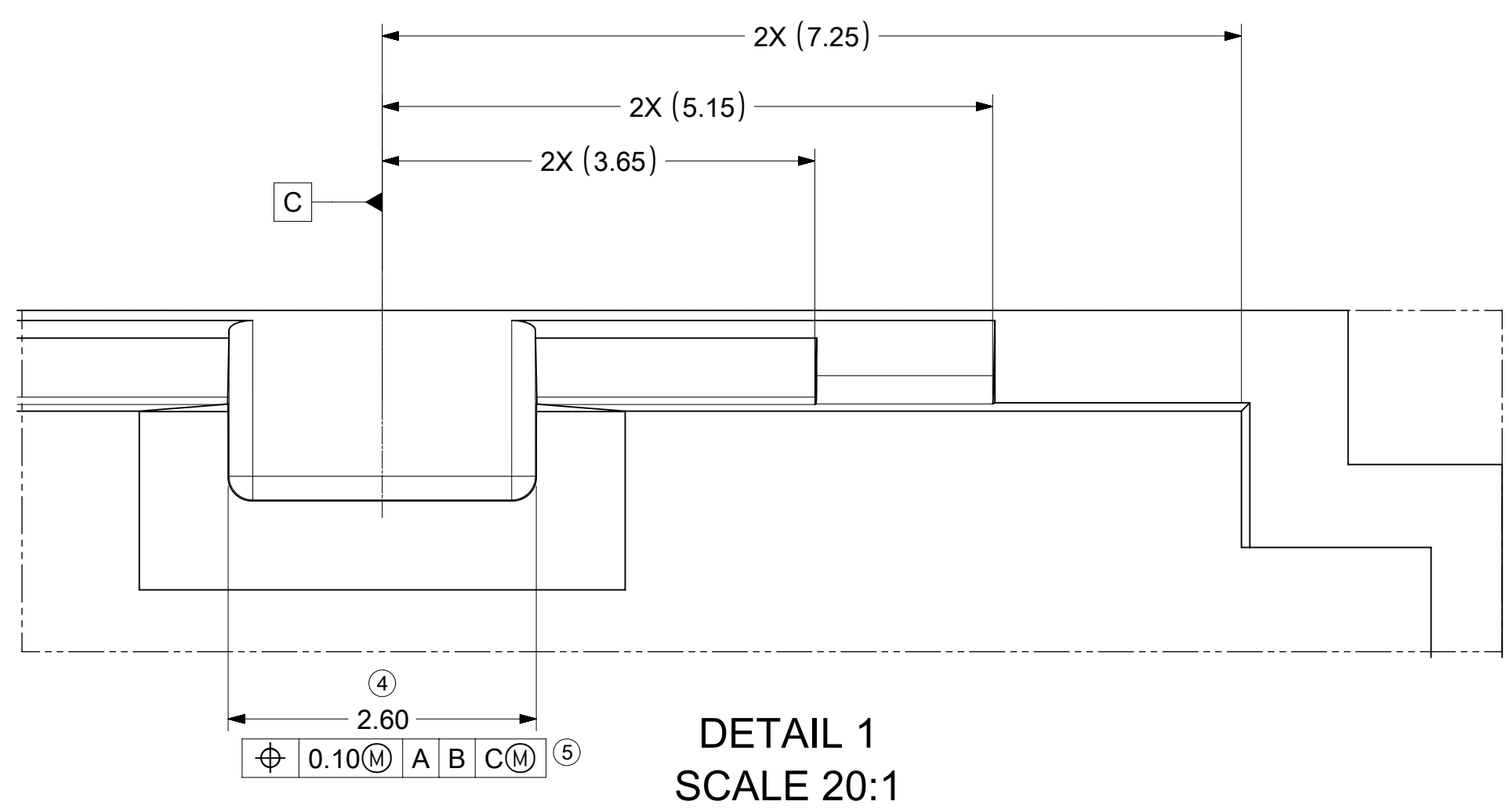
INTERFACE KEY #4
MATING CONNECTOR COLOR; BLACK



- NOTES: VALID UNLESS OTHERWISE SPECIFIED
- DESIGN - MATERIALS:
 - RESIN MATERIAL: PBT+GF30 OR SPS+GF30 OR EQUIVALENT
 - PIN/BLADE MATERIAL: ACCORDING TO USCAR DRAWING EWCAP-001 NOTE B2.
 - PLATING: ACCORDING TO USCAR DRAWING EWCAP-001 TIN REFLOW WITH UNDERPLATE.
 - PIN GEOMETRY ACCORDING TO USCAR DRAWING EWCAP-001 (120-T002 & 050-T001)
 - DEVIATION TO EWCAP-001 ACCEPTABLE IF PERFORMANCE (ELECTRICAL/MECHANICAL) IS SHOWN TO BE EQUAL OR BETTER AS REQUIRED BY VALIDATION TESTING.
 - DESIGN - GEOMETRY:
 - ALL GRAPHIC DATA IS BASIC (NO TOLERANCE) AND MUST BE TAKEN FROM THE DATA FILE AT ITS LATEST REVISION.
 - PRODUCT DESIGN MODEL NUMBER(S): SEE BOM TABLE
 - GEOMETRIC DIMENSIONS AND TOLERANCES PER ASME Y14.5M-2009
 - GENERAL TOLERANCES:
 - LINEAR: PER DIN 16901 LINEAR CODE B FOR PRECISION ENGINEERING
 - ANGULAR: ± 3°
 - EDGES AND UNDIMENSIONED DETAILS PER ISO13715
 - CORNERS SHOWN AS SHARP TO BE R 0.2 MAX.
 - CIRCUIT LOCATION #7 VOIDED FOR 28WAY INTERFACE
 - DESIGN - MANUFACTURING:
 - DRAFT TO BE WITHIN TOLERANCE.

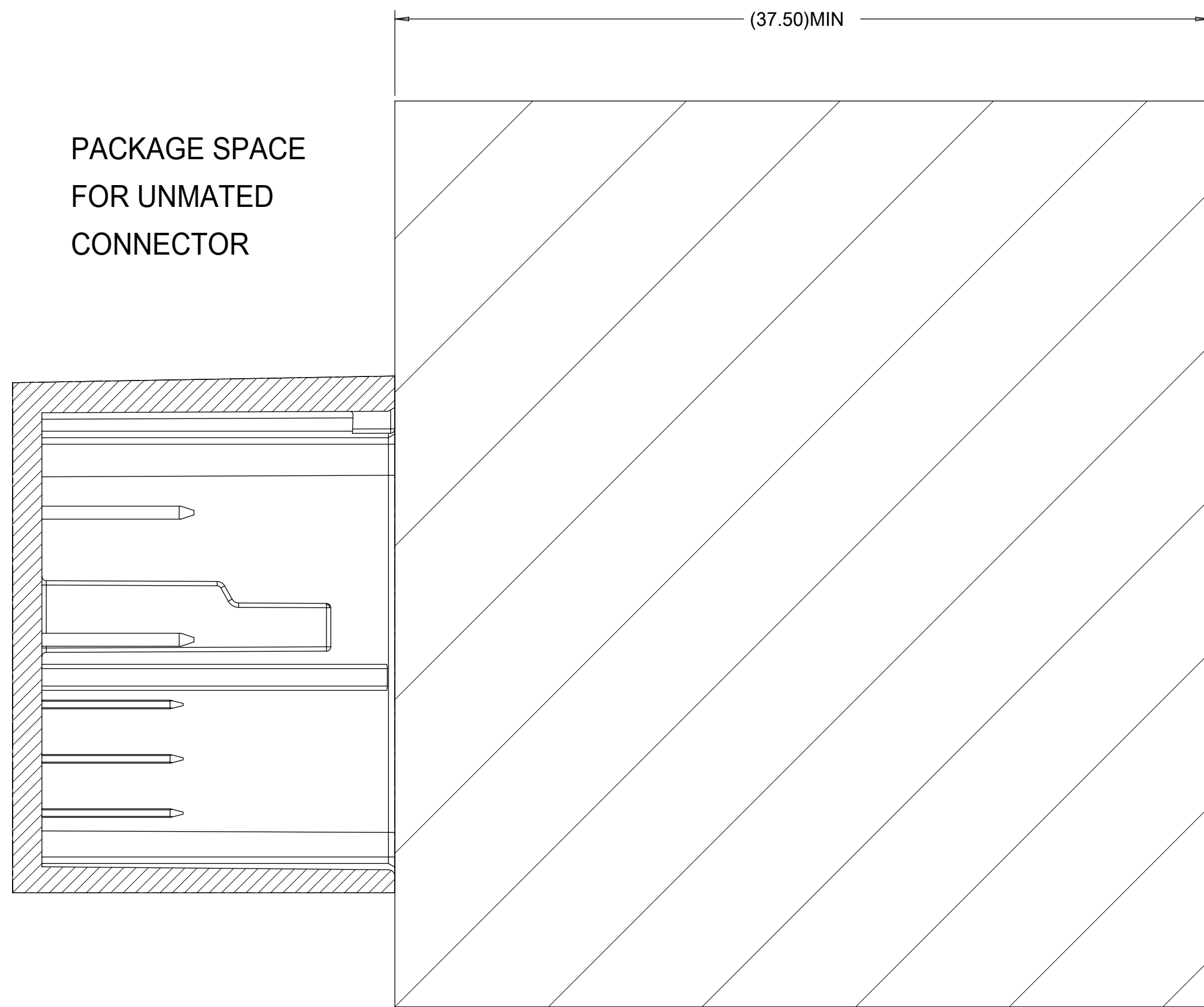
REV	DESCRIPTION
B1	ADDED BALLOONS JCONDON 07/31/2018
B	REMOVED 0.2MM FROM CONNECTOR LOCK TAB FEATURE
A3	NOTE 1.E. ADDED JCONDON 11/13/2017
A2	NX-REMASTERING SAP # 10867412
A1	UAU2016-1133 SAP # 10762453 JCONDON 02/02/2016
A	UAU2015-1973 SAP # 10701371 JCONDON 06/30/2015
6	UAU2015-1446 SAP # 10681629 JCONDON 03/25/2015
5	UAU2015-1212 SAP # 10674908 JCONDON 02/06/2015
4	UAU2015-0634 SAP # 10661788 JCONDON 10/22/2014
3	UAU2014-1679 SAP # XXXXXXXX BSCUDDER 04/28/2014
2	UAU2014-1221 SAP # XXXXXXXX MYOUNG01 01/21/2014
1	UAU2014-0715 SAP # XXXXXXXX MYOUNG01 11/14/2013

SYMBOLS	THIS DRAWING CONTAINS INFORMATION THAT IS PROPRIETARY TO MOLEX ELECTRONIC TECHNOLOGIES, LLC AND SHOULD NOT BE USED WITHOUT WRITTEN PERMISSION		CURRENT REV DESC: ADD DIMENSION BALLOONS		
	DIMENSION UNITS	SCALE			
▽ = 0	mm	5:1			28WAY STAK50H INTERFACE DRAWING PRODUCT CUSTOMER DRAWING
▽ = 0	GENERAL TOLERANCES (UNLESS SPECIFIED)				
▽ = 0	ANGULAR TOL ± °				EC NO: 602204 DRWN: JCONDON 2018/07/31 CHK'D: JCONDON 2018/08/03 APPR: MVANSLAMBROU 2018/08/03
▽ = 0	4 PLACES ±				
▽ = 0	3 PLACES ±				INITIAL REVISION: DRWN: MYOUNG01 2013/11/14 APPR: KDEKOSKI 2014/01/02
▽ = 0	2 PLACES ±				
▽ = 0	1 PLACE ±				DOCUMENT NUMBER SD-160014-002
▽ = 0	0 PLACES ±				
□ = 0	DRAFT WHERE APPLICABLE MUST REMAIN WITHIN DIMENSIONS		THIRD ANGLE PROJECTION	DRAWING	SERIES
▽ = 0				D-SIZE	160014
DOCUMENT STATUS			P1	RELEASE DATE	2018/08/03 19:41:28
DOCUMENT NUMBER			DOC TYPE	DOC PART	REVISION
			PSD	001	B1
MATERIAL NUMBER			CUSTOMER		SHEET NUMBER
			GENERAL MARKET		1 OF 3

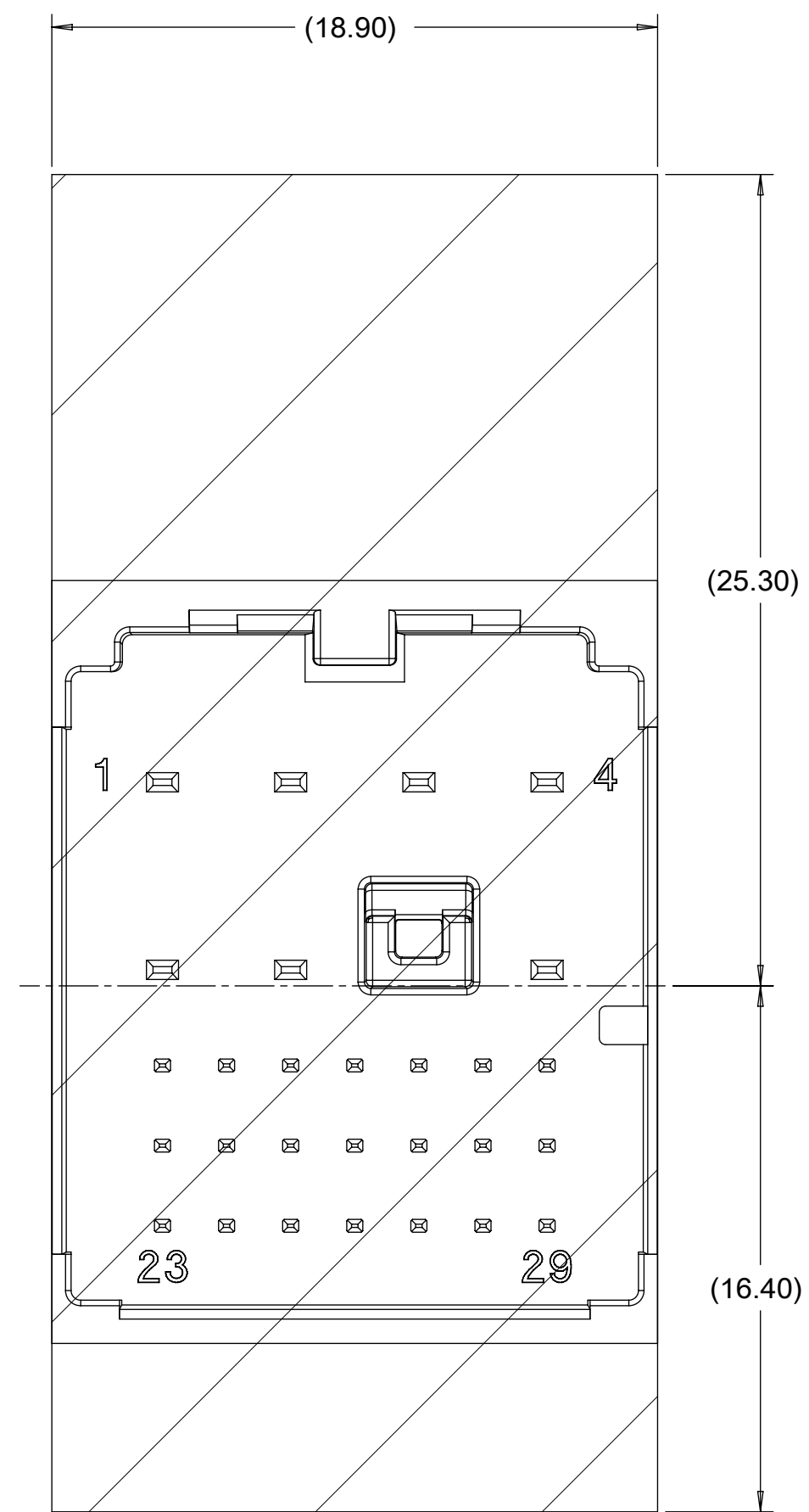


SYMBOLS	THIS DRAWING CONTAINS INFORMATION THAT IS PROPRIETARY TO MOLEX ELECTRONIC TECHNOLOGIES, LLC AND SHOULD NOT BE USED WITHOUT WRITTEN PERMISSION		
	DIMENSION UNITS	SCALE	CURRENT REV DESC: ADD DIMENSION BALLOONS
▽ = 0	mm	5:1	
▽ = 0	GENERAL TOLERANCES (UNLESS SPECIFIED)		
▽ = 0	ANGULAR TOL ± °		
▽ = 0	4 PLACES	±	
▽ = 0	3 PLACES	±	
▽ = 0	2 PLACES	±	
▽ = 0	1 PLACES	±	
▽ = 0	0 PLACES	±	
■ = 0	DRAFT WHERE APPLICABLE MUST REMAIN WITHIN DIMENSIONS		
▽ = 0	THIRD ANGLE PROJECTION	DRAWING	SERIES
		D-SIZE	160014
EC NO: 602204		DRWN: JCONDON	2018/07/31
CHK'D: JCONDON		APPR: MVANSLAMBROU	2018/08/03
INITIAL REVISION:		DRWN: MYOUNG01	2013/11/14
		APPR: KDEKOSKI	2014/01/02
DOCUMENT NUMBER		DOC TYPE	DOC PART
SD-160014-002		PSD	001
REVISION		B1	
MATERIAL NUMBER		CUSTOMER	SHEET NUMBER
		GENERAL MARKET	2 OF 3

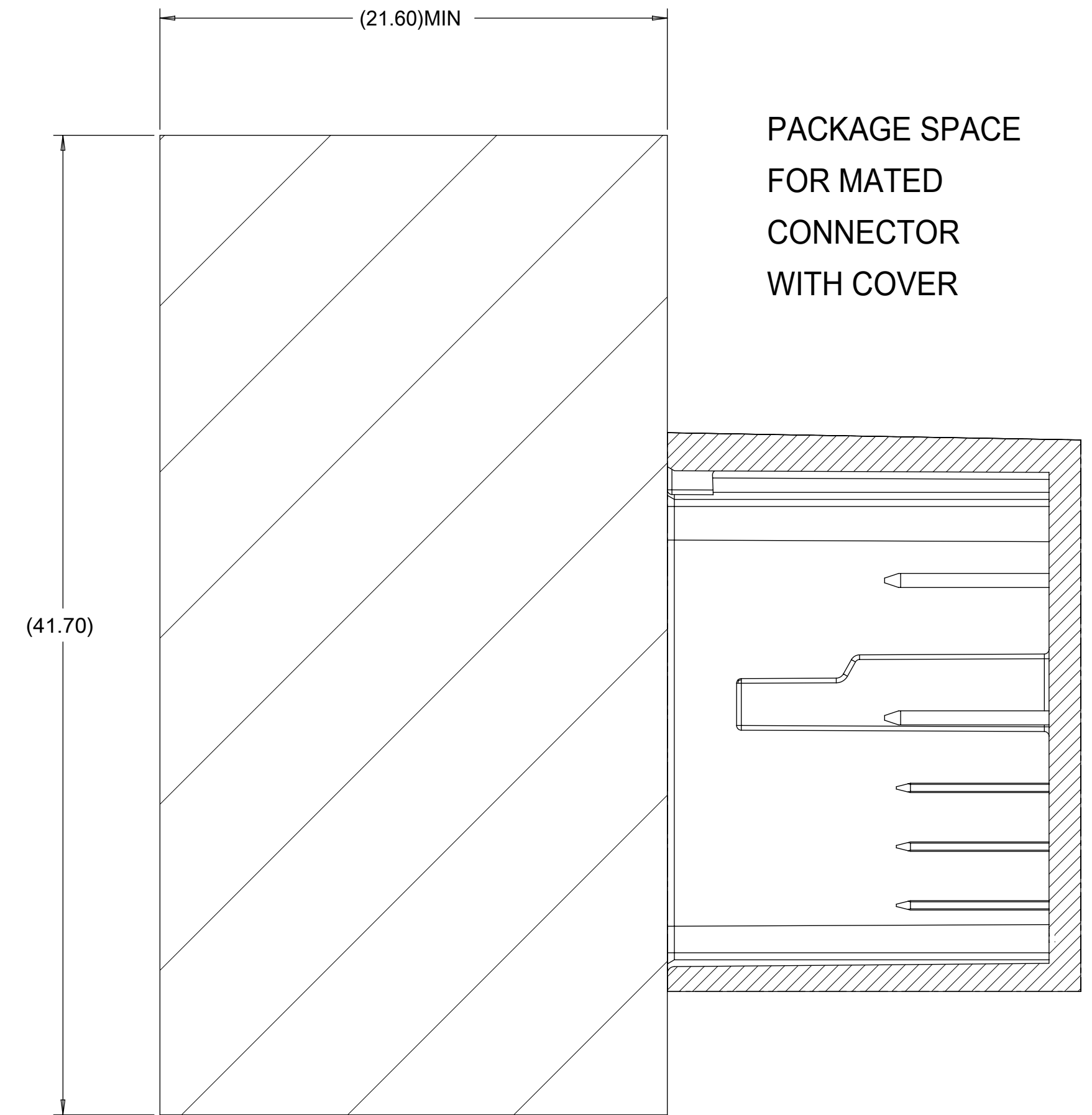
PACKAGE SPACE
FOR UNMATED
CONNECTOR



PACKAGE SPACE
FOR CONNECTOR



PACKAGE SPACE
FOR MATED
CONNECTOR
WITH COVER



SYMBOLS	THIS DRAWING CONTAINS INFORMATION THAT IS PROPRIETARY TO MOLEX ELECTRONIC TECHNOLOGIES, LLC AND SHOULD NOT BE USED WITHOUT WRITTEN PERMISSION		
	DIMENSION UNITS	SCALE	CURRENT REV DESC: ADD DIMENSION BALLOONS
▽ = 0	mm	5:1	
▽ = 0	GENERAL TOLERANCES (UNLESS SPECIFIED)		
▽ = 0	ANGULAR TOL ± °		
▽ = 0	4 PLACES		EC NO: 602204
▽ = 0	3 PLACES		DRWN: JCONDON 2018/07/31
▽ = 0	2 PLACES		CHK'D: JCONDON 2018/08/03
▽ = 0	1 PLACE		APPR: MVANSLAMBROU 2018/08/03
□ = 0	0 PLACES		INITIAL REVISION:
■ = 0	DRAFT WHERE APPLICABLE MUST REMAIN WITHIN DIMENSIONS		DRWN: MYOUNG01 2013/11/14
▽ = 0	THIRD ANGLE PROJECTION		APPR: KDEKOSKI 2014/01/02
	DRAWING		SERIES
	D-SIZE		160014
DOCUMENT STATUS		RELEASE DATE	DOCUMENT NUMBER
P1	2018/08/03 19:41:28	SD-160014-002	DOC TYPE
		PSD	DOC PART
		001	REVISION
		B1	
MATERIAL NUMBER		CUSTOMER	SHEET NUMBER
GENERAL MARKET			3 OF 3