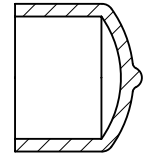
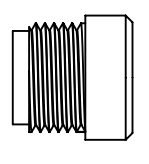
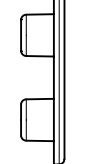
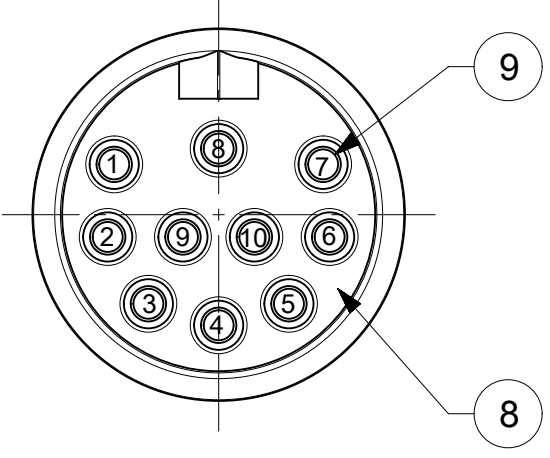


MATERIAL NO.	ENGINEERING NO.	FINISHED LENGTH
1201150055	803P802	12 IN
1201150069	803P802-02	2M (6FT 7IN)
1201150073	803P802-06	6M (19FT 8IN)

CABLE LENGTH TOLERANCES
 <.3M [1FT]: +19mm-0 [+1.75in-0]
 .3 - .9M [1 - 3FT]: +44.5mm-0 [+1.75in-0]
 .9 - 1.8M [3 - 6FT]: +55.6mm-0 [+2.19in-0]
 1.8 - 3.7M [6 - 12FT]: +88.9mm-0 [+3.50in-0]
 3.7 - 7.3M [12 - 24FT]: +165.1mm-0 [+6.50in-0]
 7.3-14.6M [24 - 48FT]: +317.5mm-0 [+12.50in-0]
 14.6 - 30.5M [48-100FT]: +622.3mm-0 [+24.50in-0]
 OVER 30M [100FT] +2% OF FINISHED LENGTH

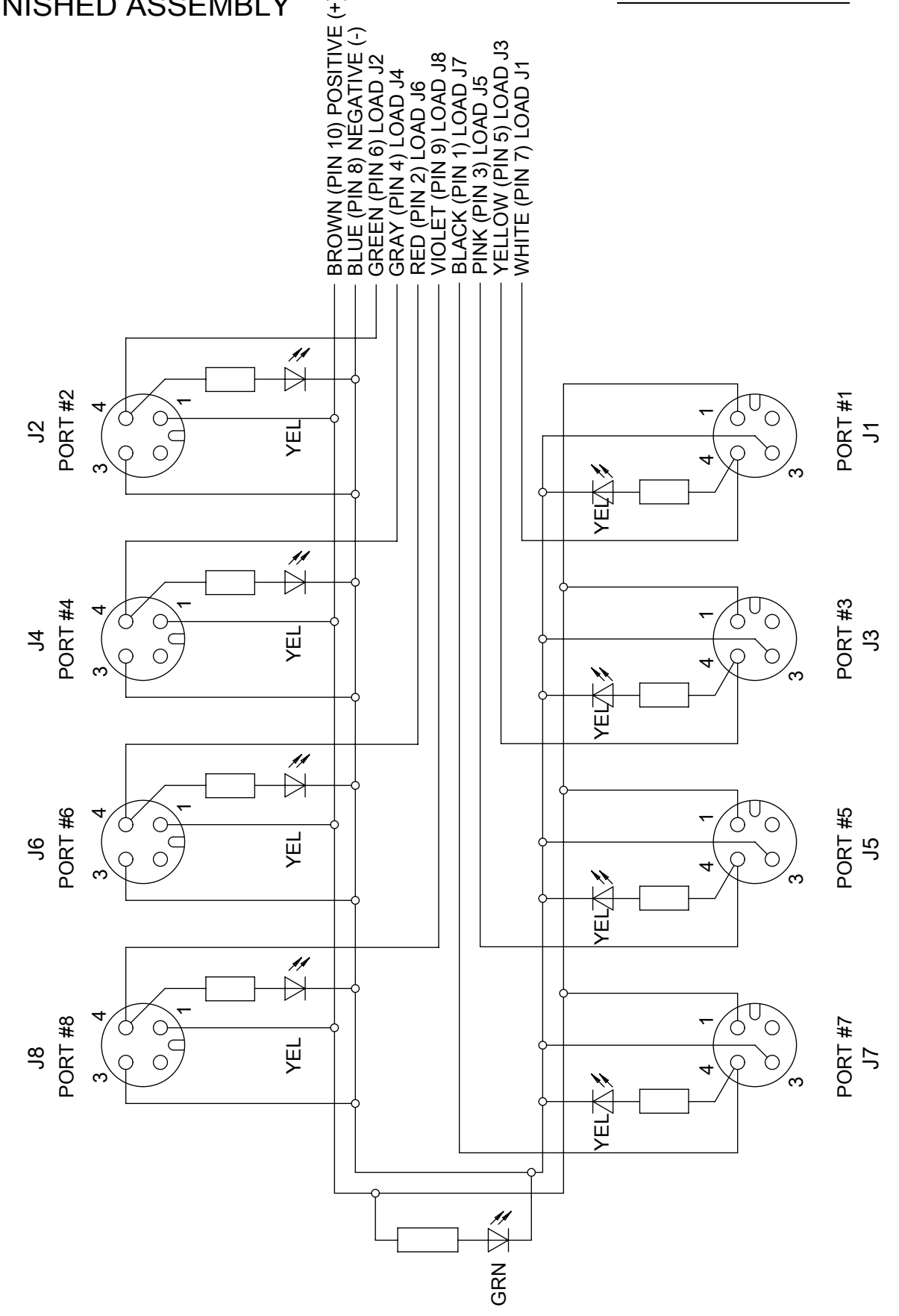
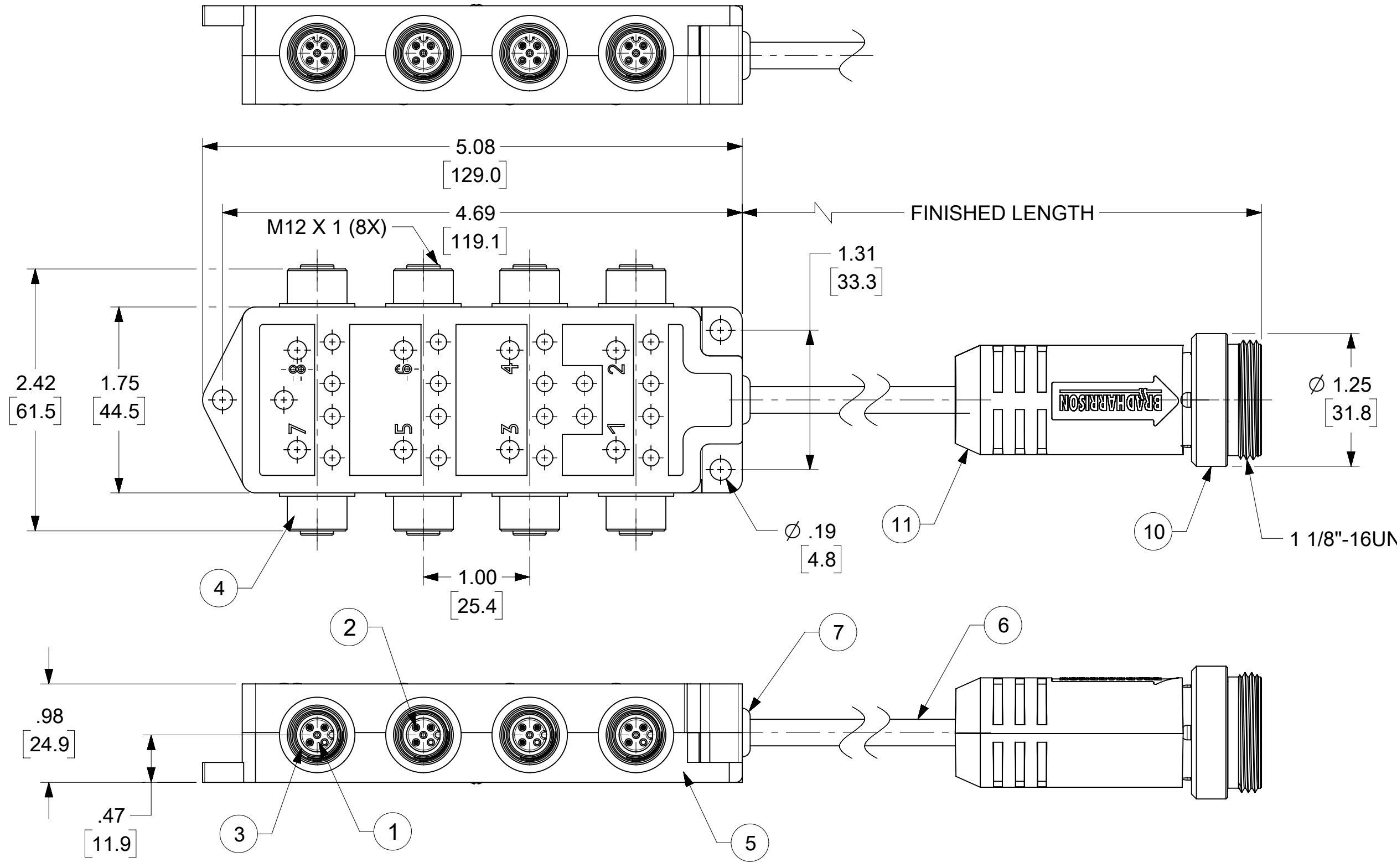
DUST PROTECTOR	BLANKING PLUG	MPIS ID LABEL
		
1201160026 (70-1710)	1203090067 (BG12103)	1203080681 (BG12490)



LENGTH: BLANK = 12IN
 -02 = 2M
 -06 = 6M
 -10 = 10M
 CAT # 803P802-XX

PARTS NOTED ABOVE ARE PACKED UNASSEMBLED WITH FINISHED ASSEMBLY

MALE FACE VIEW



WIRING SCHEMATIC

NOTE: KEYWAY ORIENTATION SHOWN IN WIRING SCHEMATIC DOES NOT REFLECT THE ACTUAL KEYWAY ON THE PRODUCT.

ITEM	DESCRIPTION	MATERIAL	FINISH
11	OVERMOLD	TPE	YELLOW
10	COUPLING NUT	ZINC DIE-CAST	BLACK E-COAT
9	CONTACT PIN	COPPER ALLOY	GOLD PLATED
8	INSERT	TPE	YELLOW
7	GROMMET	NITRILE	BLACK
6	CABLE, #22-9 #18-1	PVC JACKET	YELLOW
5	HOUSING, 8 PORT	NYLON	YELLOW
4	RECEPTACLE SHELL	ZINC DIE-CAST	BLACK E-COAT
3	O-RING	NITRILE	RED
2	CONTACT SOCKET	COPPER ALLOY	GOLD PLATED
1	INSERT	NYLON	BLACK

- NOTES:**
1. MATERIAL: AS NOTED
 2. FINISH: AS NOTED
 3. ELECTRICAL:
VOLTAGE: 10-30 VDC
CURRENT: 4A
 4. TEMP RATING: -20°C TO +80°
 5. PROTECTION: IP67 (WHEN MATED)
 6. ALL DIMS ARE FOR REFERENCE UNLESS NOTED OTHERWISE.

FUNCTIONAL SYMBOLS	THIS DRAWING CONTAINS INFORMATION THAT IS PROPRIETARY TO MOLEX ELECTRONIC TECHNOLOGIES, LLC AND SHOULD NOT BE USED WITHOUT WRITTEN PERMISSION		CURRENT REV DESC: CORRECTED SIDE VIEW KEYS ORIENTATION. ADDED KEYWAY ORIENTATION NOTE: VOLTAGE WAS 250V.	
	DIMENSION UNITS	SCALE	EC NO: 747593	
$F_A = 0$	INCH[MM]	NTS	DRWN: VASUTHKARP	2023/04/26
$F_C = 0$	GENERAL TOLERANCES (UNLESS SPECIFIED)		CHK'D: MBRZOZOWSKI	2023/04/28
$F_P = 0$			APPR: BWOODMAN	2023/04/28
DIVISIONAL SYMBOLS			INITIAL REVISION:	
			DRWN: BW	2009/08/27
			APPR: JFMURPHY	2009/08/28
	ANGULAR TOL	°	THIRD ANGLE PROJECTION	
	DRAFT WHERE APPLICABLE MUST REMAIN WITHIN DIMENSIONS		DRAWING	SERIES
			C-SIZE	120115
DOCUMENT STATUS	P1	RELEASE DATE	2023/04/28	21:13:41



MICRO-CHANGE MPIS
8 PORT SIDE MOUNT PNP MC 10P M/M/P PVC

PRODUCT CUSTOMER DRAWING

DOCUMENT NUMBER: SD-120115-009
DOC TYPE: PSD
DOC PART: 001
REVISION: B2

MATERIAL NUMBER: SEE TABLE
CUSTOMER: GENERAL MARKET
SHEET NUMBER: 1 OF 1