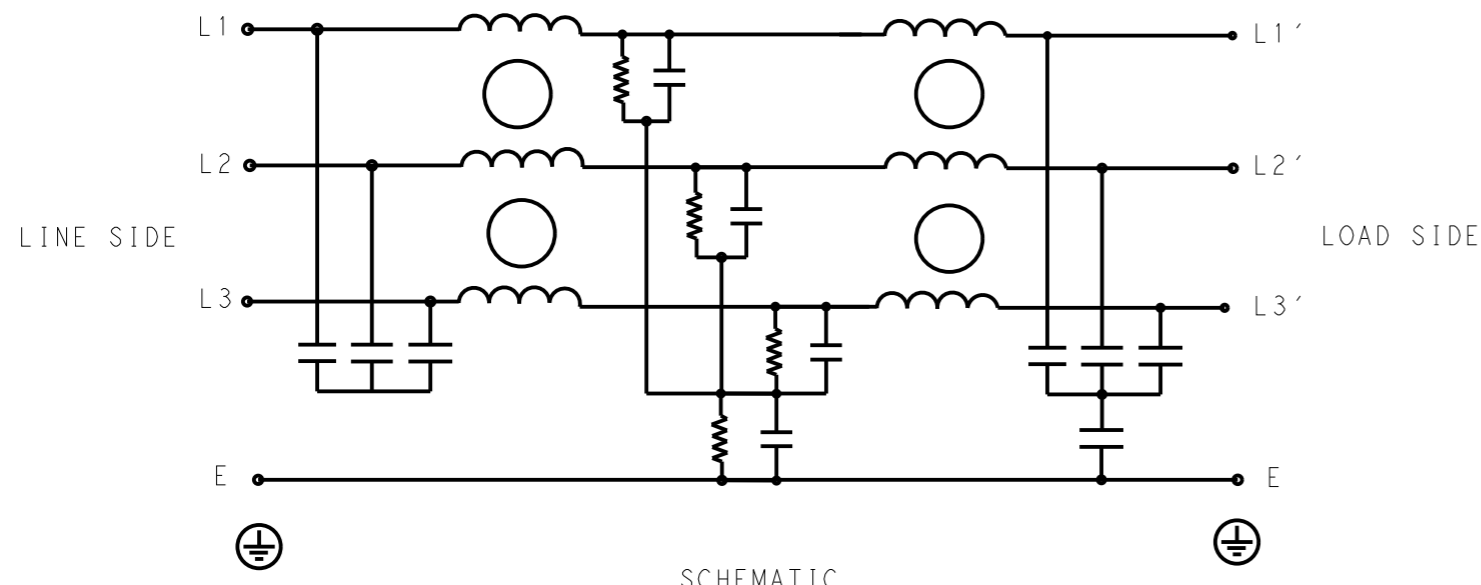


REVISIONS

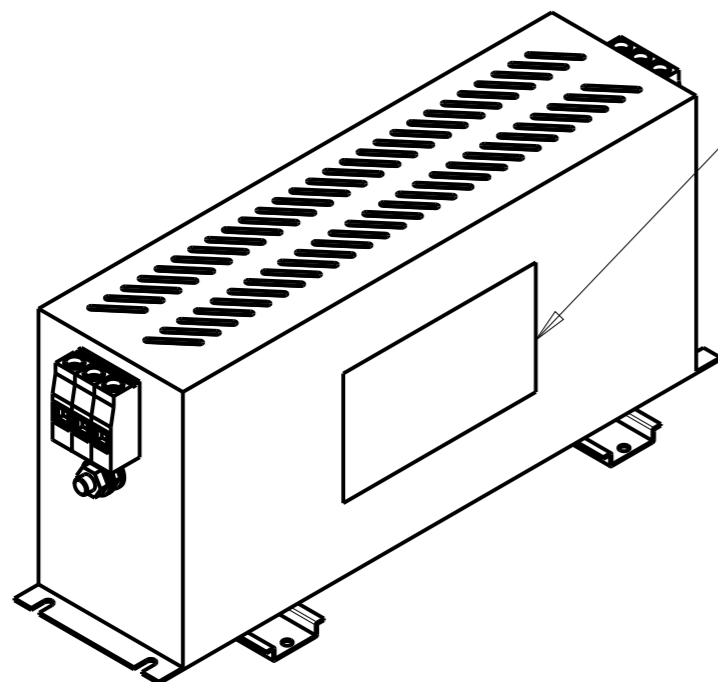
P	LTR	DESCRIPTION	DATE	DWN	APVD
	A	INITIAL RELEASE	26APR2021	SR	CB



SCHEMATIC

TYPICAL INSERTION LOSS
COMMON MODE 50/50Ω; DIFFERENTIAL MODE 50/50Ω

MHz	0.01	0.05	0.15	0.5	1	3	5	10	30
CM	35	36	62	72	70	65	50	47	30
DM	25	24	28	65	75	60	46	26	24



LABEL TO TE MARKING SPECIFICATION

SAFETY ORGANIZATIONS

THIS FILTER WILL BE FORMALLY RECOGNIZED, CERTIFIED OR APPROVED BY THE LISTED AGENCY. THEREFORE, ALL TEST/REQUIREMENTS SPECIFIED IN THE LATEST REVISION OF THE FOLLOWING AGENCY STANDARDS WILL BE MET:

UL APPROVED 75A 440V 50Hz/60Hz 40°C
 CSA APPROVED 75A 440V 50Hz/60Hz 40°C

OPERATING SPECIFICATION

LINE CURRENT/VOLTAGE: 75A, 440VAC
LINE FREQUENCY: 50/60Hz

MAXIMUM LEAKAGE CURRENT: 15mA @ 230VAC, 50Hz

OPERATING AMBIENT TEMPERATURE RANGE @ RATED CURRENT: -25°C TO +40°C

IN AN AMBIENT, T_a, HIGHER THAN 40°C, THE MAXIMUM OPERATING CURRENT, I_o, IS AS FOLLOWS:

$$I_o = I_r \sqrt{\frac{85 - T_a}{45}}$$

RELIABILITY SPECIFICATIONS

STORAGE TEMPERATURE: -40°C TO +85°C
HUMIDITY: 21 DAYS @ 40°C AND 95% RH

TEST SPECIFICATIONS

INDUCTANCE, NOMINAL: 0.7mH

CAPACITANCE @ 1kHz
LINE TO GROUND, NOMINAL: 1.46μF
LINE TO LINE, NOMINAL: 3.3μF

DISCHARGE RESISTOR

L/L I.R. 3MΩ 2W
 L/N I.R. XXX
 L/G I.R. 680KΩ 2W
 N/G I.R. XXX
 IR (NO DISCHARGE RESISTOR) 20°C, 50% RH AND 100VDC, MIN: 6MΩ

RECOMMENDED RECEIVING INSPECITON HIPOI

LINE TO GROUND FOR 1 MINUTE: 2632VDC
LINE TO LINE FOR 1 MINUTE: 1892VDC

FILTER APPROVAL

THE BEST WAY TO SELECT AND QUALIFY A FILTER IS FOR YOUR ENGINEERING TO TEST THE UNIT IN YOUR EQUIPMENT.

THIS DRAWING IS A CONTROLLED DOCUMENT.

DIMENSIONS: mm	TOLERANCES UNLESS OTHERWISE SPECIFIED:
	0 PLC ±.5 1 PLC ±0.5 2 PLC ±0.40 3 PLC ±0.130 4 PLC ±0.0500 ANGLES ±.
MATERIAL	FINISH
-	-

DWN SUPREETH R 26APR2021
CHK CHRIS BOLLE 26APR2021
APVD CHRIS BOLLE 26APR2021
PRODUCT SPEC
APPLICATION SPEC
WEIGHT
CUSTOMER DRAWING

TE TE Connectivity

NAME: POWER LINE FILTER FOR DIN RAIL 35 INSTALLATION 75KEHD10ABSDHM

SIZE	CAGE CODE	DRAWING NO	RESTRICTED TO
A3	00779	C-3-1609969-8	-

SCALE: 3:10 SHEET 1 OF 2 REV A

© 2021 TE Connectivity. All Rights Reserved.

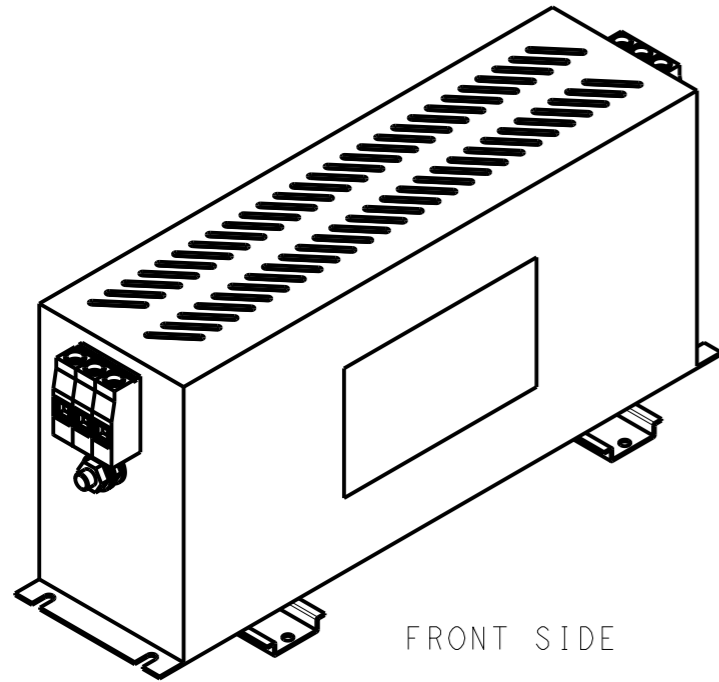
NOTE 1 GROUND CONNECTION:
 FOR ELECTRICAL SAFETY AND FILTER PERFORMANCE
 UNIT MUST HAVE A GOOD GROUND CONNECTION.
 TORQUE OUTER TERMINAL SCREWS: 2-2.2Nm / 18 -19.8 in.lbs
 TORQUE GROUND NUTS: 3.5-6Nm

NOTE 2 INPUT OUTPUT CONNECTION TERMINAL
 AWG SIZE: 12-8 AWG
 WIRE SECTION: 16 mm²
 THREADED BOLT SIZE FOR GROUND: M8

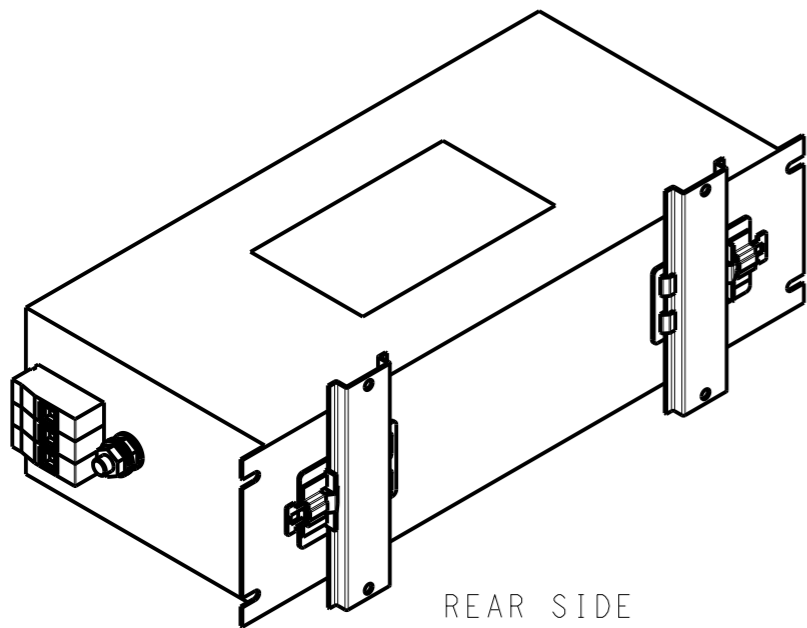
NOTE 3 SUPPLIED WITH DIN RAIL BRACKET.

NOTE 4 DRAWING SHOWS DIN RAIL FOR REFERENCE ONLY.

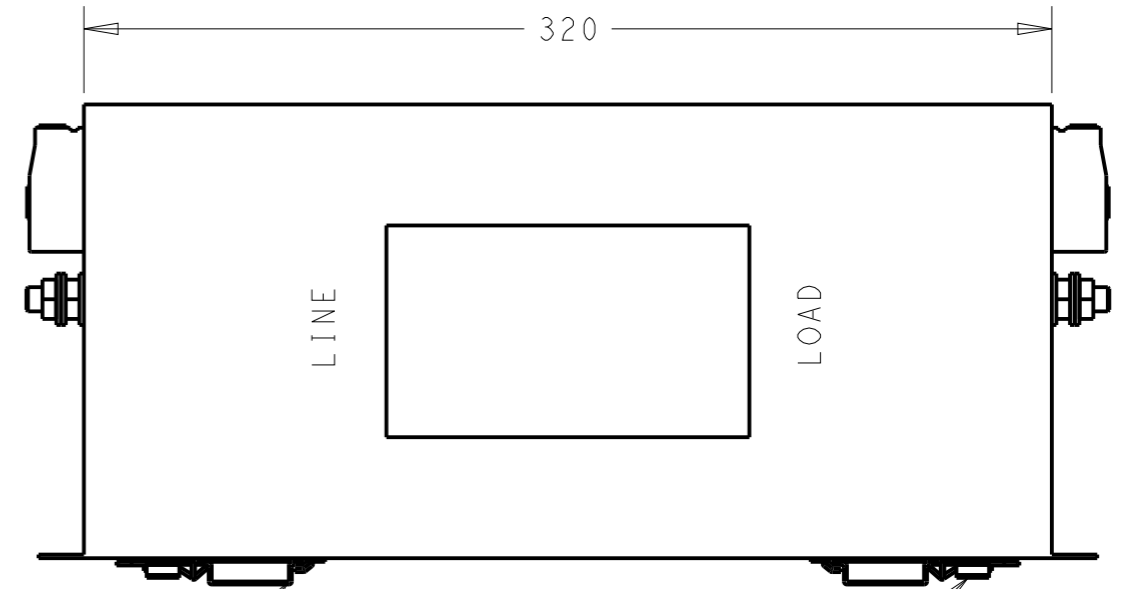
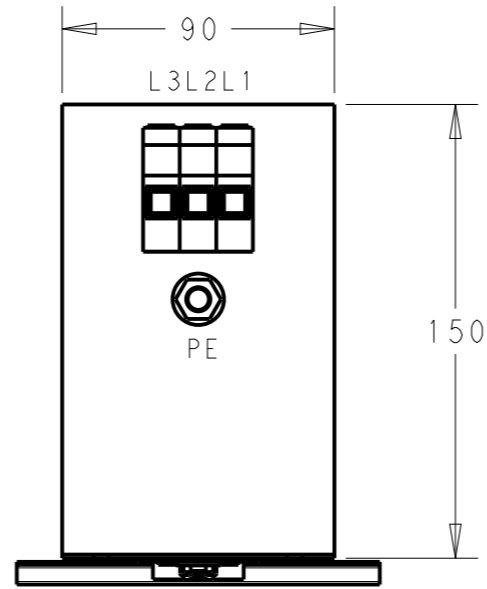
REVISIONS					
P	LTR	DESCRIPTION	DATE	DWN	APVD
		SEE SHEET 1			



FRONT SIDE



REAR SIDE



DIN RAIL CHANNEL

DIN 35 BRACKET



THIS DRAWING IS A CONTROLLED DOCUMENT.		DWN SUPREETH R 26APR2021		
		CHK CHRIS BOLLE 26APR2021		
		APVD CHRIS BOLLE 26APR2021	NAME POWER LINE FILTER FOR DIN RAIL 35 INSTALLATION 75KEHD10ABSDHM	
DIMENSIONS: mm		PRODUCT SPEC -	SIZE A300779 CAGE CODE C-3-1609969-8	
TOLERANCES UNLESS OTHERWISE SPECIFIED:		APPLICATION SPEC -	DRAWING NO C-3-1609969-8	
0 PLC ±-		WEIGHT -	RESTRICTED TO -	
1 PLC ±0.5				
2 PLC ±0.40				
3 PLC ±0.130				
4 PLC ±0.0500				
ANGLES ±-				
MATERIAL -	FINISH -	SCALE 2:5 SHEET 2 OF 2 REV A		
CUSTOMER DRAWING				