



© 2016 AFci

Amphenol
FCi

© 2016 AFci

© 2016 AFci

1

2

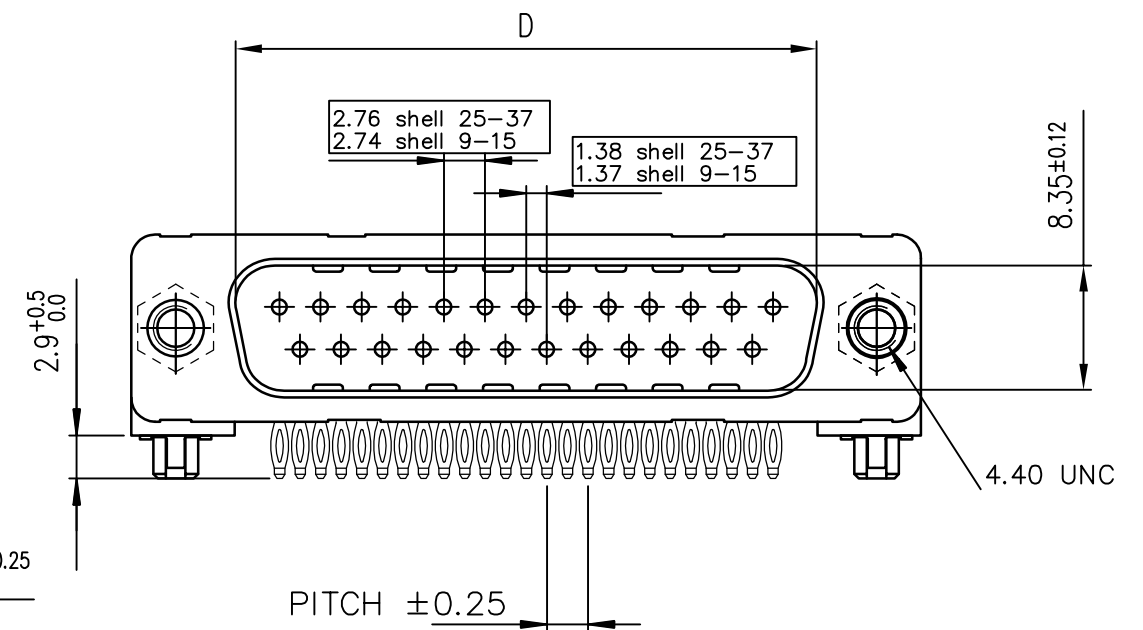
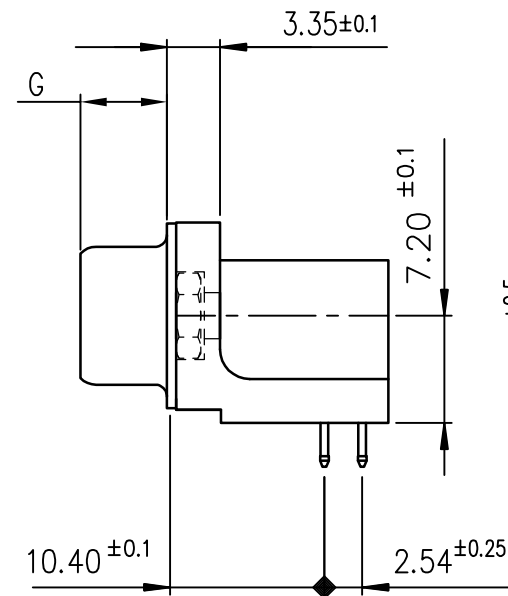
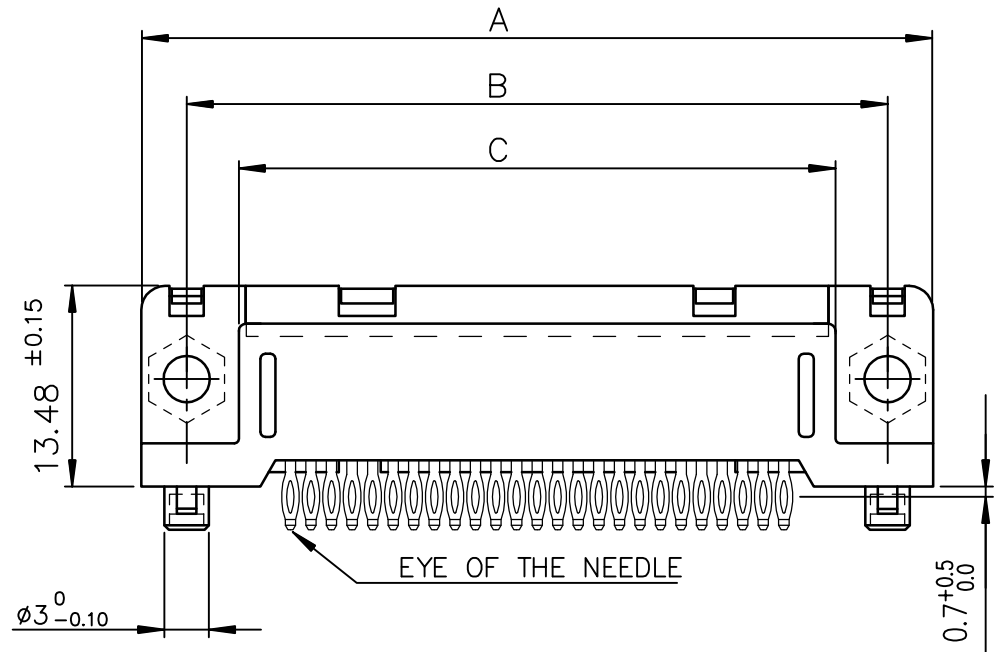
3

4

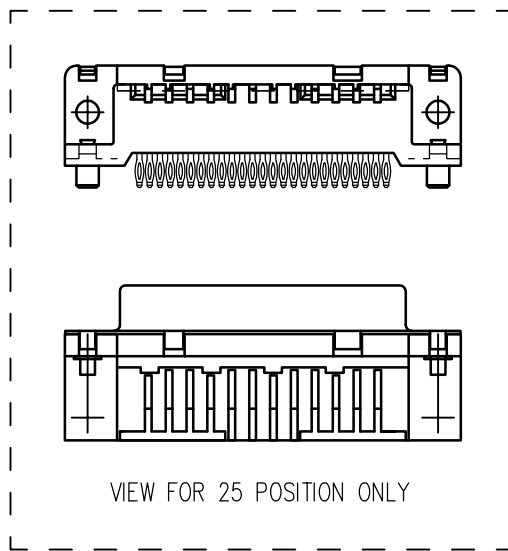
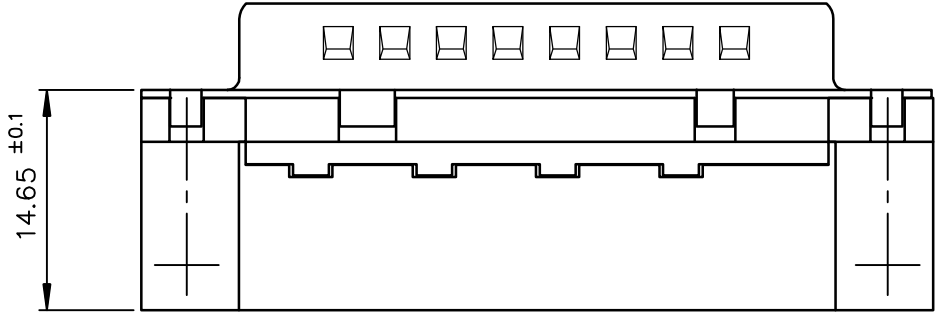
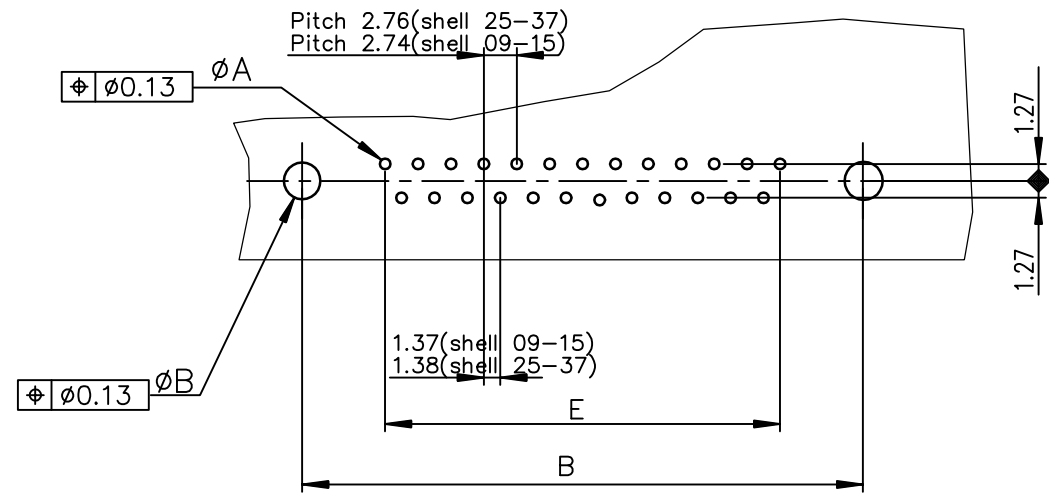
5

6

view shown without plastic pin and grounding



PC card drilling dimensions(after plating)
(thickness 1.60 ± 0.20)



GENERAL CHARACTERISTICS AND ROHS INFORMATIONS:
SEE DRAWING C01-8646-0001

mat'l. code		surface		tolerance		projection		product family	
-		ISO 1302 ✓		ISO 406 ISO 101				D-SUB	
ltr	ecn no	dr	date	tolerances unless otherwise specified		MM		title	
J	ELX-I-18050	MP	2014/06/23	angles	linear	.0±0.1		MALE CONNECTOR DELTA-D EUROPE	
K	ELX-I-35350	GM	2019/11/08	0°±2°		.00±0.1		RIGHT ANGLED PRESS FIT	
						.000±0.1		scale 2:1	
sheet index		revision sheet		K 1		dr		PESSON 1996/11/06	
						enr		GREGAR M 2014/06/23	
						chr		SREERAJ K R 2019/11/08	
						appd		SANJO P K 2019/11/08	
								dwg no	
								sheet 1 of 1	
								size	
								A3	
								type	
								Product Customer Drawing	

SHELL	A±0.38	B±0.12	C±0.10	D ±0.25	E±0.07	G	LEAD FREE PART NUMBER	LEAD FREE PART NUMBER
09	30.81	24.99	18.00	16.79	10.96	5.90+0.15	D09P81C4GX00LF	D09P81C6GX00LF
15	39.14	33.32	26.32	25.12	19.18	5.90+0.15	D15P81C4GX00LF	D15P81C6GX00LF
25	53.03	47.04	40.04	38.84	33.12	5.70+0.25	D25P81C4GX00LF	D25P81C6GX00LF
37	69.32	63.50	56.50	55.30	49.68	5.70+0.25	D37P81C4GX00LF	D37P81C6GX00LF
							Gold flash	0.76 μ gold/GxT