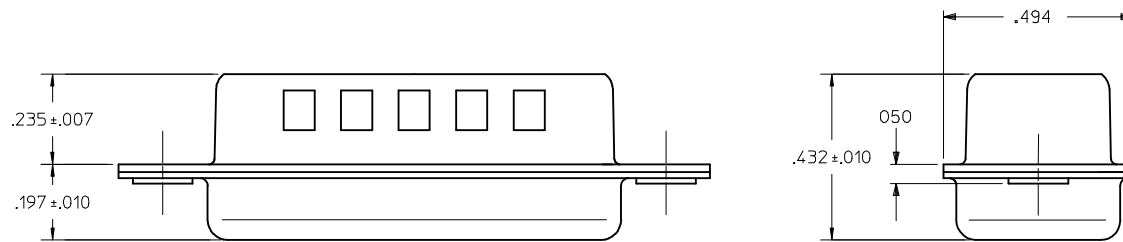
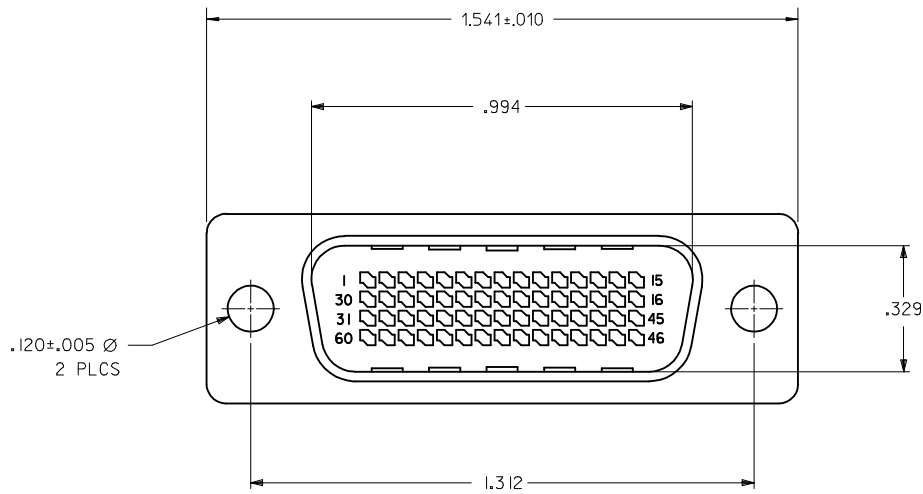


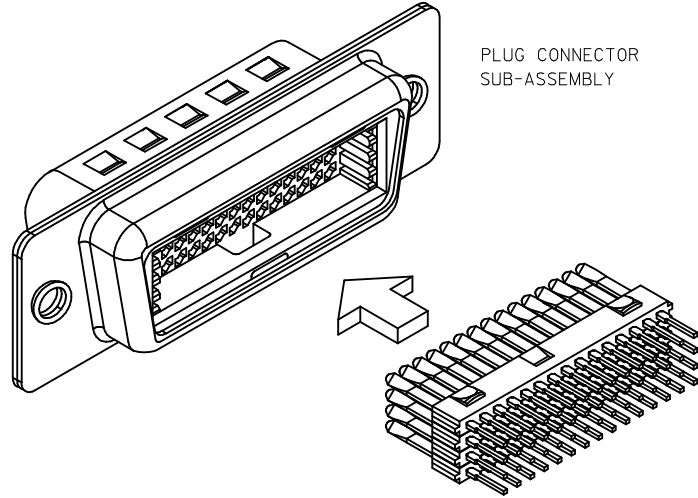
NOTES:

- 1) PLASTIC HOUSING:
GLASS FILLED LCP (LIQUID CRYSTAL POLYMER), UL 94 V-0, COLOR: BLACK.
- 2) FRONT SHELL:
DEEP DRAWN STEEL, .020" THICK;
PLATING: SEE TABLE
BRIGHT TIN: 150-250 MICROINCHES BRIGHT TIN OVER
50-150 MICROINCHES NICKEL OVER COPPER FLASH
OVERALL (OPTIONAL).
BRIGHT NICKEL: 100-175 MICROINCHES BRIGHT NICKEL OVER
50 MICROINCHES MAXIMUM COPPER OVERALL.
- 3) BACK SHELL:
DEEP DRAWN STEEL, .016" THICK;
PLATING: 150-250 MICROINCHES BRIGHT TIN OVER 50-150 MICROINCHES NICKEL
OVER COPPER FLASH OVERALL (OPTIONAL).
- 4) THIS CONNECTOR CONFORMS TO PRODUCT SPECIFICATION PS-70928.
- 5) PACKAGING SPECIFICATION PK-70873-0236 APPLIES.
- 6) SEE APPLICATION SPECIFICATION PS-70929 FOR ASSEMBLY AND TERMINATION DETAILS.
- 7) INSERT-MOLDED TERMINAL STRIP ASSEMBLIES ARE SUPPLIED SEPARATELY (SEE SHEET 2 FOR ORDERING INFORMATION).



PART NO.	PRODUCT DESCRIPTION	FRONT SHELL PLATING
70929-2000	60 CKT. I/O PLUG CONNECTOR SUB-ASSEMBLY	BRIGHT TIN
70929-2009	60 CKT. I/O PLUG CONNECTOR SUB-ASSEMBLY	BRIGHT NICKEL

ADD TOLERANCES EC NO: UCP2014-2167 DRWR:WHIPPLE 2013/11/18 CHKD:DMORGAN 2013/11/18 APPR:SMILLER 2013/12/16	QUALITY SYMBOLS ∇=0 ∇=0 ∇=0	GENERAL TOLERANCES (UNLESS SPECIFIED)		DIMENSION STYLE INCH ONLY	SCALE 4:1	DESIGN UNITS INCH	THIRD ANGLE PROJECTION	
		4 PLACES ± --- ± ---	mm INCH	DRAWN BY MOS	DATE 1993/05/11	SALES ASSEMBLY LFH 60CKT I/O PLUG FOR CABLE ASSEMBLIES molex DOCUMENT NO. SDA-70929-20** SHEET NO. 1 OF 2		
		3 PLACES ± --- ± .005		CHECKED BY O'SULLIVAN	DATE 1993/05/11			
		2 PLACES ± --- ± .01		APPROVED BY	DATE			
1 PLACE ± --- ± ---		SMILLER	2011/07/12					
		0 PLACE ± ±		MATERIAL NO.				
		ANGULAR ±1/2°		SEE CHART				
		DRAFT WHERE APPLICABLE MUST REMAIN WITHIN DIMENSIONS		SIZE C	THIS DRAWING CONTAINS INFORMATION THAT IS PROPRIETARY TO MOLEX INCORPORATED AND SHOULD NOT BE USED WITHOUT WRITTEN PERMISSION			



PLUG CONNECTOR
SUB-ASSEMBLY

INSERT MOLDED TERMINAL STICKS
SUPPLIED SEPARATELY
SEE SALES DRAWING: SDA-70984-100*
NOTE: STICKS SHOWN WITH CARRIER REMOVED

SEE SHEET 1 EC NO: UCP2014-2167 DRWN:RWHIPPLE 2013/11/18 CHKD:DMORGAN 2013/11/18 APPR:SMILLER 2013/12/16	QUALITY SYMBOLS	GENERAL TOLERANCES (UNLESS SPECIFIED)	DIMENSION STYLE	SCALE	DESIGN UNITS	THIRD ANGLE PROJECTION																		
	DESCRIPTION ▽=0 ▽=0 ▽=0	<table border="1"> <tr> <th></th> <th>mm</th> <th>INCH</th> </tr> <tr> <td>4 PLACES</td> <td>± .005</td> <td>± .0005</td> </tr> <tr> <td>3 PLACES</td> <td>± .005</td> <td>± .0005</td> </tr> <tr> <td>2 PLACES</td> <td>± .01</td> <td>± .001</td> </tr> <tr> <td>1 PLACE</td> <td>± .01</td> <td>± .001</td> </tr> <tr> <td>0 PLACE</td> <td>±</td> <td>±</td> </tr> </table>		mm	INCH	4 PLACES	± .005	± .0005	3 PLACES	± .005	± .0005	2 PLACES	± .01	± .001	1 PLACE	± .01	± .001	0 PLACE	±	±	INCH ONLY	4:1	INCH	TITLE SALES ASSEMBLY LFH 60CKT I/O PLUG FOR CABLE ASSEMBLIES molex
			mm	INCH																				
		4 PLACES	± .005	± .0005																				
3 PLACES	± .005	± .0005																						
2 PLACES	± .01	± .001																						
1 PLACE	± .01	± .001																						
0 PLACE	±	±																						
DRAWN BY DATE MOS 1993/05/11 CHECKED BY DATE O'SULLIVAN 1993/05/11 APPROVED BY DATE SMILLER 2011/07/12	ANGULAR ±1/2° DRAFT WHERE APPLICABLE MUST REMAIN WITHIN DIMENSIONS		MATERIAL NO. SEE SHHET 1	DOCUMENT NO. SDA-70929-20**	SHEET NO. 2 OF 2																			
THIS DRAWING CONTAINS INFORMATION THAT IS PROPRIETARY TO MOLEX. INCORPORATED AND SHOULD NOT BE USED WITHOUT WRITTEN PERMISSION																								