

THIS DRAWING IS UNPUBLISHED.

RELEASED FOR PUBLICATION

-. - .

© COPYRIGHT - By -

ALL RIGHTS RESERVED.

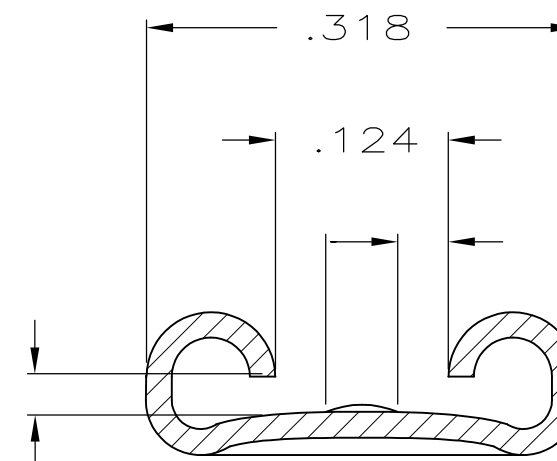
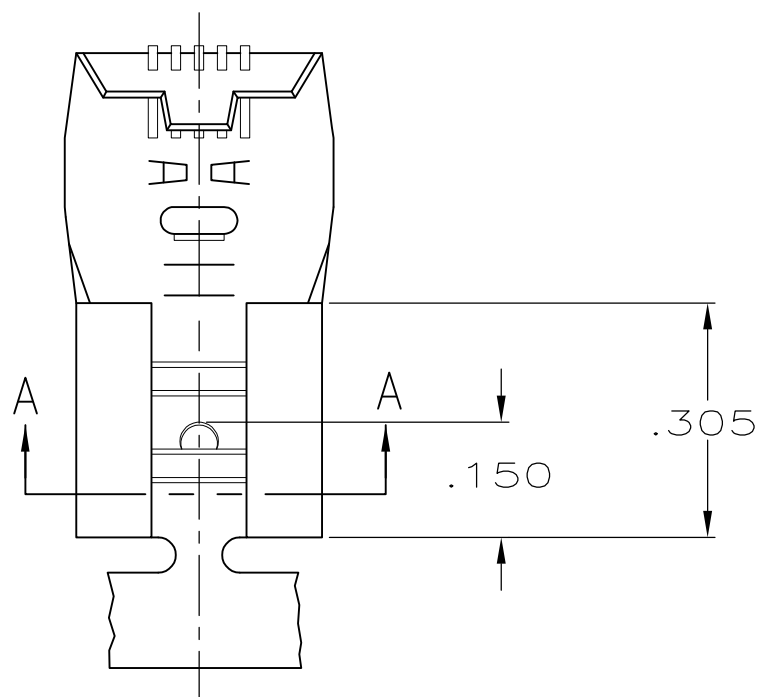
LOC  
AF

DIST  
50

REVISIONS

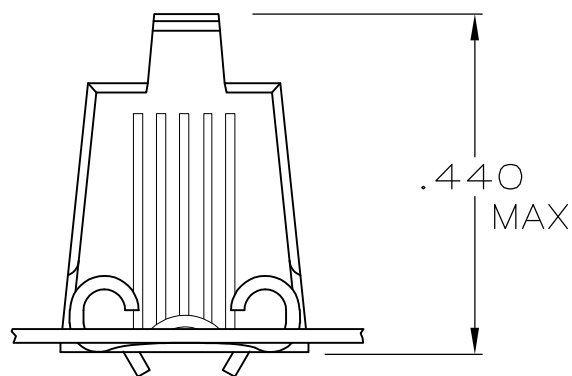
P	LTR	DESCRIPTION	DATE	DWN	APVD
	J	REVISED PER ECR-12-013459	28NOV2012	KH	PD

1 CONTINUOUS STRIP ON REELS.



.055  
.050  
DIA DIMPLE

FITS .250 SERIES  
FASTON TAB  
SECTION A-A



12-10	.032 ±.001	TIN	BRASS	62022-2
12-10	.032 ±.001	SILVER	.018 PHOS. BRONZE	62022-1
WIRE SIZE	TAB THK	FINISH	MATERIAL	PART NO

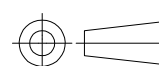
THIS DRAWING IS A CONTROLLED DOCUMENT.

DWN  
JR RUTH 2/3/86  
CHK  
M FEHER 2/6/86  
APVD  
C MEYERS 2/7/86

**STE** TE Connectivity

DIMENSIONS:  
INCHES

TOLERANCES UNLESS  
OTHERWISE SPECIFIED:



0 PLC ± -  
1 PLC ± -  
2 PLC ± -  
3 PLC ± .015  
4 PLC ± -  
ANGLES ± -

PRODUCT SPEC

APPLICATION SPEC

WEIGHT

MATERIAL

SEE TABLE

FINISH

SEE TABLE

CUSTOMER DRAWING

NAME  
.250 SERIES FLAG  
FASTON RECEPTACLE

SIZE  
A3  
CAGE CODE  
00779  
DRAWING NO  
C-62022

RESTRICTED TO

—

SCALE NTS

SHEET 1 OF 1

REV J