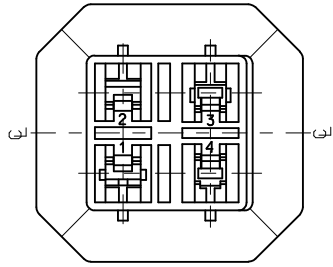
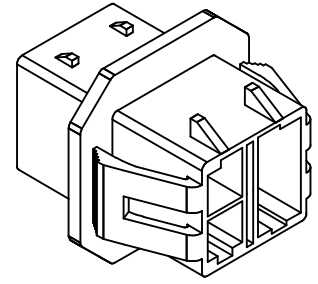
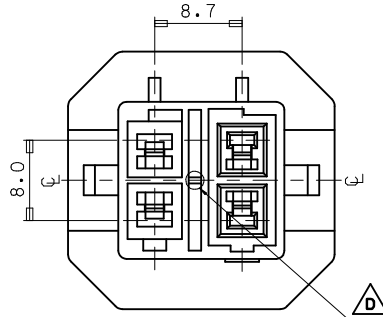


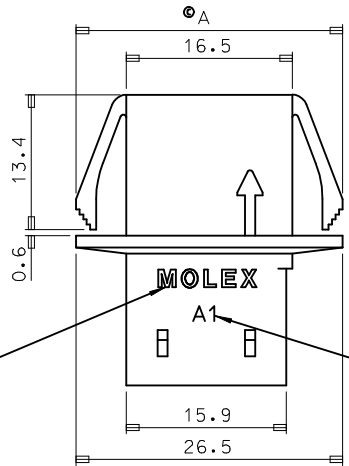
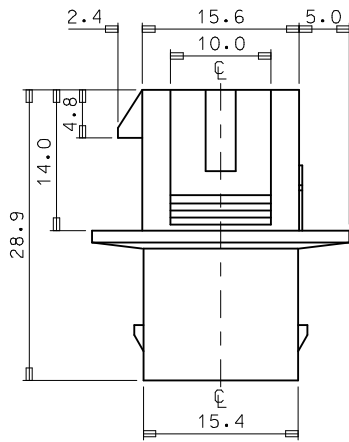
10 9 8 7 6 5 4 3 2 1



VIEW "A"



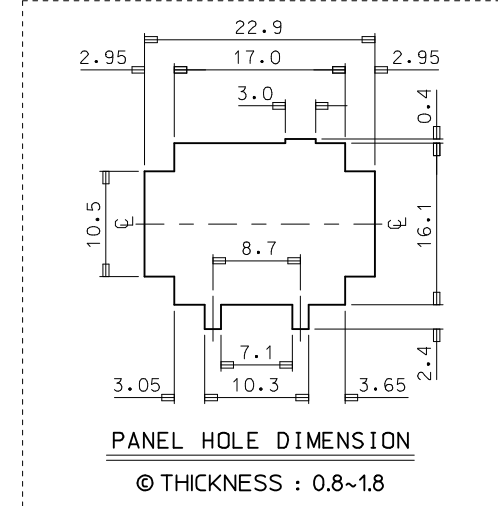
- NOTES.
1. MATERIAL & COLOR : SEE TABLE
 2. MATED HOUSING : 35181-020*, 35965-020*/920*
35181-021*, 35965-021*/921*
 3. APPLICABLE TERMINAL : 35745-0*10 (1 CIRCUIT)
35746-0*10 (3 CIRCUIT)
35747-0*10 (2 CIRCUIT)
35748-0*10 (4 CIRCUIT)
 - ④ 4. APPLICABLE T.P.A : 35182-029*
 5. PRODUCT SPECIFICATION : PS-35180-002



TRADE MARK

© TOOL & CAVITY NO
(TOOL:A,B..CAV:1,2..)

VIEW "A"



PANEL HOLE DIMENSION

© THICKNESS : 0.8~1.8

NO	PRODUCT		MATERIAL		DIMENSION ①(A)
	PART NO	MATERIAL NO	COLOR	DESCRIPTION	
1	35180-0400	351800400	NATURAL	PBT (UL94V-0)	26.2
2	35180-0404	351800404	BLUE		
3	35180-0409	351800409	NATURAL	PC/PET (UL94V-0)	26.5
4	35180-3409	351803409	YELLOW		
5	35180-4409	351804409	BLUE		

REVISED
EC NO: KOR2014-0009
DRWN: JSSHIN 2013/08/12
CHKD: SHCHU
APPR: YSK1M02 2013/09/03

QUALITY SYMBOLS
▽=0
∇=0

GENERAL TOLERANCES (UNLESS SPECIFIED)

	mm	INCH
4 PLACES	± ---	± ---
3 PLACES	± ---	± ---
2 PLACES	± ---	± ---
1 PLACE	± 0.3	± ---

ANGULAR ± 1 °

DRAFT WHERE APPLICABLE
MUST REMAIN
WITHIN DIMENSIONS

DIMENSION STYLE
MM ONLY

DRAWN BY	DATE
JS.KANG	1995/09/28
CHECKED BY	DATE
CW.LEE	1995/09/28
APPROVED BY	DATE
CW.LEE	1995/09/28

MATERIAL NO.
SEE TABLE

SCALE
2:1

DESIGN UNITS
METRIC

THIRD ANGLE PROJECTION

TITLE
.070 MULTI W/W CONN
MALE HSG-4P

MOLEX INCORPORATED
DOCUMENT NO. SD-35180-040*

SHEET NO.
1 OF 01

THIS DRAWING CONTAINS INFORMATION THAT IS PROPRIETARY TO MOLEX INCORPORATED AND SHOULD NOT BE USED WITHOUT WRITTEN PERMISSION

9 8 7 6 5 4 3 2 1