

**MADE
IN THE USA****Related Products (each sold separately):**

- GL030-0223 : BOWMAN® *Signature Series* - Glove Box Dispenser - Maple Fauxwood ABS Plastic - Triple with Dividers (shown below)

**Product Description:**

- Glove Box Dispenser - Triple with Dividers
- Holds three boxes of gloves
- Three-way keyholes for vertical or horizontal wall mounting
- BOWMAN® *Signature Series*- Cherry Fauxwood ABS Plastic

Primary Area for Product Usage:

- Anywhere gloves are needed

Dispenses:

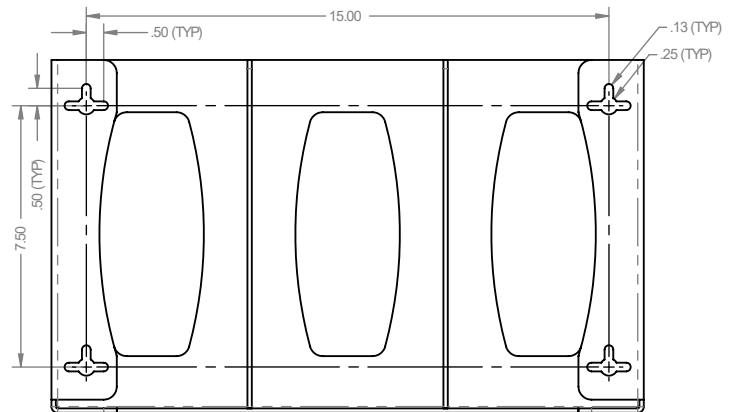
- Box(es) no larger than 5.50"W x 10.00"H x 3.75"D (14.0 cm x 25.4 cm x 9.5 cm)
- Box(es) no smaller than 4.50"W x 9.00"H x 3.00"D (11.4 cm x 22.9 cm x 7.6 cm)

Package Specifications:

- Package Quantity: 4 per case
- 18"L x 16"W x 10"H (45.7 cm x 40.6 cm x 25.4 cm)
- 8.0 lbs (3.6 kg) - approximated

Product Specifications (overall external dimensions):

- 17.00"W x 10.13"H x 4.00"D (43.2 cm x 25.7 cm x 10.2 cm)
- 1.4 lbs (0.6 kg) - approximated

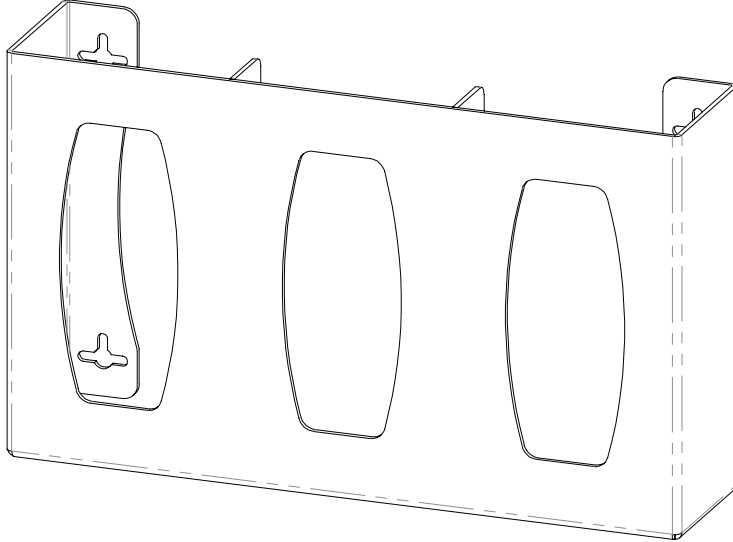
Mounting Specifications:



Installation

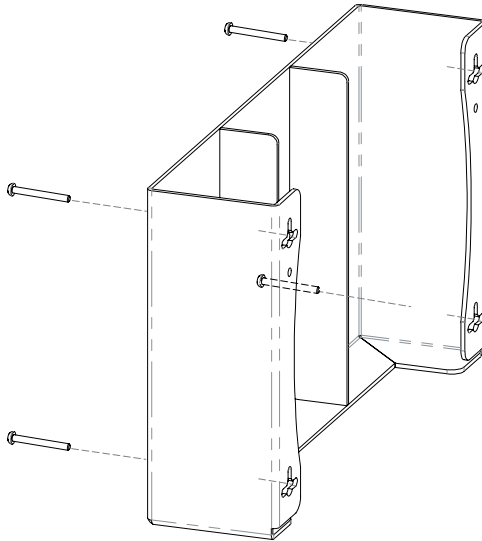
Always mount dispensers securely *prior* to loading with product.

- Divider holds boxes separately and enables easy reloading even when mounted vertically.



1

- Mount securely to a wall with screws approved and supplied by building maintenance.



2

Parts included:

- Dispenser

Tools Required:

- No tools required to assemble dispenser

Care and Construction

Fauxwood ABS Plastic

Material Characteristics

Designed for Long-Term, Heavy-Duty Applications

The combination of copolymers (Acrylonitrile, Butadiene, and Styrene) gives ABS an excellent combination of strength, rigidity, and toughness. The fauxwood finish is ARVINYL laminate created from a semi-rigid film.

ABS is chemical and stress-crack resistant. It is tough, dimensionally stable, and will hold up to long-term use. To ensure product longevity, fauxwood products should not be mounted in very hot or cold areas.

Care and Cleaning

Use mild soap and water to clean. Petroleum-based oils, solvents, and paints should not be used.

Standard hospital cleaning supplies are approved for use on our ABS plastic products.