

SSF26 SERIES

HIGH TEMPERATURE INTERNAL FITTING SWITCH



The SSF26 is a vertically mounted float switch designed to give reliable switching at temperatures up to 200°C.

Mounting is in the top or bottom of the tank from the inside, so requires access to the inside of the tank.

These are manufactured in 316 grade stainless steel and will work in liquids of SG 0.65 minimum.

The switch action may be reversed by removing the float, inverting and then refitting it to the stem.

Typical application is in deep frying oil tanks.

Features

- Temperature to 200°C
- Stainless steel 316L
- Internal mount via 3/8" BSP
- User configurable N/O (make on rise) or N/C (make on fall)

SPECIFICATIONS

Technical

Mounting Style	Internal
Mounting Thread	3/8" BSP
Float & Stem Material	316 grade SS
Maximum Temperature	200°C
Maximum Pressure	10 bar
Float SG	0.55
Minimum Fluid SG	0.65
Cable Length - Standard*	100cm
Cable Size	17/0.10 - AWG22
Cable Conductor Material	Tinned copper
Cable Sheath Material	XLPE
Cable Temperature Rating	200°C
Sealing Gasket	Not supplied
Tightening Torque for Fixing Nut	2.0kg/cm

Electrical

Contact Form		N/O (N/C)
Switching Power Max	VA	50
Switching Voltage AC Max	V	300
Switching Voltage DC Max	V	300
Switching Current Max	A	0.5

All ratings are for resistive load only.

STANDARD PARTS

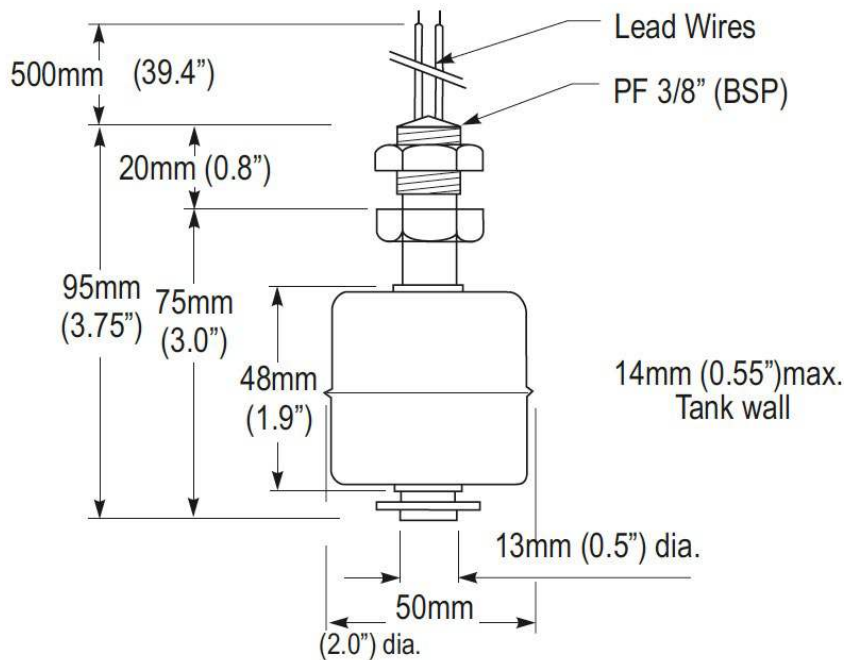
	Material	Max Power	Leadouts
SSF26X035*	SS 316	50VA	35cm XLPE 17/0.1 wires
SSF26X100*	SS 316	50VA	100cm XLPE 17/0.1 wires

*Standard version is changing from SSF26X035 to SSF26X100, as the longer wire version becomes available.

Custom versions can be made for particular applications. Please contact Sensata with your requirements.

DIMENSIONS

All dimensions are in millimeters.



Made in the UK

Page 2

Sensata Technologies, Inc. ("Sensata") data sheets are solely intended to assist designers ("Buyers") who are developing systems that incorporate Sensata products (also referred to herein as "components"). Buyer understands and agrees that Buyer remains responsible for using its independent analysis, evaluation and judgment in designing Buyer's systems and products. Sensata data sheets have been created using standard laboratory conditions and engineering practices. Sensata has not conducted any testing other than that specifically described in the published documentation for a particular data sheet. Sensata may make corrections, enhancements, improvements and other changes to its data sheets or components without notice.

Buyers are authorized to use Sensata data sheets with the Sensata component(s) identified in each particular data sheet. HOWEVER, NO OTHER LICENSE, EXPRESS OR IMPLIED, BY ESTOPPEL OR OTHERWISE TO ANY OTHER SENSATA INTELLECTUAL PROPERTY RIGHT, AND NO LICENSE TO ANY THIRD PARTY TECHNOLOGY OR INTELLECTUAL PROPERTY RIGHT, IS GRANTED HEREIN. SENSATA DATA SHEETS ARE PROVIDED "AS IS". SENSATA MAKES NO WARRANTIES OR REPRESENTATIONS WITH REGARD TO THE DATA SHEETS OR USE OF THE DATA SHEETS, EXPRESS, IMPLIED OR STATUTORY, INCLUDING ACCURACY OR COMPLETENESS. SENSATA DISCLAIMS ANY WARRANTY OF TITLE AND ANY IMPLIED WARRANTIES OF MERCHANTABILITY, FITNESS FOR A PARTICULAR PURPOSE, QUIET ENJOYMENT, QUIET POSSESSION, AND NON-INFRINGEMENT OF ANY THIRD PARTY INTELLECTUAL PROPERTY RIGHTS WITH REGARD TO SENSATA DATA SHEETS OR USE THEREOF.

All products are sold subject to Sensata's terms and conditions of sale supplied at www.sensata.com SENSATA ASSUMES NO LIABILITY FOR APPLICATIONS ASSISTANCE OR THE DESIGN OF BUYERS' PRODUCTS. BUYER ACKNOWLEDGES AND AGREES THAT IT IS SOLELY RESPONSIBLE FOR COMPLIANCE WITH ALL LEGAL, REGULATORY AND SAFETY-RELATED REQUIREMENTS CONCERNING ITS PRODUCTS, AND ANY USE OF SENSATA COMPONENTS IN ITS APPLICATIONS, NOTWITHSTANDING ANY APPLICATIONS-RELATED INFORMATION OR SUPPORT THAT MAY BE PROVIDED BY SENSATA.

Mailing Address: Sensata Technologies, Inc., 529 Pleasant Street, Attleboro, MA 02703, USA.

CONTACT US

+44 (0)1202 897969
 c3w_sales@sensata.com
 Cynergy3 Components Ltd.
 7 Cobham Road,
 Ferndown Industrial Estate,
 Wimborne, Dorset,
 BH21 7PE, United Kingdom