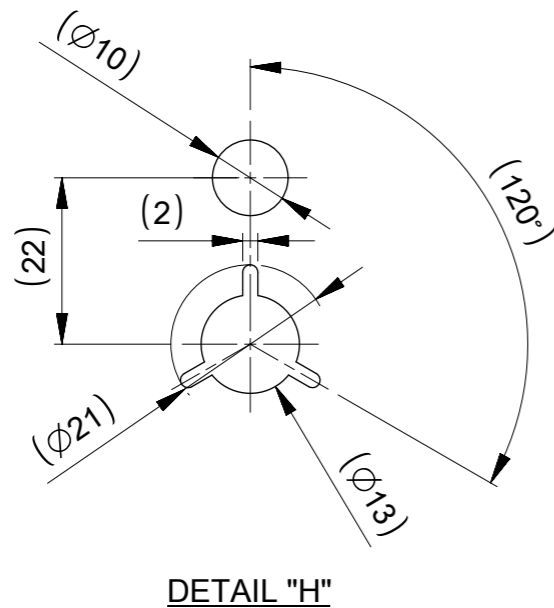
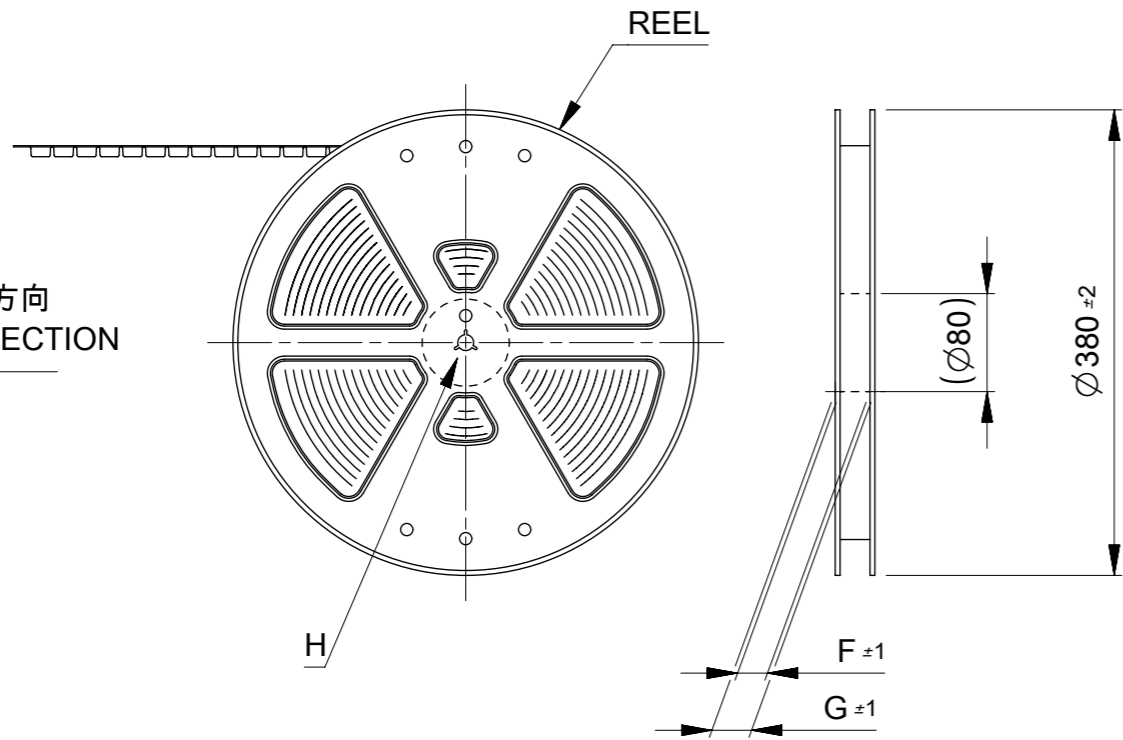


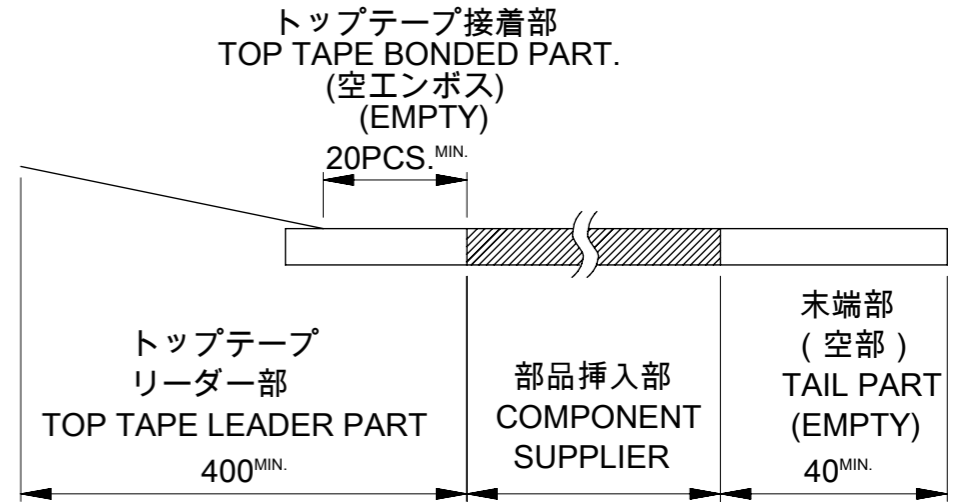
引き出し方向  
PULL OUT DIRECTION



NOTES

- 製品詳細寸法については図面SD-54363-050を参照下さい。  
DETAIL DIMENSION, SEE SD-54363-050.
- 梱包数量 : 2500個 / リール  
NUMBER OF CONNECTORS : 2500PCS/REEL
- リードテープ長さ  
LEAD TAPE LENGTH

引き出し方向  
PULL OUT DIRECTION



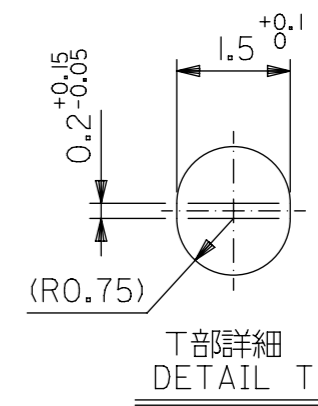
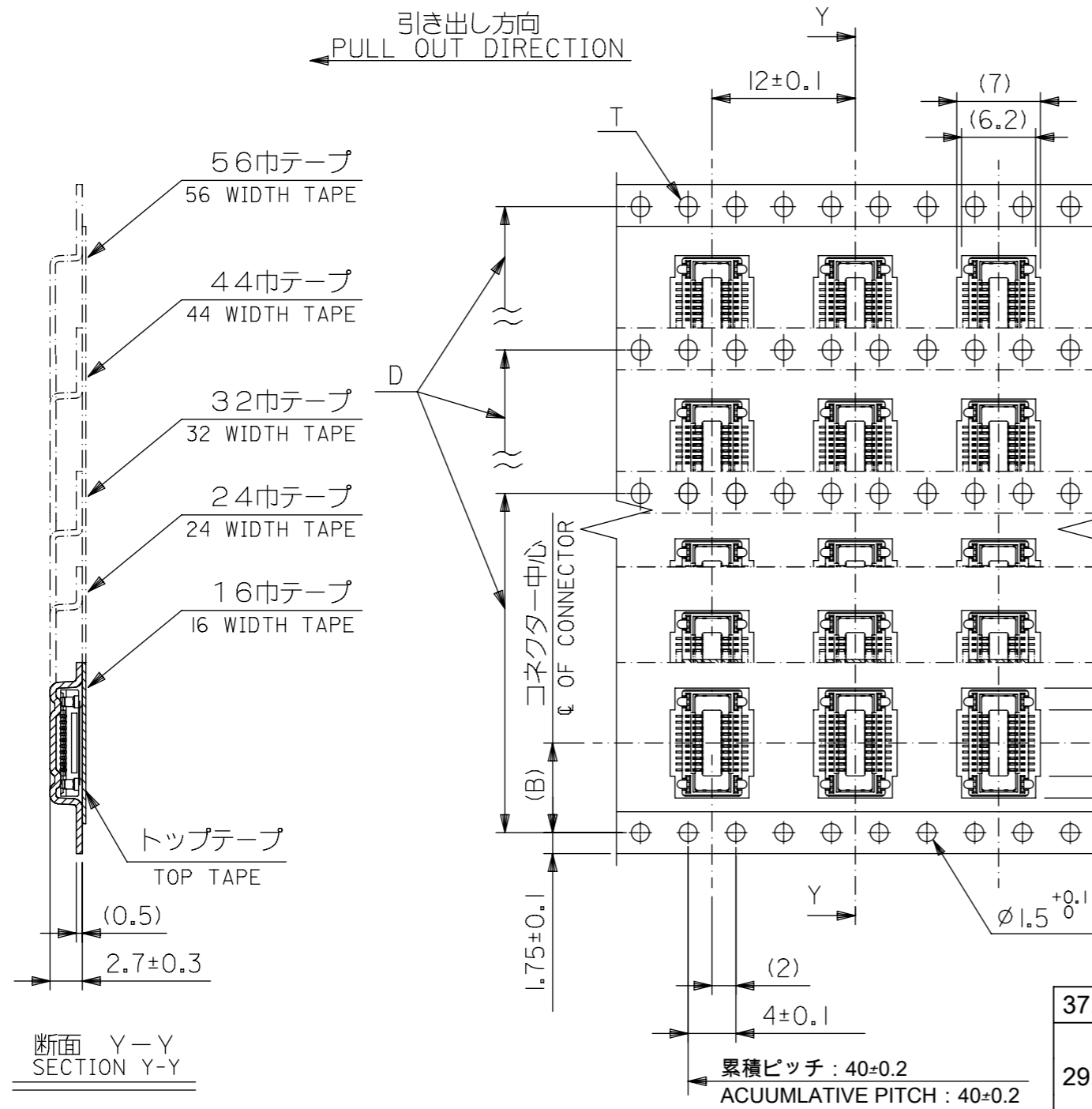
4. 材料

MATERIAL  
 キャリアテープ : ポリプロピレン (PP)  
 CARRIER TAPE : POLYPROPYLENE (PP)  
 トップテープ : PET , PE , PEF  
 TOP TAPE : PET , PE , PEF  
 リール : ポリスチレン  
 REEL : POLYSTYREN

- カバーテープの剥離強度については、IEC60286-3に準拠  
COVER TAPE PEEL FORCE IS DEFINED BY IEC60286-3.

THIS DRAWING CONTAINS INFORMATION THAT IS PROPRIETARY TO MOLEX ELECTRONIC TECHNOLOGIES, LLC AND SHOULD NOT BE USED WITHOUT WRITTEN PERMISSION

DIMENSION UNITS	SCALE	CURRENT REV DESC: REVISED		<b>molex</b>		
MM	---					
GENERAL TOLERANCES (UNLESS SPECIFIED)		EC NO: 642297		0.5 MM PITCH B-TO-B CONN. HEIGHT = 2 RECEPTACLE EMBOSS TAPE PACKAGE		
ANGULAR TOL ± 30°		DRWN: SUDAYGUNAGI		2020/09/16		
4 PLACES ± 0.2		CHK'D: HSHIMOYAMA		2020/11/30		
3 PLACES ± 0.25		APPR: SHOSHIKAWA		2020/11/30		
2 PLACES ± 0.3		INITIAL REVISION:		PRODUCT CUSTOMER DRAWING		
1 PLACE ±		DRWN: Y. AOYAGI		2006/11/08		
0 PLACES ±		APPR: N. UKI TA		2006/11/08		
DRAFT WHERE APPLICABLE MUST REMAIN WITHIN DIMENSIONS		THIRD ANGLE PROJECTION		DRAWING	SERIES	MATERIAL NUMBER
				A3-SIZE	54363	SEE CHART
				CUSTOMER	GENERAL	
				DOCUMENT NUMBER	DOC TYPE	DOC PART
				SD-54363-049	PSD	001
				REVISION	B	
				SHEET NUMBER		
				1 OF 2		



37.4	33.4	32±0.3	28.4	19.2	14.2	15.55	54363-0689	60
29.4	25.4	24±0.3	-	16.7	11.5	13.05	54363-0589	50
				14.2		10.55	54363-0489	40
				11.7		8.05	54363-0389	30
21.4	17.4	16±0.3		9.2	7.5	5.55	54363-0289	20
G	F	E キャリアテープ幅 CARRIER TAPE WIDTH	D	(C)	(B)	(A)	ENBOSSED TAPE PACKAGE オーダー番号 ORDER No.	極数 CIRCUITS

THIS DRAWING CONTAINS INFORMATION THAT IS PROPRIETARY TO MOLEX ELECTRONIC TECHNOLOGIES, LLC AND SHOULD NOT BE USED WITHOUT WRITTEN PERMISSION

DIMENSION UNITS: MM SCALE: ---

CURRENT REV DESC: REVISED

**molex**

0.5 MM PITCH B-TO-B CONN.  
HEIGHT = 2 RECEPTACLE ENBOSS TAPE PACKAGE

PRODUCT CUSTOMER DRAWING

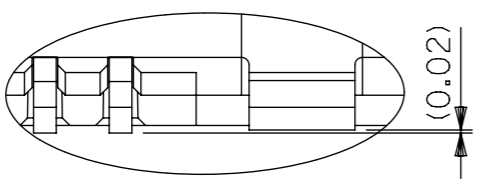
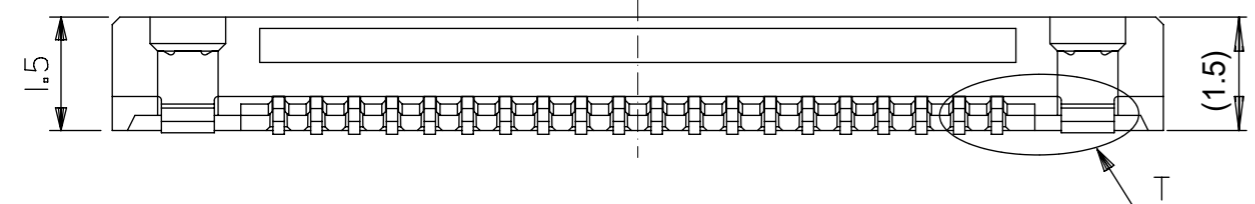
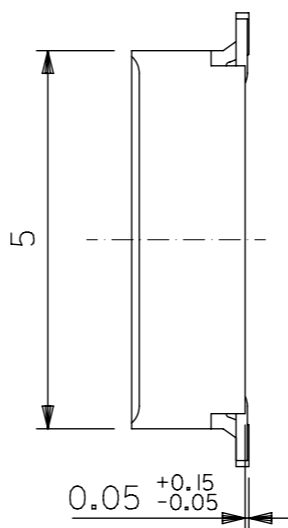
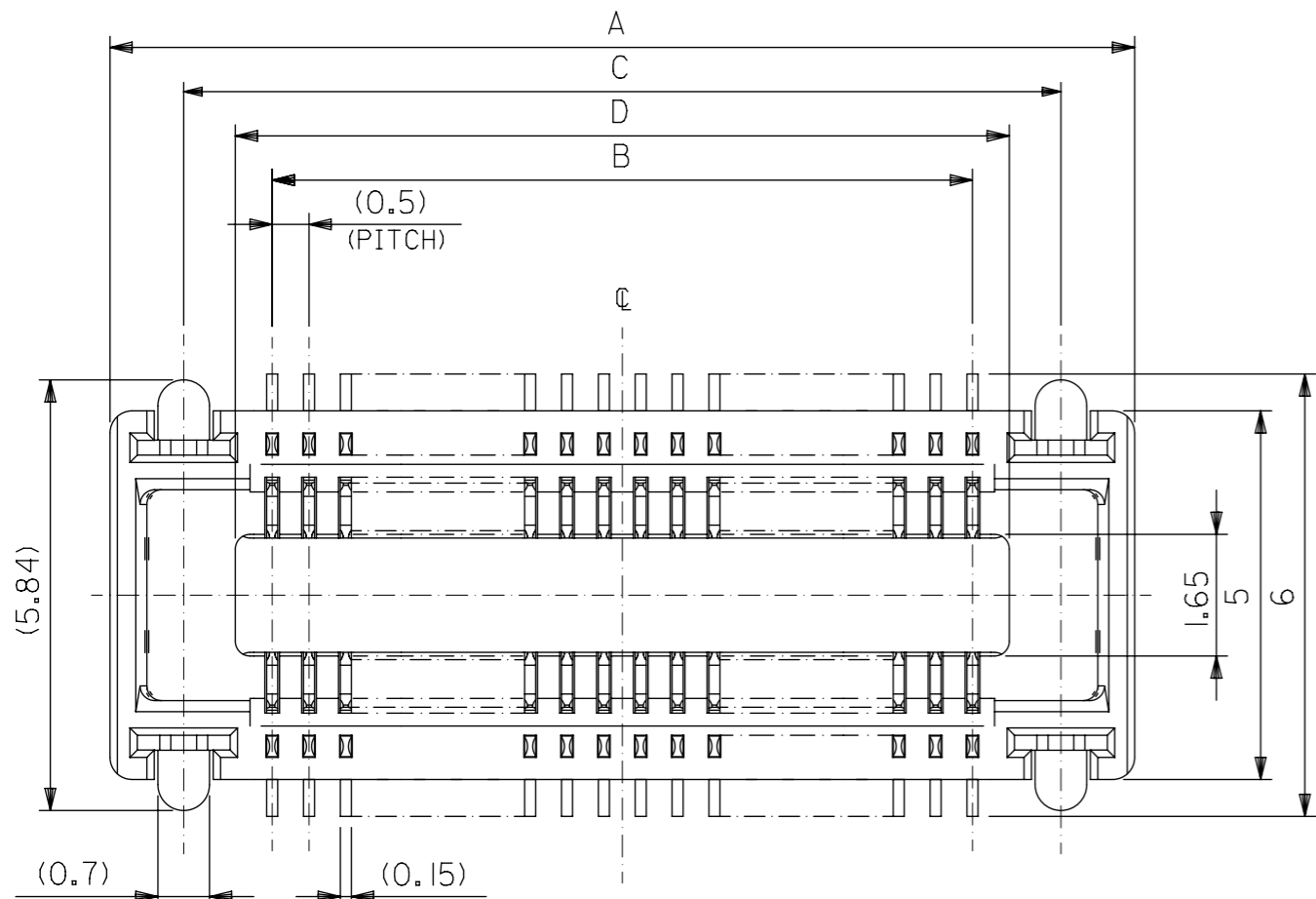
GENERAL TOLERANCES (UNLESS SPECIFIED)	
10 <sup>UNDER</sup>	±0.2
10 <sup>OVER</sup> 30 <sup>UNDER</sup>	±0.25
30 <sup>OVER</sup>	±0.3
ANGULAR ±3°	
DRAFT WHERE APPLICABLE MUST REMAIN WITHIN DIMENSIONS	

GENERAL TOLERANCES (UNLESS SPECIFIED)	
4 PLACES	± 0.2
3 PLACES	± 0.25
2 PLACES	± 0.3
1 PLACE	±
0 PLACES	±
DRAFT WHERE APPLICABLE MUST REMAIN WITHIN DIMENSIONS	

EC NO: 642297  
DRWN: SUDAYGUNAGI 2020/09/16  
CHK'D: HSHIMOYAMA 2020/11/30  
APPR: SHOSHIKAWA 2020/11/30

INITIAL REVISION:  
DRWN: Y. AOYAGI 2006/11/08  
APPR: N. UKI TA 2006/11/08

DOCUMENT NUMBER	DOC TYPE	DOC PART	REVISION
SD-54363-049	PSD	001	B



T部詳細  
DETAIL T

注記

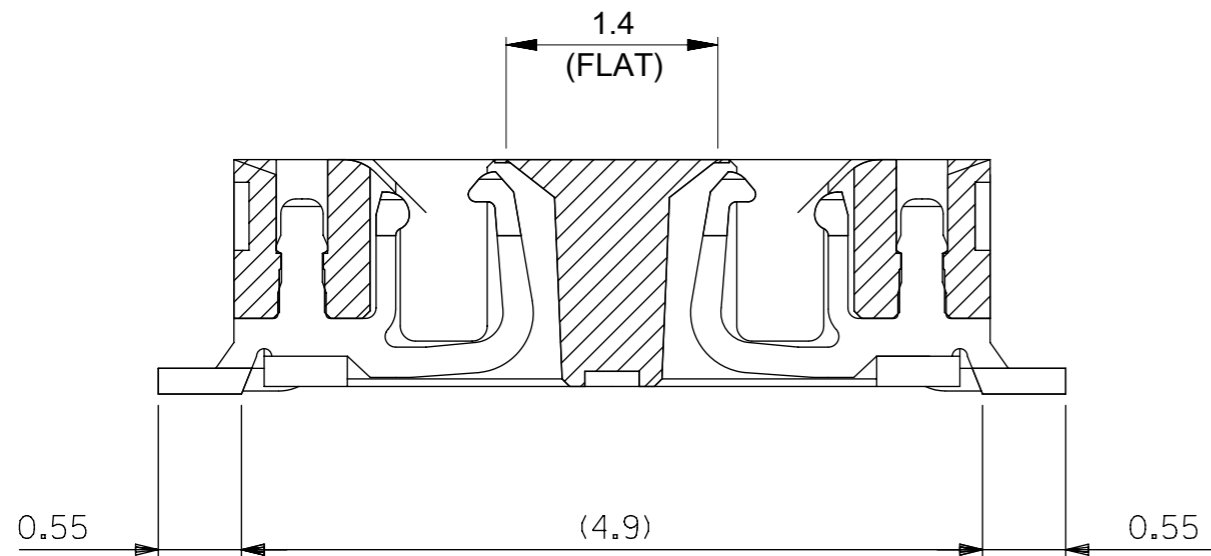
NOTES:

1. 使用材料  
MATERIAL  
ハウジング : 液晶ポリマー (LCP), ガラス充填, UL94V-0, 色 : 黒  
HOUSING : LIQUID CRYSTAL POLYMER(LCP), GLASS FILLED  
UL94V-0, COLOR: BLACK  
ターミナル : 銅合金 (t=0.15)  
TERMINAL: COPPER ALLOY (t=0.15)  
ネイル : 銅合金 (t=0.2)  
NAIL: COPPER ALLOY (t=0.2)
2. メッキ仕様  
PLATING  
ターミナル  
TERMINAL  
接点部 : 金メッキ 0.25 マイクロメートル以上  
CONTACT AREA: GOLD 0.25 MICROMETER MINIMUM  
半田付け部 : 金メッキ 0.4 マイクロメートル以下  
SOLDER TAIL AREA : GOLD 0.4 MICROMETER MAXIMUM  
下地メッキ : ニッケルメッキ 1.5 マイクロメートル以上  
UNDER PLATING : NICKEL 1.5 MICROMETER MINIMUM  
ネイル  
NAIL  
錫メッキ 3.0 マイクロメートル以上  
TIN 3.0 MICROMETER MINIMUM  
下地メッキ : ニッケルメッキ 1.0 マイクロメートル以上  
UNDER PLATING : NICKEL 1.0 MICROMETER MINIMUM
3. テール平坦度は、0.08 ミリメートル以下  
テールとネイルを併せた平坦度は、0.1 ミリメートル以下  
TAIL COPLANARITY TO BE 0.08 MAXIMUM.  
TAILS AND NAILS COPLANARITY TO BE 0.1 MAXIMUM.
4. 嵌合相手 : 55650 シリーズ (嵌合高さ = 2.0mm)  
MATE WITH: 55650 SERIES (HEIGHT = 2.0mm)
5. 本製品は、エンボス梱包品 54363-\*\*78のニッケルバリア品である。  
THIS PRODUCT IS 'NICKEL BARRIER' OF EMBOSSED TAPE PKG 54363-\*\*78.

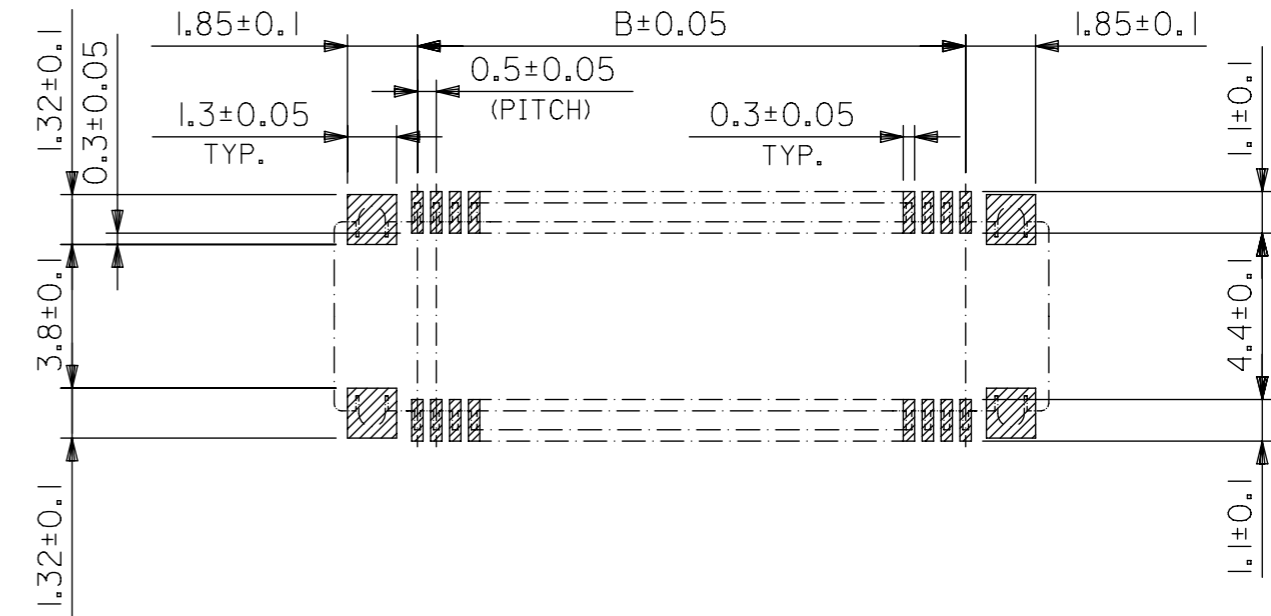
15.5	16.9	14.5	18.9	54363-0689	60
13.0	14.4	12.0	16.4	54363-0589	50
10.5	11.9	9.5	13.9	54363-0489	40
8.0	9.4	7.0	11.4	54363-0389	30
5.5	6.9	4.5	8.9	54363-0289	20
D	C	B	A	EMBOSSED PACKAGE	極数
				オーダー番号 ORDER No.	CIRCUIT

CONNECTOR SERIES No. 54363-\*\*81

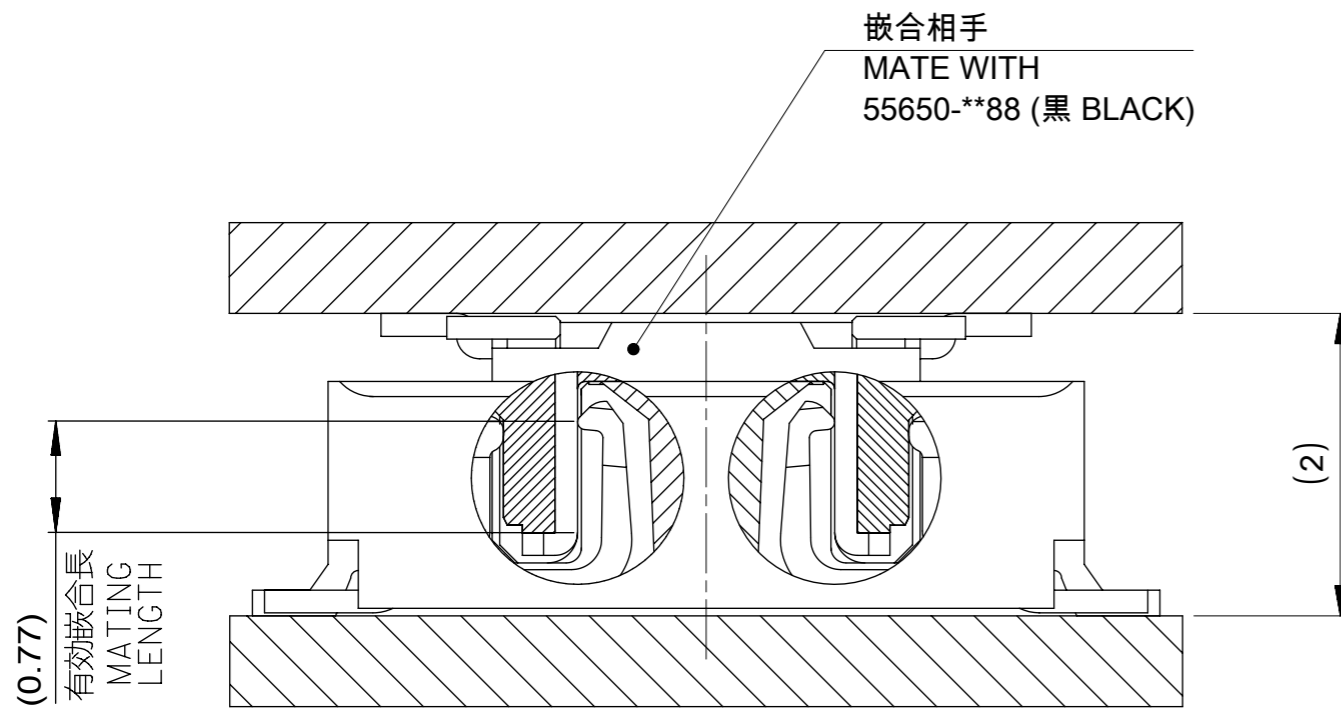
GENERAL TOLERANCES (UNLESS SPECIFIED)		DIMENSION UNITS	SCALE	CURRENT REV DESC: REVISED		<b>molex</b>	
0.25 <sup>UNDER</sup> ±0.03		MM	10:1	EC NO: 642297			
0.25 <sup>OVER</sup> 0.5 <sup>UNDER</sup> ±0.05		GENERAL TOLERANCES (UNLESS SPECIFIED)		DRWN: SUDAYGUNAGI 2020/09/17		PRODUCT CUSTOMER DRAWING	
0.5 <sup>OVER</sup> 1.0 <sup>UNDER</sup> ±0.1		ANGULAR TOL ± 30°		CHK'D: HSHIMOYAMA 2020/11/30		DOCUMENT NUMBER	
1.0 <sup>OVER</sup> 1.0 <sup>UNDER</sup> ±0.2		4 PLACES ± 0.2		APPR: SHOSHIKAWA 2020/11/30		SD-54363-050	
10 <sup>OVER</sup> 30 <sup>UNDER</sup> ±0.25		3 PLACES ± 0.25		INITIAL REVISION:		DOC TYPE DOC PART REVISION	
30 <sup>OVER</sup> ±0.3		2 PLACES ± 0.3		DRWN: Y. AOYAGI 2006/11/08		PSD 001 D	
ANGULAR ±3°		1 PLACE ±		APPR: N. UKI TA 2006/11/08		SHEET NUMBER	
DRAFT WHERE APPLICABLE MUST REMAIN WITHIN DIMENSIONS		DRAFT WHERE APPLICABLE MUST REMAIN WITHIN DIMENSIONS		THIRD ANGLE PROJECTION	DRAWING	SERIES	MATERIAL NUMBER
				⊕	A3-SIZE	54363	CUSTOMER
							SEE CHART
							GENERAL
							1 OF 2



半田付け部詳細図  
DETAIL FOR SOLDERING AREA



推奨基板寸法  
RECOMMENDED PCB PATTERN LAYOUT  
(SCALE 5:1)



嵌合断面図 (参考)  
MATED DRAWING (REF.)

GENERAL TOLERANCES (UNLESS SPECIFIED)		DIMENSION UNITS	SCALE	CURRENT REV DESC: REVISED		<b>molex</b>	
0.25 <sup>UNDER</sup>	±0.03	MM	10:1				
GENERAL TOLERANCES (UNLESS SPECIFIED)		ANGULAR TOL ± 30°		EC NO: 642297		0.5 MM PITCH B-TO-B CONN. HEIGHT = 2 RECEPTACLE	
0.25 <sup>OVER</sup> 1.0 <sup>UNDER</sup>	±0.05	4 PLACES ± 0.2		DRWN: SUDAYGUNAGI 2020/09/17		PRODUCT CUSTOMER DRAWING	
0.5 <sup>OVER</sup> 1.0 <sup>UNDER</sup>	±0.1	3 PLACES ± 0.25		CHK'D: HSHIMOYAMA 2020/11/30		DOCUMENT NUMBER	
1.0 <sup>OVER</sup> 1.0 <sup>UNDER</sup>	±0.2	2 PLACES ± 0.3		APPR: SHOSHIKAWA 2020/11/30		SD-54363-050	
10 <sup>OVER</sup> 30 <sup>UNDER</sup>	±0.25	1 PLACE ±		INITIAL REVISION:		DOC TYPE DOC PART REVISION	
30 <sup>OVER</sup>	±0.3	0 PLACES ±		DRWN: Y. AOYAGI 2006/11/08		PSD 001 D	
DRAFT WHERE APPLICABLE MUST REMAIN WITHIN DIMENSIONS		DRAFT WHERE APPLICABLE MUST REMAIN WITHIN DIMENSIONS		THIRD ANGLE PROJECTION	DRAWING	SERIES	MATERIAL NUMBER
					A3-SIZE	54363	SEE SHEET 1
						GENERAL	CUSTOMER
							SHEET NUMBER
							2 OF 2