

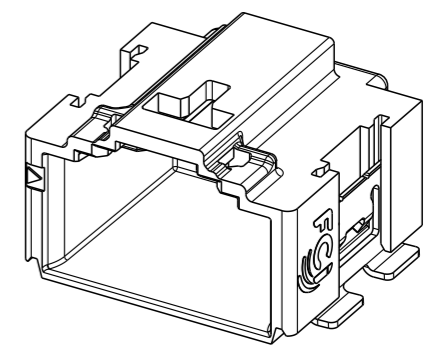
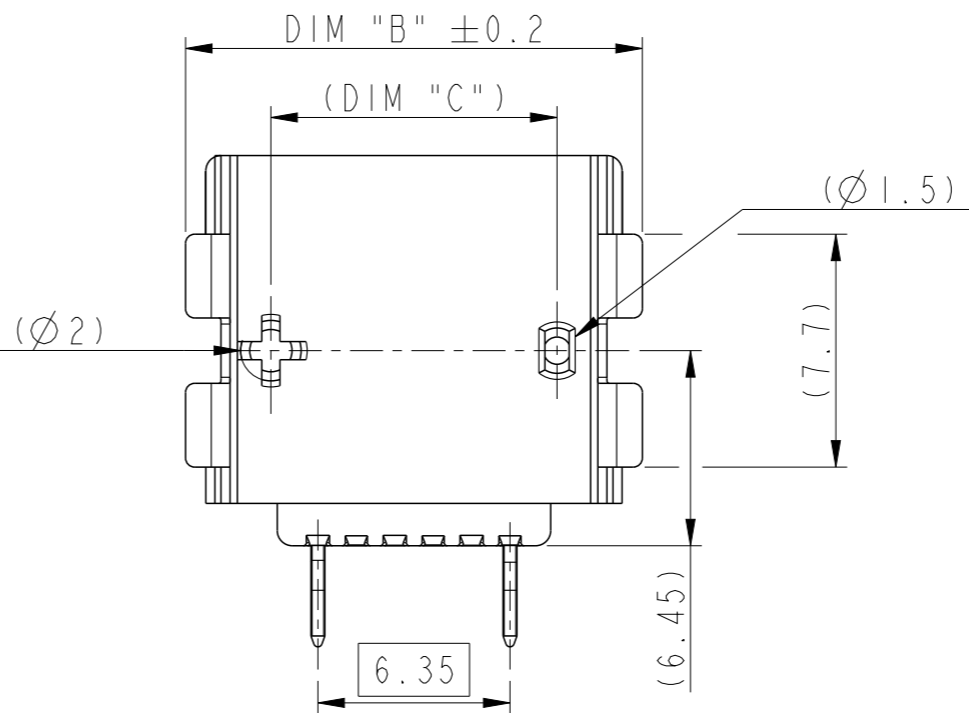
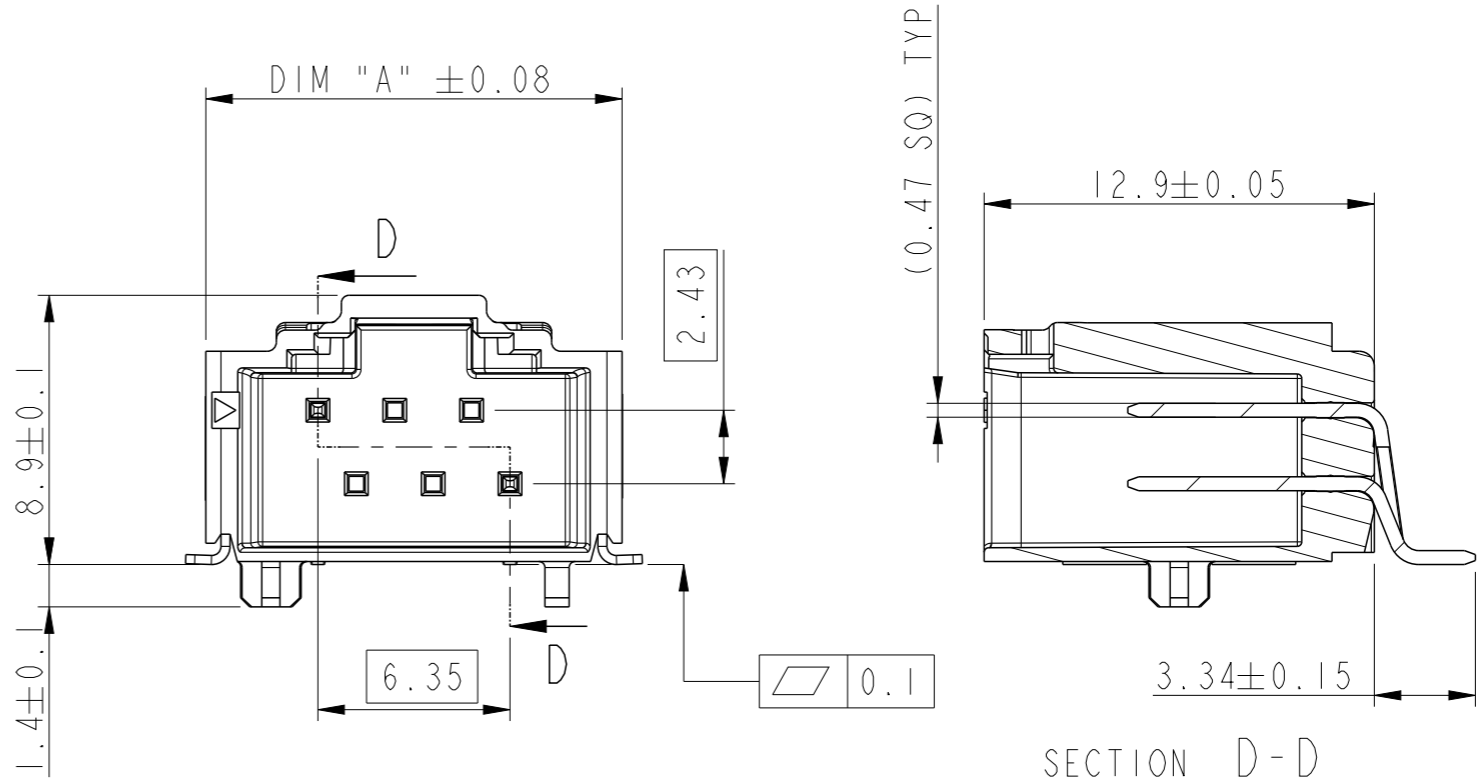
PRODUCT DESCRIPTION CODE :

10170437-1XXZZK\_LF

- RoHS COMPATIBLE, SEE NOTE 5
- FOR CUSTOMER CODE :  
BLANK = GENERAL USE  
V = CUSTOMER DEDICATED PART
- PACKAGING :  
K = TAPE & REEL
- NUMBER OF CONTACTS : SEE TABLE
- NUMBER OF POSITIONS : SEE TABLE
- PLATING :  
1 = 3µm MIN MATTE TIN (PREPLATED)  
2 = 3µm MIN MATTE TIN (POST-PLATED)  
3 = 0.76µm MIN GOLD (CONTACT AREA)  
ALL OVER NICKEL UNDERLAYER

NOTES:

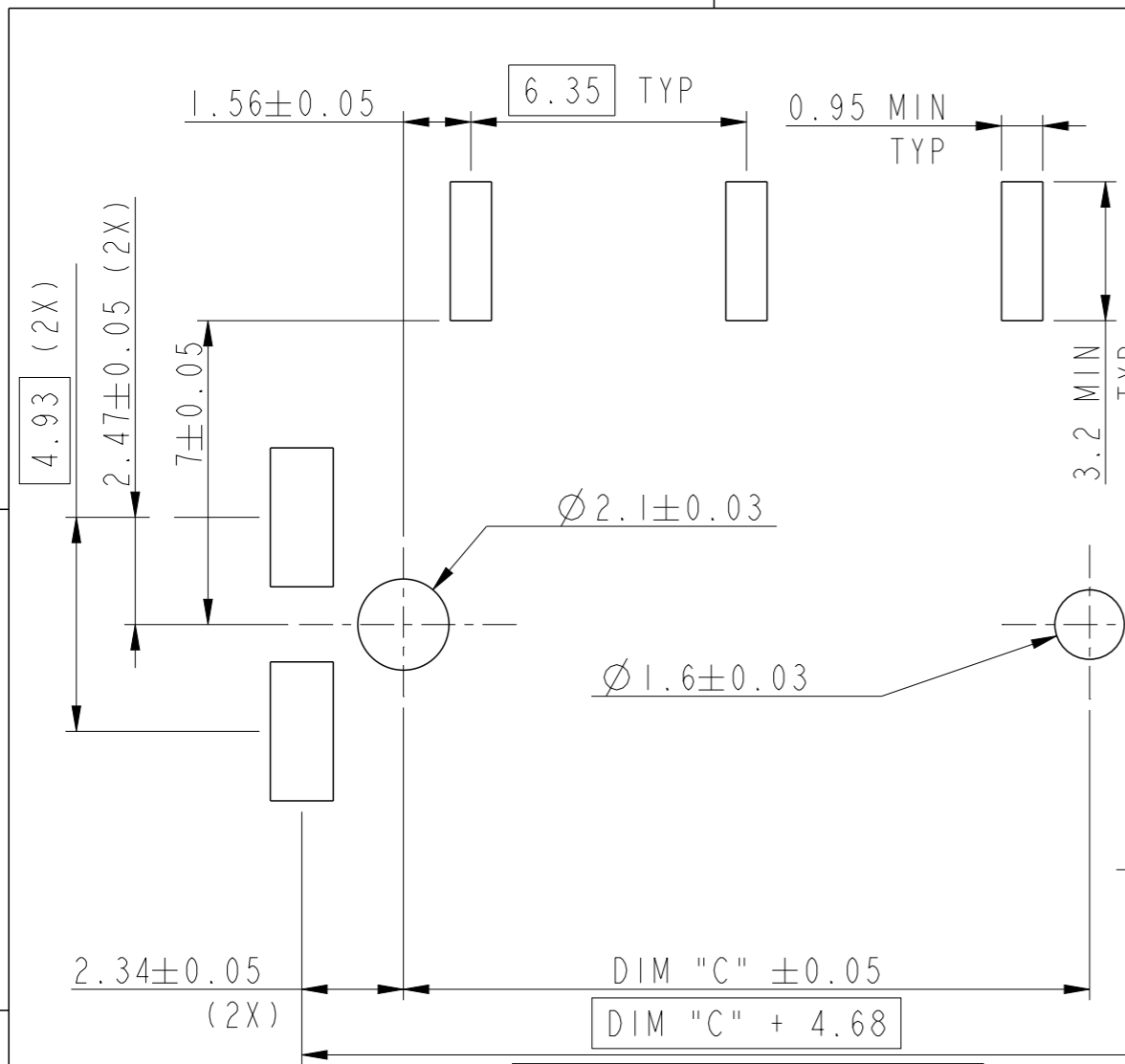
- 1 - MATERIAL:  
HOUSING : HIGH TEMPERATURE THERMOPLASTIC  
COLOR ORANGE (RAL2003) UL94 V-0  
REGRIND < 30%  
PIN : HIGH CURRENT COPPER ALLOY
- 2 - TO BE MATED WITH MINITEK µSPACE HIGH VOLTAGE  
RECEPTACLE SERIES 10170389
- 3 - VOLTAGE UP TO 800V WITH PCB CTI ≥ 600 (Class 1)
- 4 - PRODUCT SPECIFICATION : GS-12-1821  
APPLICATION SPECIFICATION : GS-20-0513  
PACKAGING SPECIFICATION : GS-14-2790
- 5 - RoHS COMPATIBLE PRODUCT SPECIFICATIONS
  - a - PLATING:  
"LF" MEANS THE PRODUCT IS LEAD FREE,  
3µm MINIMUM MATTE TIN OVER 1.27µm MINIMUM  
NICKEL UNDERPLATE.
  - b - MANUFACTURING PROCESS COMPATIBILITY:  
THE HOUSING WILL WITHSTAND EXPOSURE TO 260°C PEAK  
TEMPERATURE FOR 30 SECONDS MAX IN A CONVECTION,  
INFRA-RED OR VAPOR PHASE OR REFLOW OVEN.
  - c - LABELLING :  
MEETS PACKAGING SPECS AS PER GS-14-920
  - d - LEGAL STATEMENT :  
SEE GS-47-0004.



SCALE 3:1

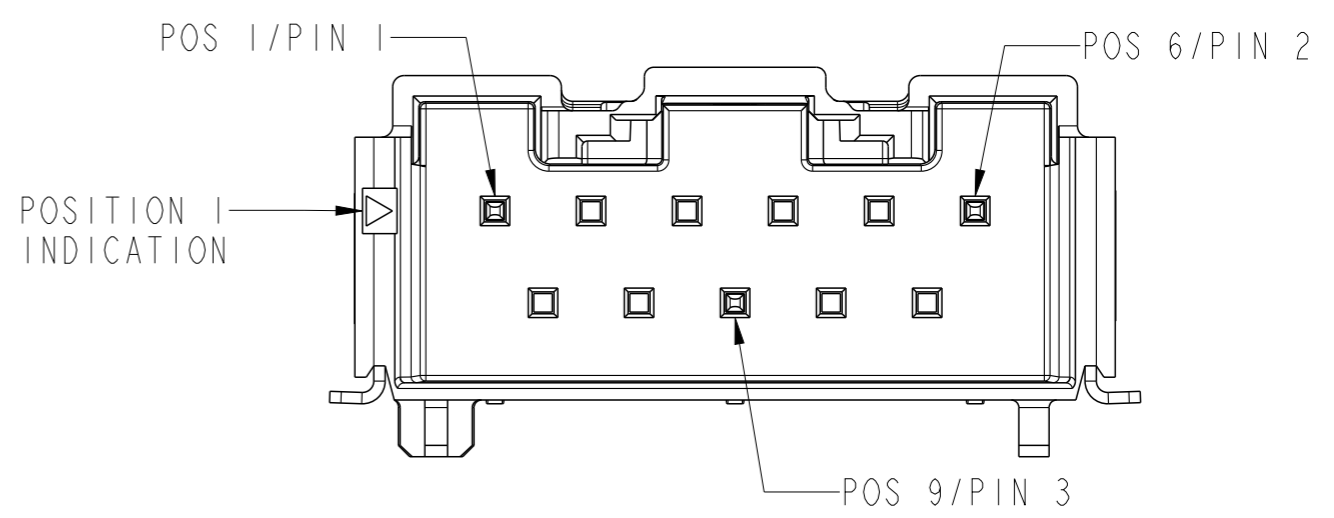
spec ref	GS-12-1821	dr	Huang, Yin-Chi	2023/01/17	projection	mm	size	A3	scale	4:1	
tolerance std	ISO 406 ISO 1101	eng	Moisan, Gwenda	2023/04/05			ecn no	ELX-F-47930-1			
surface	linear	chr	Huang, Yin-Chi	2023/04/05			rel level	Released			
	angular	appr	Vallière, Jérôme	2023/04/05	product family						
		linear	0.X	±0.3		cat. no.	Product - Customer Drw			sheet 1 of 2	
			0.XX	±0.10		dwg no	10170437			rev	B
			0.XXX	±0.005							
			0°	±2°							

PART NO.	AVAILABILITY	NO. OF POSN	NO. OF CONTACT	DIM "A"	DIM "B"	DIM "C"
10170437-10602KLF	ON DEMAND	06	02	13.76	15.09	9.46
10170437-11103KLF	TOOLED	11	03	20.11	21.44	15.81
10170437-11604KLF	ON DEMAND	16	04	26.46	27.79	22.16

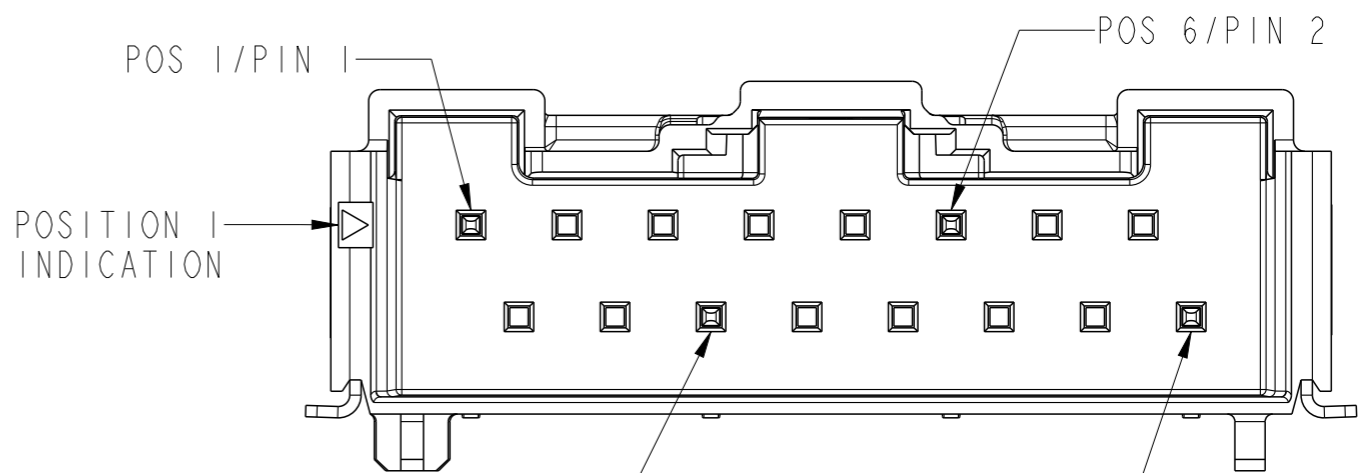


RECOMMENDED PCB LAYOUT  
FOR STENCIL THICKNESS SEE APPLICATION SPEC

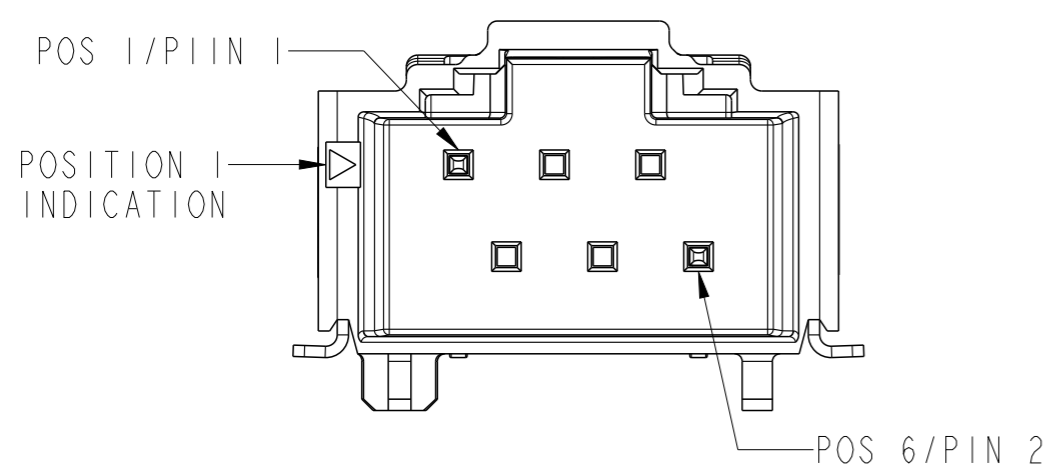
SCALE 6:1



POSITION NUMBER INDICATION FOR 11POS VERSION



POSITION NUMBER INDICATION FOR 16POS VERSION



POSITION NUMBER INDICATION FOR 6POS VERSION

spec ref	GS-12-1821		dr	Huang, Yin-Chi	2023/01/17
tolerance std	TOLERANCES UNLESS OTHERWISE SPECIFIED		eng	Moisan, Gwenda	2023/04/05
ISO 406			chr	Huang, Yin-Chi	2023/04/05
ISO 1101			appr	Vallière, Jérôme	2023/04/05
surface	linear	0.X	±0.3	Amphenol FCi	HEADER ASSEMBLY - 800 V
		0.XX	±0.10		
		0.XXX	±0.005		
ISO 1302	angular	0°	±2°	cat. no.	Product - Customer Drw

projection	mm	size	A3	scale	5:1
product family	← →	ecn no	ELX-F-47930-1		
		rel level	Released		
dwg no	10170437		rev	B	
sheet 2 of 2			sheet 2 of 2		